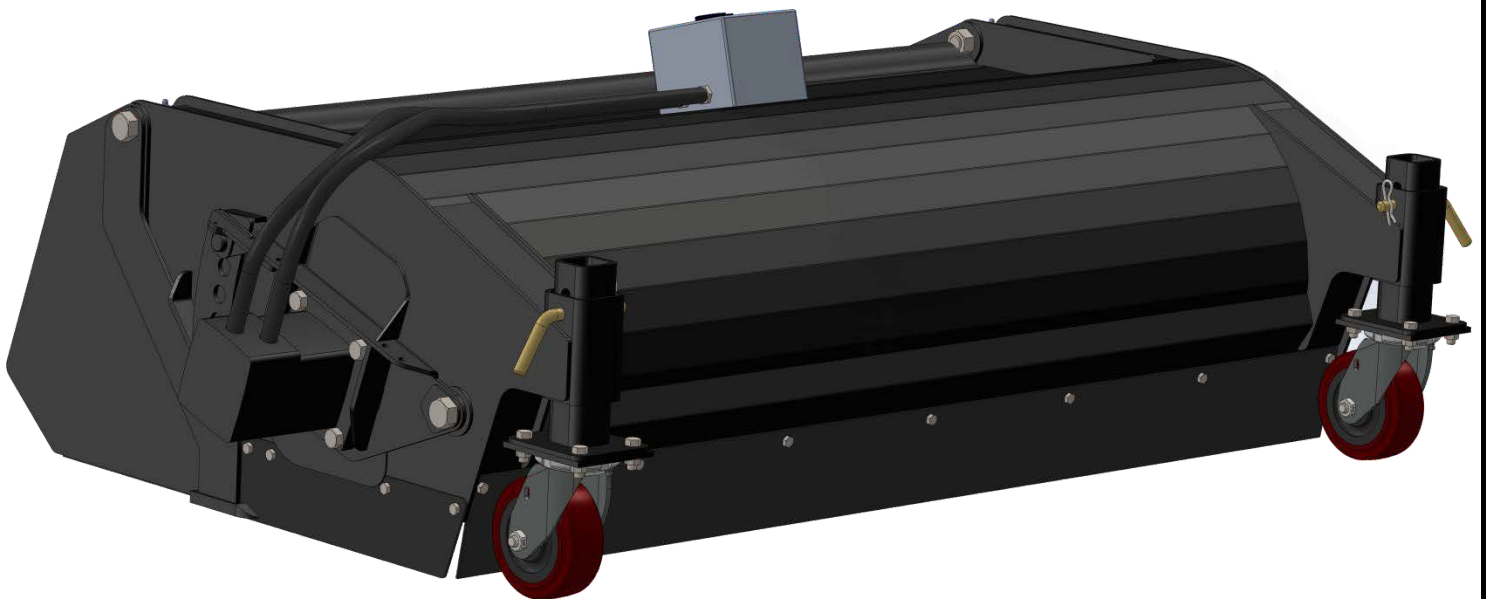




Owner's Manual

MCPUB15 Compact Series Pick-up Sweepers



WWW.SKIDPRO.COM

TABLE OF CONTENTS

| | |
|---|-------|
| Introduction, General Information..... | 3 |
| Owner and Operator Safety Information | 4-6 |
| Specifications | 9-10 |
| Mounting and Setup..... | 11-12 |
| Operation | 13-15 |
| Maintenance..... | 16-21 |
| Grease Points..... | 16-17 |
| Brush head wear adjustment..... | 18-21 |
| Wafer Replacement..... | 22-26 |
| Parts Illustrations..... | 27-31 |
| Trouble Shooting..... | 32 |
| Warranty Policy | 33 |

SKID PRO ATTACHMENTS

807 McKay Ave S.
Alexandria, MN 56308
Phone: 877-378-4642
Email: sales@skidpro.com
Website: www.skidpro.com

INTRODUCTION

Congratulations on your purchase of a new Skid Pro MCPUB15 Series pickup Sweeper. You or any other person, who will be assembling, operating, maintaining, or working with this product are required to read and completely understand the information and instructions contained in this manual. Contact Skid Pro Attachments at 877-378-4642 with any questions about this product. Keep this manual available for reference whenever this product is being handled or used. Provide this manual to any new owners and/or operators. This manual covers model(s):

- All MCPUB15 Series Compact Pick-up Sweepers

GENERAL INFORMATION

The purpose of this manual is to assist in assembling, mounting, operating, and maintaining your MCPUB15 Sweeper. Read this manual carefully to obtain valuable information and instructions that will help you achieve years of safe and dependable service. The illustrations and data used in this manual were current at the time of printing, but due to possible engineering and/or production changes, this product may vary slightly in detail. Skid Pro Attachments reserves the right to redesign and/or change components as may be necessary without notification to anyone.

Throughout this manual, references may be made to:

Power source - The engine-driven machine to which this product is attached.

Right, Left Front, Rear - Directions are determined in relation to the operator of the equipment when seated in the normal operation position.

Important - Precautions that must be followed to prevent substandard performance.

Owner and Operator Safety Information

THINK SAFE, BE SAFE !



This symbol by itself or with a warning word throughout this manual is used to call your attention to instructions involving your personal safety or the safety of others. Failure to follow these instructions can result in injury or death



DANGER - This signal word is used where serious injury or death will result if the instructions are not followed properly.



WARNING - This signal word is used where serious injury or death could result if the instructions are not followed properly.



CAUTION - This signal word is used where minor injury could result if the instructions are not followed properly.



NOTICE - Notice indicates a property damage message

SAFETY PRECAUTIONS



WARNING! Read Manual Prior to Installation

Improper installation, operation, or maintenance of this equipment could result in serious injury or death. Operators and maintenance personnel should read this manual, as well as all manuals related to the Power Source before beginning installation, operation, or maintenance.



WARNING! Read and Understand All Safety Statements

Read all safety decals and safety statements in all manuals prior to operating or working on this equipment. Know and obey all O.S.H.A. regulations, local laws, and other professional guidelines for your operation. Know and follow safe work practices when assembling, maintaining, repairing, mounting, removing, or operating this product.



WARNING! Know Your Equipment

Know your equipment's capabilities, controls and operations before operating. Visually inspect your equipment before you start, and never operate equipment that is not in proper working order with all safety devices intact. Check all hardware to ensure it is tight. Make certain that all locking pins, latches, and connection devices are properly installed and secured. Remove and replace any damaged, fatigued, or excessively worn parts. Make certain all safety decals are in place and are legible. Keep decals clean, and replace them if they are hard to read.



WARNING! Protect Against Flying Debris

Always wear proper safety glasses, goggles or a face shield when driving pins in or out, or when any operation causes dust, flying debris, or any other hazardous material.



WARNING! Lower or Support Raised Equipment

Lower attachment to the ground before leaving operator's station. Do not work under raised booms without taking the proper action to support them, or lower booms to ground level.



WARNING! Use Care When Working With Hydraulic Fluid Pressure

Hydraulic fluid under pressure can penetrate the skin and cause serious injury or death. Hydraulic leaks under pressure may not be visible. Before connecting or disconnecting hydraulic hoses, read your Power Source operator's manual for detailed instructions on connecting and disconnecting hydraulic hoses or fittings.

- Keep unprotected body parts, such as face, eyes, and arms as far away as possible from a suspected leak. Flesh injected with hydraulic fluid may develop gangrene or other permanent disabilities.
- If injured by fluid, see a doctor at once.
- Wear safety glasses, protective clothing when searching for hydraulic leaks. **DO NOT USE YOUR HANDS!**

SAFETY PRECAUTIONS



WARNING! DO NOT MODIFY MACHINE OR ATTACHMENTS

Modifications may weaken the integrity of the attachment and may impair the function, safety, life, and performance of the attachment. When making repairs, use only the manufacturer's genuine parts, following authorized instructions. Other parts may be substandard in fit and quality. Contact Martatch Attachments before modifications are made.



WARNING! SAFELY MAINTAIN AND REPAIR EQUIPMENT

- Do not wear loose clothing, or any accessories that can catch in moving parts.
- If you have long hair, cover or secure it so that it does not become entangled in the equipment.
- Work on a level surface in a well-lit area.
- Use the correct tool for the job at hand. Make sure they are in good condition for the task required.
- Wear the protective equipment specified by the tool manufacturer. (i.e. safety glasses, work gloves, protective shoes, hardhat etc.).



WARNING! SAFELY OPERATE EQUIPMENT

Do not operate equipment until you are completely trained by a qualified operator in how to use the controls, know its capabilities, and all safety requirements. See Power Source manual for these instructions.

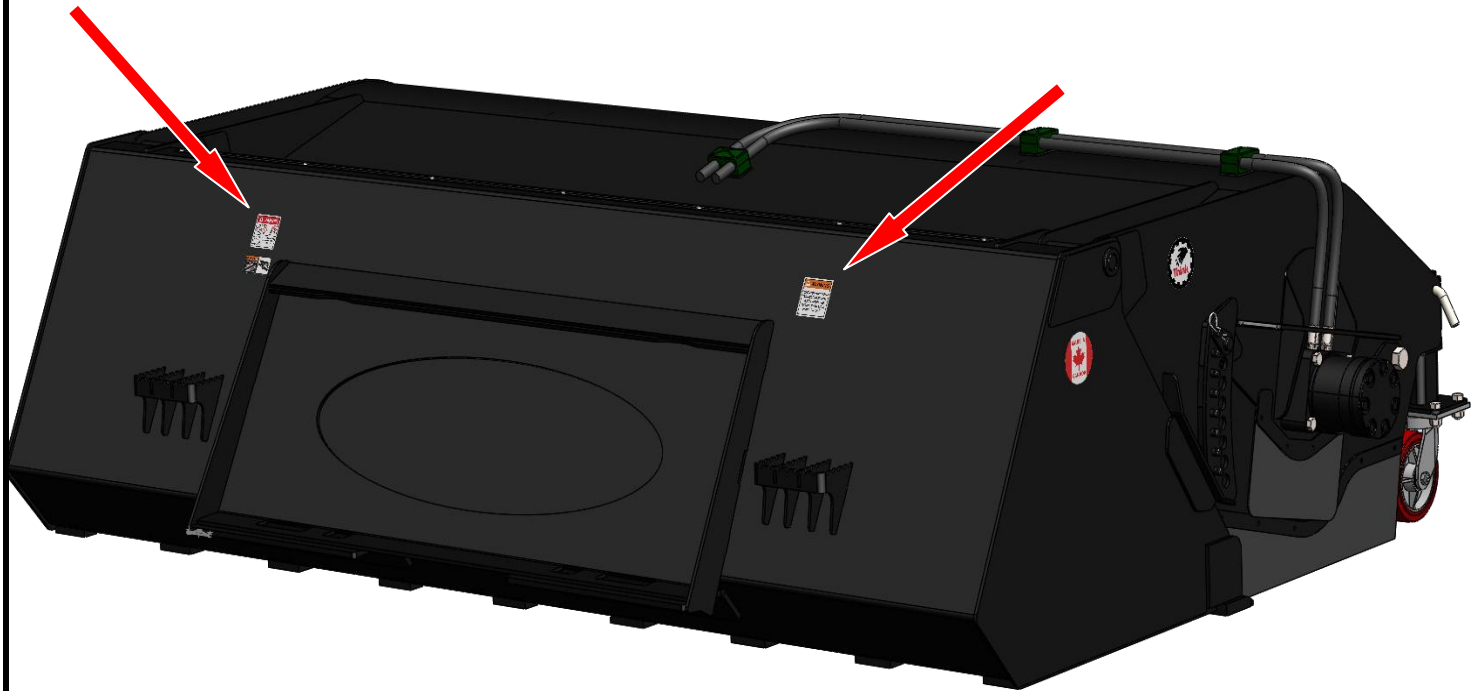
- Keep all step plates, grab bars, pedals, controls, etc. free of dirt, grease, debris, and oil.
- Never allow anyone to be around the equipment when it is operating..
- Do not allow riders on the attachment or the Power Source.
- Do not operate the equipment from anywhere other than the correct operators position.
- Never leave equipment unattended with the engine running or with attachment in a raised position.
- Do not alter or remove any safety feature from the Power Source or this attachment.
- Know your work site safety rules as well as traffic rules and flow. When in doubt on any safety issue, contact your supervisor or safety coordinator for an explanation.

SAFETY DECALS AND LOCATION

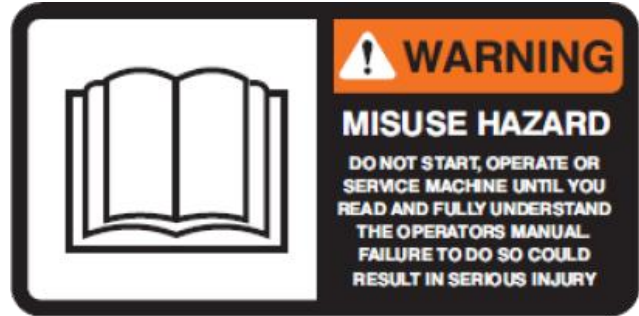
The diagram on this page shows the location of the decals. The decals are identified by their part numbers, with reductions of the actual decals located on the next page. Use this information to order replacements for lost or damaged decals. Be sure to read all decals before operating the attachment. They contain information you need to know for both safety and product longevity.

INSTRUCTIONS

- Keep all safety decals clean and legible.
- Replace all missing or damaged safety decals.
- When replacing parts with safety decals attached, new parts must also have safety decals attached.
- Safety decals are available from Skid Pro Attachments.



MCPUB15 SERIES - SAFETY DECALS



*Some of these decals may not appear on your specific attachment

POWER SOURCE SPECIFICATIONS



IMPORTANT - Exceeding any of the maximum recommended power source specifications can result in damage to this product and void all warranties.

Recommended HP on Power Source

- MCPUB15 - Series pickup Sweepers are recommended for use with 30 - 75 HP Machines

Hydraulic specifications

- Hydraulic Flow Rating of Motor 12 to 22 GPM
- **Maximum** Hydraulic Pressure 4,000 psi

To maintain required Power Source stability add Rear Counterweights.

Note: - See Power Source manuals for correct weight needed.

DO NOT EXCEED MAXIMUM WEIGHT LIMIT.

MCPUB15 PICK UP SWEEPER SPECIFICATIONS

| Model | Overall Width | Overall Height | Replacement Wafers (Qty.) | Shipping Weight | HP Rating |
|------------------|---------------|----------------|---------------------------|-----------------|-----------|
| MCPUB1548-MSS100 | 60" | 19.5" | 42 Flat+41 Spacers | 420Lbs | 30 - 75 |
| MCPUB1548-BO463 | 60" | 19.5" | 42 Flat+41 Spacers | 445Lbs. | 30 - 75 |
| MCPUB1560-MSS100 | 75" | 19.5" | 53 Flat+52 Spacers | 1045Lbs. | 30 - 75 |
| MCPUB1560-BO463 | 81" | 19.5" | 53 Flat+52 Spacers | 1100Lbs. | 30 - 75 |

BOLT TORQUE SPECIFICATIONS

| Diameter (Inches) | Wrench Size | MARKING ON BOLT HEAD | | | | | |
|----------------------|----------------|----------------------|-----|--------|-----|--------|------|
| | | SAE 2 | | SAE 5 | | SAE 8 | |
| | | lbs-ft | N-m | lbs-ft | N-m | lbs-ft | N-m |
| 1/4" | 7/16" | 6 | 8 | 10 | 13 | 14 | 18 |
| 5/16" | 1/2" | 12 | 17 | 19 | 26 | 27 | 37 |
| 3/8" | 9/16" | 23 | 31 | 35 | 47 | 49 | 67 |
| 7/16" | 5/8" | 36 | 48 | 55 | 75 | 78 | 106 |
| 1/2" | 3/4" | 55 | 75 | 85 | 115 | 120 | 163 |
| 9/16" | 13/16" | 78 | 106 | 121 | 164 | 171 | 232 |
| 5/8" | 15/16" | 110 | 149 | 170 | 230 | 240 | 325 |
| 3/4" | 1-1/8" | 192 | 261 | 297 | 403 | 420 | 569 |
| 7/8" | 1-5/16" | 306 | 416 | 474 | 642 | 669 | 907 |
| 1" | 1-1/2" | 467 | 634 | 722 | 979 | 1020 | 1383 |

| Diameter & Thread Pitch (Inches) | Wrench Size | FINE THREAD MARKING ON HEAD | | | |
|--|----------------|--------------------------------|--------|-------------|--------|
| | | Metric 8.8 | | Metric 10.9 | |
| | | N-m | lbs-ft | N-m | lbs-ft |
| | | 6 x 1.00 | 10 mm | 8 | 9 |
| 8 x 1.00 | 13 mm | 21 | 16 | 29 | 22 |
| 10 x 1.25 | 16 mm | 41 | 30 | 57 | 42 |
| 12 x 1.25 | 18 mm | 75 | 55 | 103 | 76 |
| 14 x 1.50 | 21 mm | 118 | 87 | 163 | 120 |
| 16 x 1.50 | 24 mm | 181 | 133 | 250 | 184 |
| 18 x 1.50 | 27 mm | 263 | 194 | 363 | 268 |
| 20 x 1.50 | 30 mm | 367 | 270 | 507 | 374 |
| 22 x 1.50 | 34 mm | 495 | 365 | 684 | 505 |
| 24 x 2.00 | 36 mm | 623 | 459 | 861 | 635 |
| 30 x 2.00 | 46 mm | 1258 | 928 | 1740 | 1285 |

| Diameter & Thread Pitch (Inches) | Wrench Size | COARSE THREAD MARKING ON HEAD | | | |
|--|----------------|----------------------------------|--------|-------------|--------|
| | | Metric 8.8 | | Metric 10.9 | |
| | | N-m | lbs-ft | N-m | lbs-ft |
| | | 6 x 1.00 | 10 mm | 8 | 9 |
| 8 x 1.25 | 13 mm | 20 | 15 | 27 | 20 |
| 10 x 1.50 | 16 mm | 39 | 29 | 54 | 40 |
| 12 x 1.75 | 18 mm | 68 | 50 | 94 | 70 |
| 14 x 2.00 | 21 mm | 109 | 80 | 151 | 111 |
| 16 x 2.00 | 24 mm | 169 | 125 | 234 | 173 |
| 18 x 2.50 | 27 mm | 234 | 172 | 323 | 239 |
| 20 x 2.50 | 30 mm | 330 | 244 | 457 | 337 |
| 22 x 2.50 | 34 mm | 451 | 332 | 623 | 460 |
| 24 x 3.00 | 36 mm | 571 | 421 | 790 | 583 |
| 30 x 3.00 | 46 mm | 1175 | 867 | 162 | 1199 |

MOUNTING & SET UP



WARNING! - READ MANUAL PRIOR TO INSTALLATION

Improper installation, operation, or maintenance of this equipment could result in serious injury or death. Operators and maintenance personnel should read this manual, as well as all manuals related to this equipment and the Power Source thoroughly before beginning installation, operation, or maintenance. **FOLLOW ALL SAFETY INSTRUCTIONS IN THIS MANUAL AND THE POWER SOURCE MANUAL(S).**

1. Inspect the attachment for shipping damage. If damage does exist, do not operate until the damaged parts have been replaced or repaired.
2. Place this product on a firm, level surface that is large enough to safely accommodate this product, your prime mover and all workers involved in the mounting process.
3. Refer to the Power Source operator's manual(s) for your loader and quick-attach and follow the mounting instructions contained therein.
4. When shipped the hydraulic hoses on this product may contain air, or an air-fluid mixture. Failure to remove all the air from the hydraulic hoses can cause uneven, jerky movement when the hydraulic controls are being operated and unwanted movement when the controls are not being operated.

*See Maintenance section for annual maintenance and Wafer replacement.

MOUNTING & SET UP (CONT.)



READ AND UNDERSTAND ALL SAFETY STATEMENTS

Read all safety decals and safety statements in all manuals before beginning any setup. Know and obey all O.S.H.A. regulations, local laws, and other professional guidelines for your operation. Know and follow good work practices when assembling, maintaining, repairing, mounting, removing, or operating this equipment.

- **WARNING!** Failure to obey the following procedures could result in death or serious injury.
- Never operate this product where visibility is obstructed the operated view.
- Always operate at a safe operating speed for the surrounding conditions.
- **IMPORTANT** - Striking objects or sweeping materials other than aggregate can result in damage to this product and may void warranties.

Set up

1. Complete mounting procedure as specified on previous page.
2. Connect hydraulic hoses with quick couplers to available ports.
3. Adjust casters to desired sweeping aggressiveness



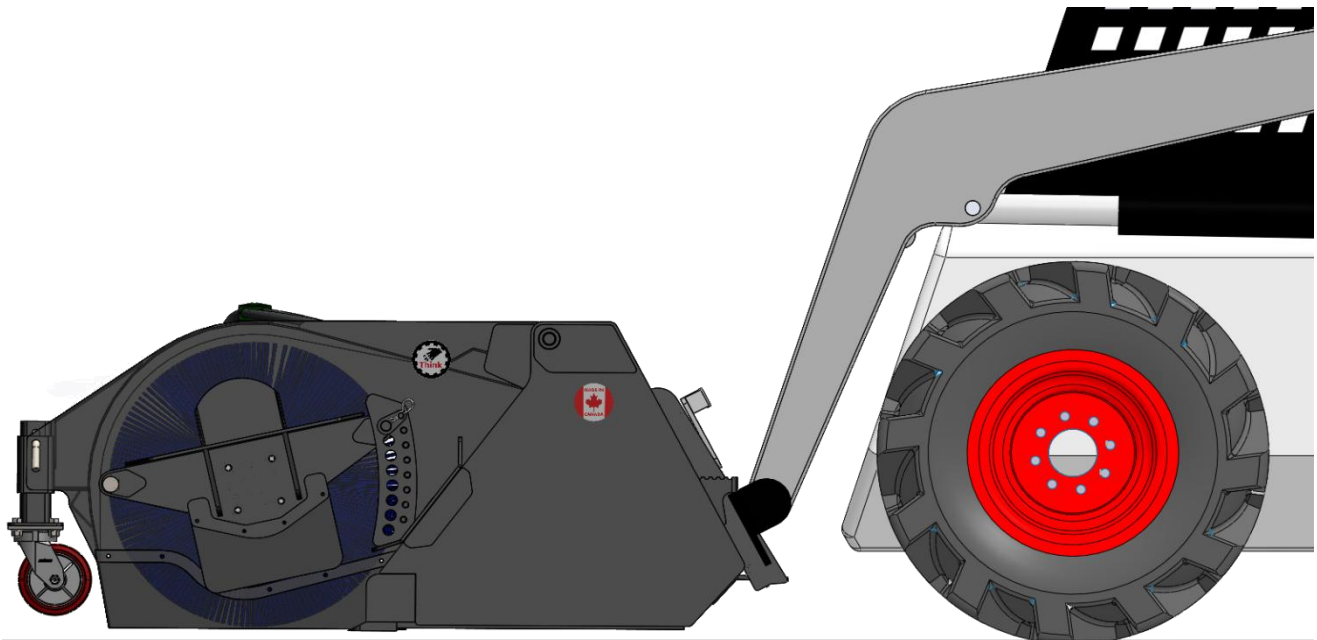
PICKUP SWEEPER OPERATION

Basic operation

With the mounting and set up done, you are ready to use your sweeper.

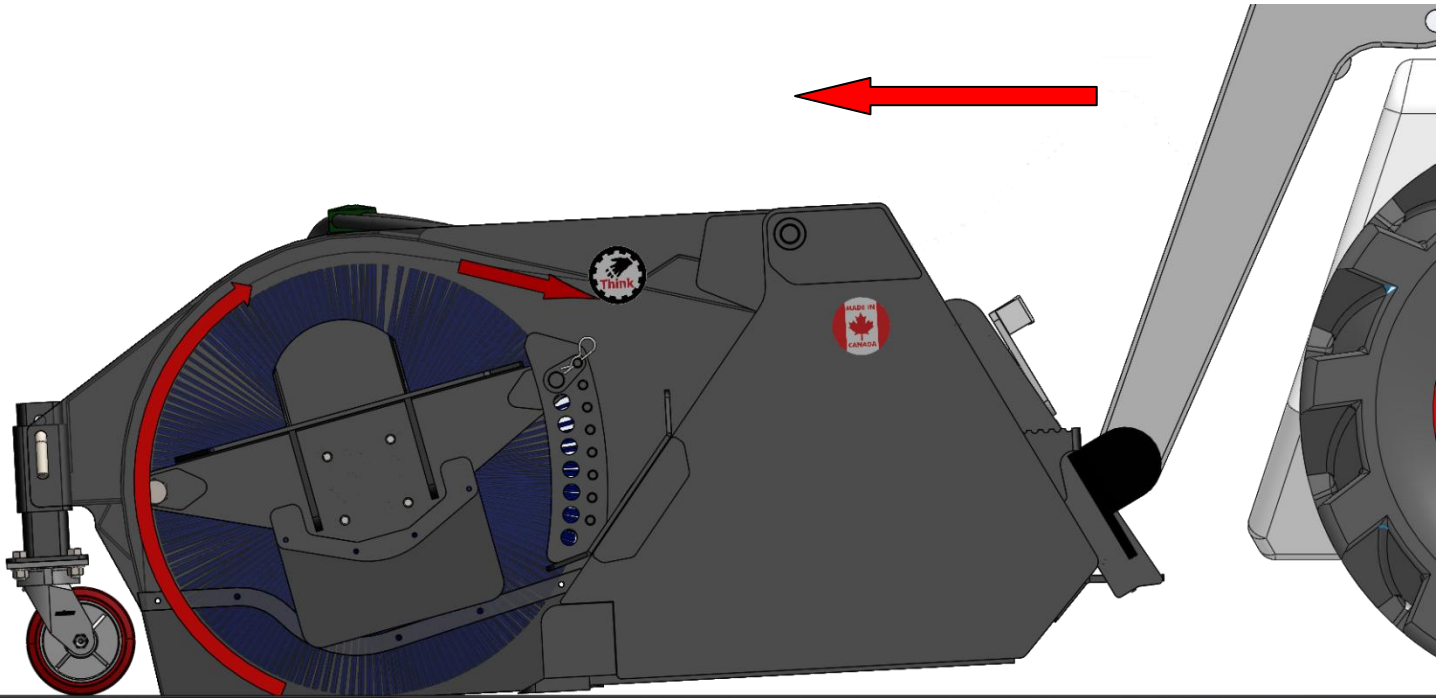
The MCPUB15 has bi-directional rotation and is equipped with adjustable front casters. Some trial and error may be required before finding the setting that works best for the tilt angle of your bucket and desired aggressiveness. Preferences may vary from user to user.

1. Begin with sweeper slightly above the ground before engaging sweeper brush.

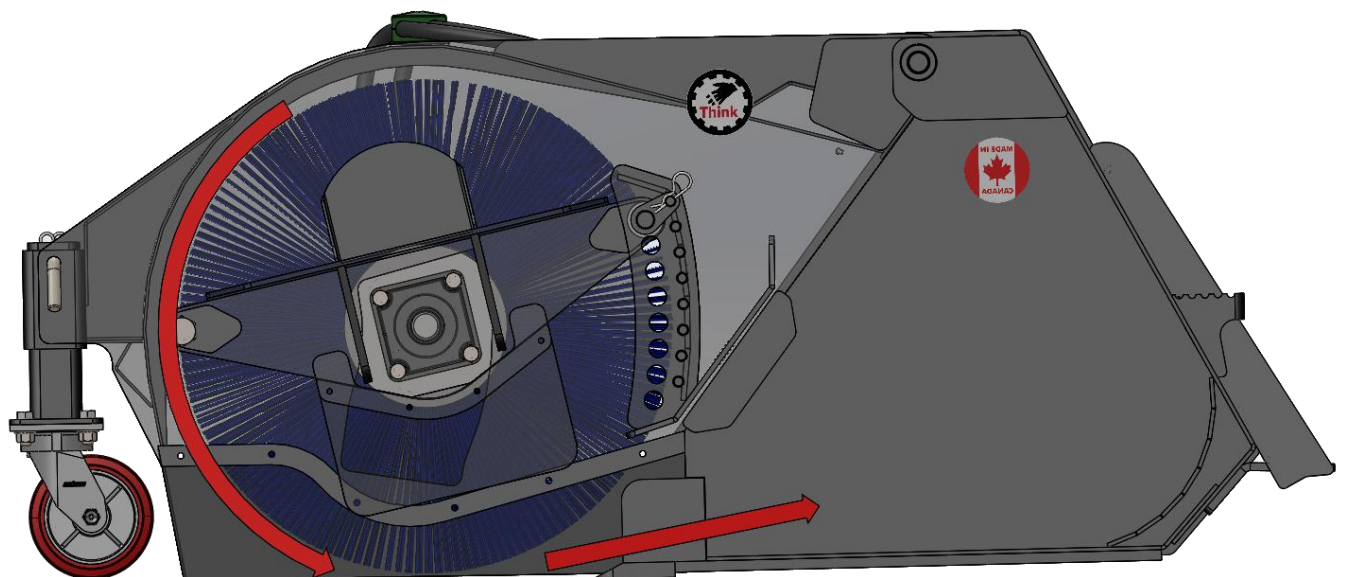


PICKUP SWEEPER OPERATION (cont.)

- Engage the sweeper brush & tilt bucket forward onto casters until brush makes contact with the ground and bucket is level or slightly tilted forward. Driving forward will send dirt & debris up and around the shroud and into the bucket.



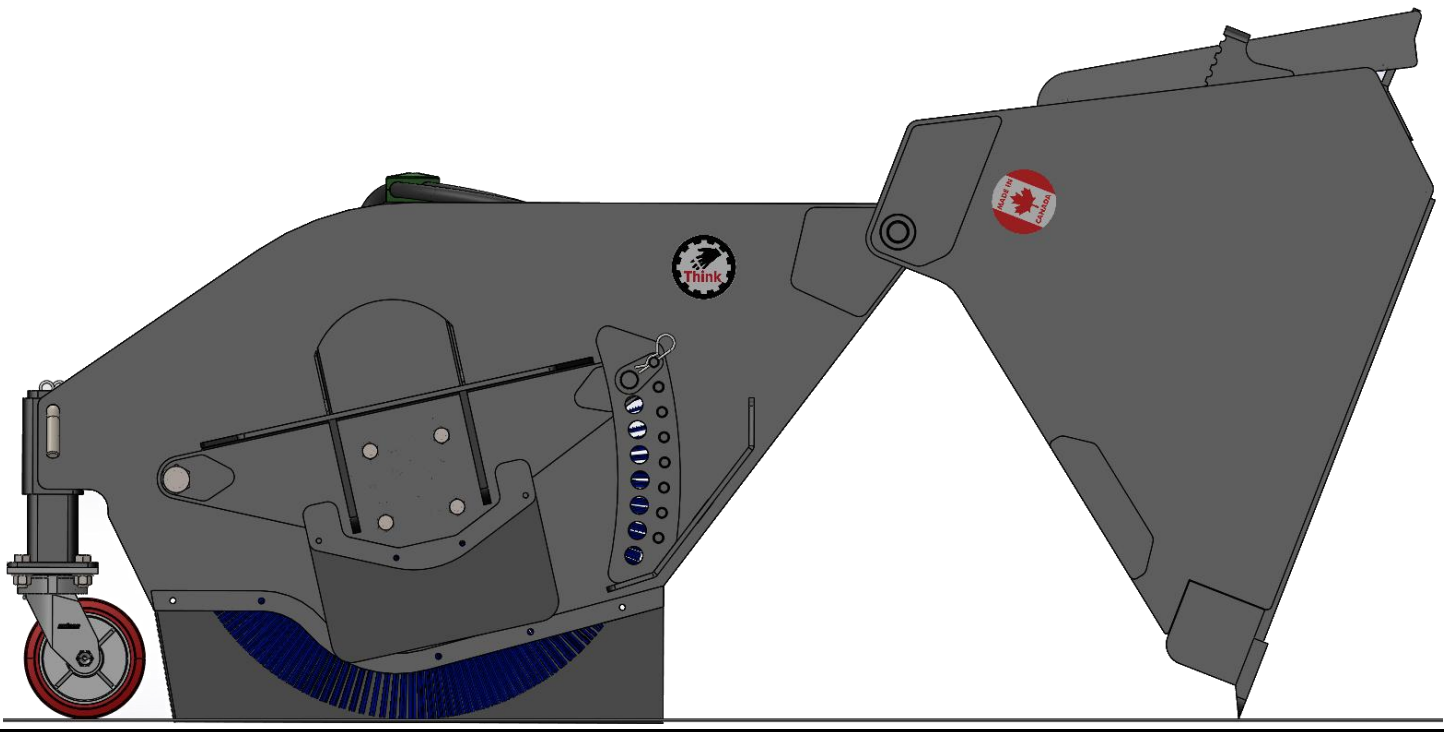
*Note - Alternatively, the rotation of the brush may be reversed to send dirt & debris directly into the bucket.



PICKUP SWEEPER OPERATION (cont.)

Dumping the bucket

1. Stop rotation of the sweeper brush
2. Pick up the sweeper and drive to desired dumping location.
3. Place sweeper flat on ground.
4. Tilt unit until resting on the casters.
5. Lift boom and tilt plate to allow bucket cutting edge to be tilted or perpendicular to the ground.
6. Raise sweeper over pile & drive to next sweeping location.



MAINTENANCE

This section covers regular maintenance. Regular maintenance is required to insure that your rotary sweeper performs as it should and stays in good operating condition.

BEFORE EACH USE

- Make sure that all other fasteners are in place and are performing their specified function.
- Make sure that all hydraulic fittings are tightened and that there are no leaks in any fittings or hoses.
- Make sure that all safety decals are in place, are clean, and are legible. (See the safety decals and location)
- Check all wear parts, replace any damaged or excessively worn parts.
- Apply grease at grease points if necessary (See below)

GREASE POINTS

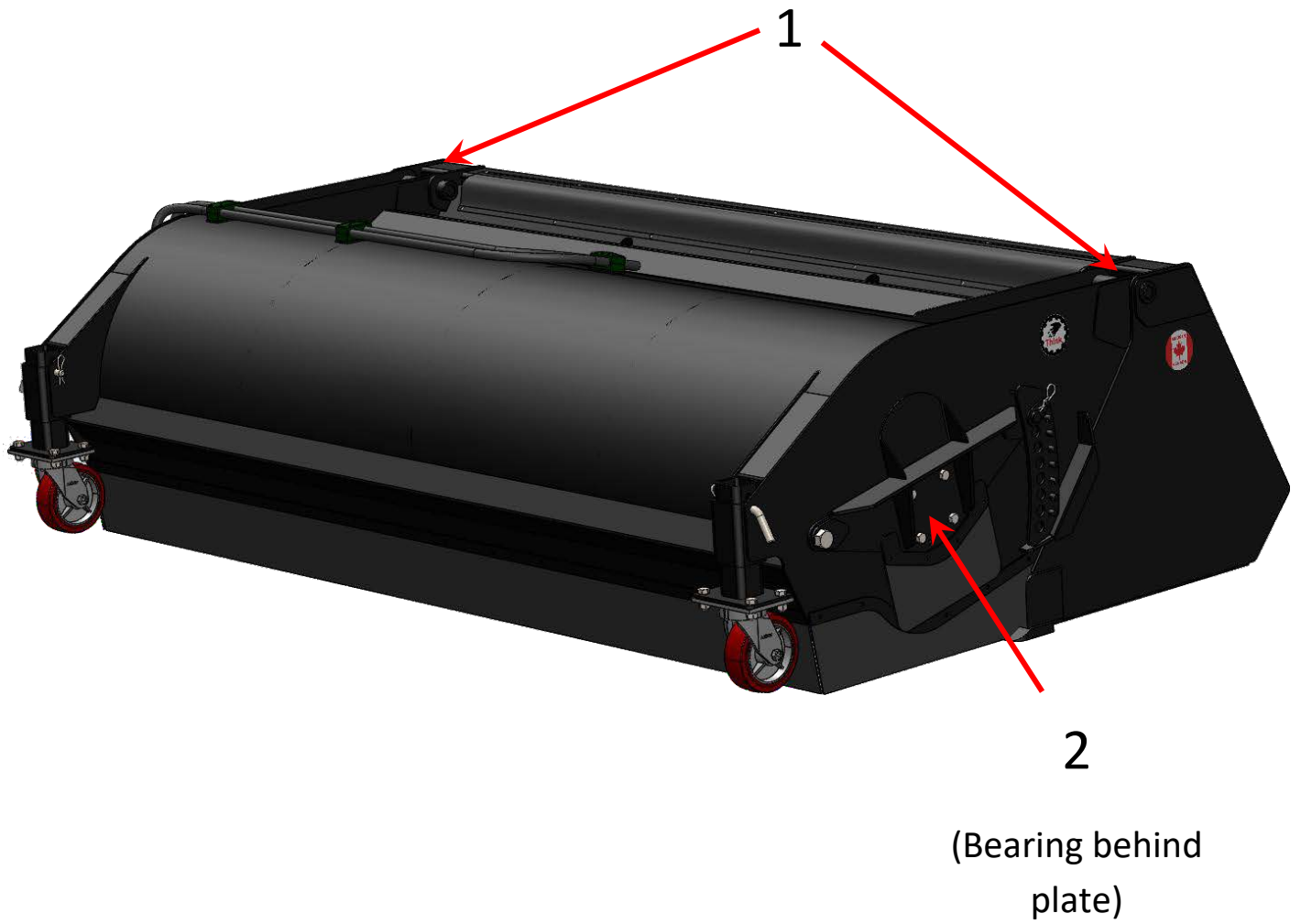
Grease points are usually equipped with a grease nipple; via a greaseable pin or Bushing. Grease should be checked after every 20 hours of use. Always check to may sure that all components at grease points are moving with ease and there is no friction or visible rust forming.

Grease points will be found in the following locations.

(As shown in the diagram on the next page)

- 1. At each hinge pin**
- 2. At brush head end plate (bearing inside)**

GREASE POINT DIAGRAM

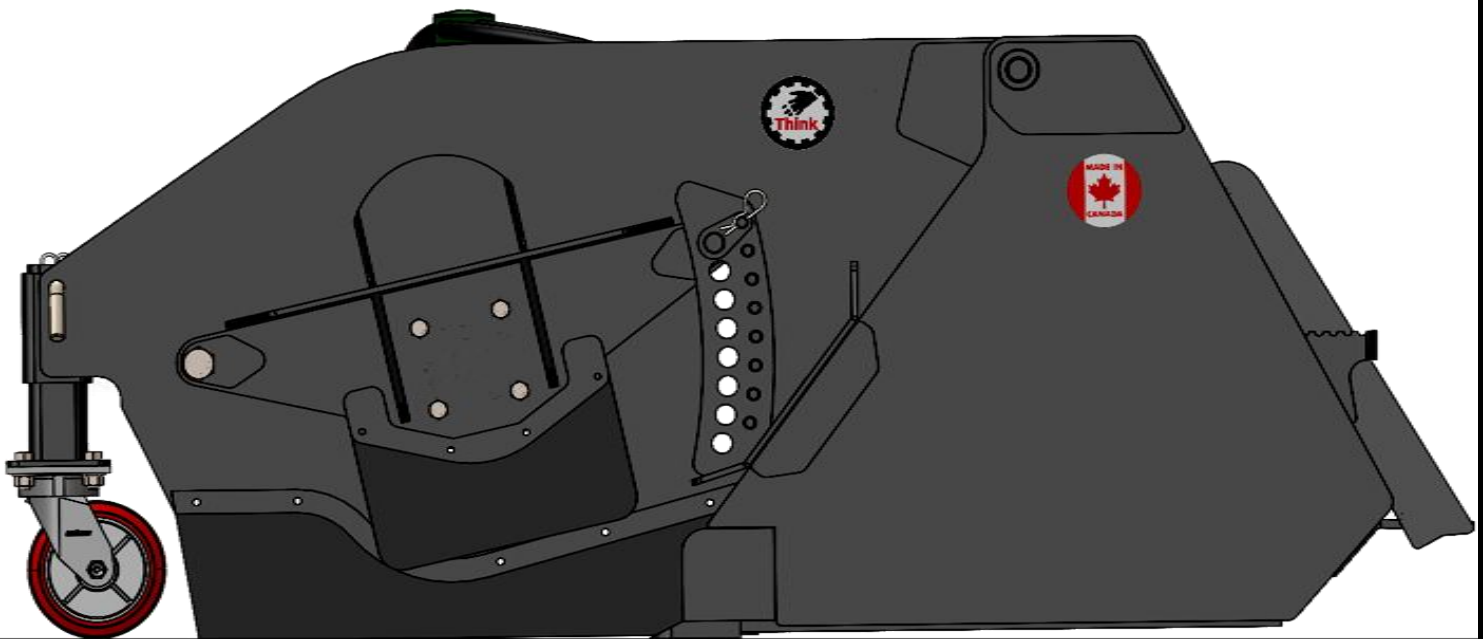


MAINTENANCE (Cont.)

Brush head wear and adjustment

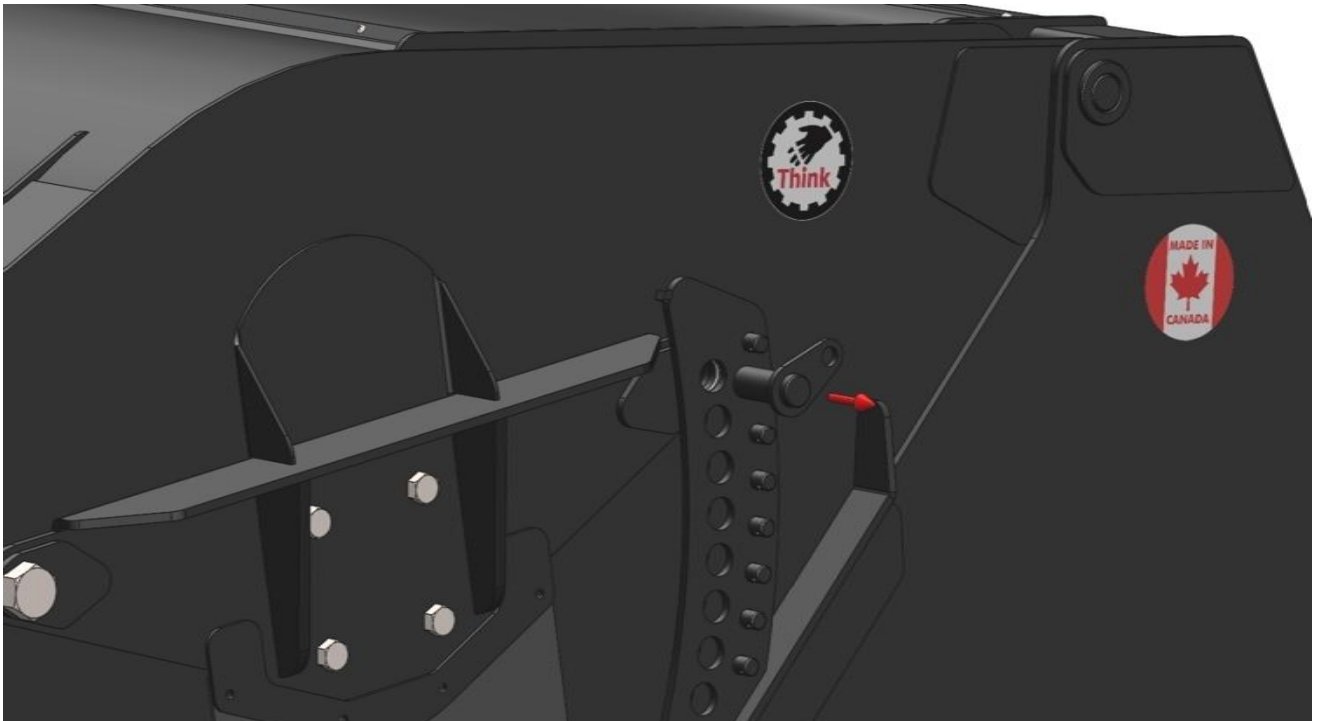
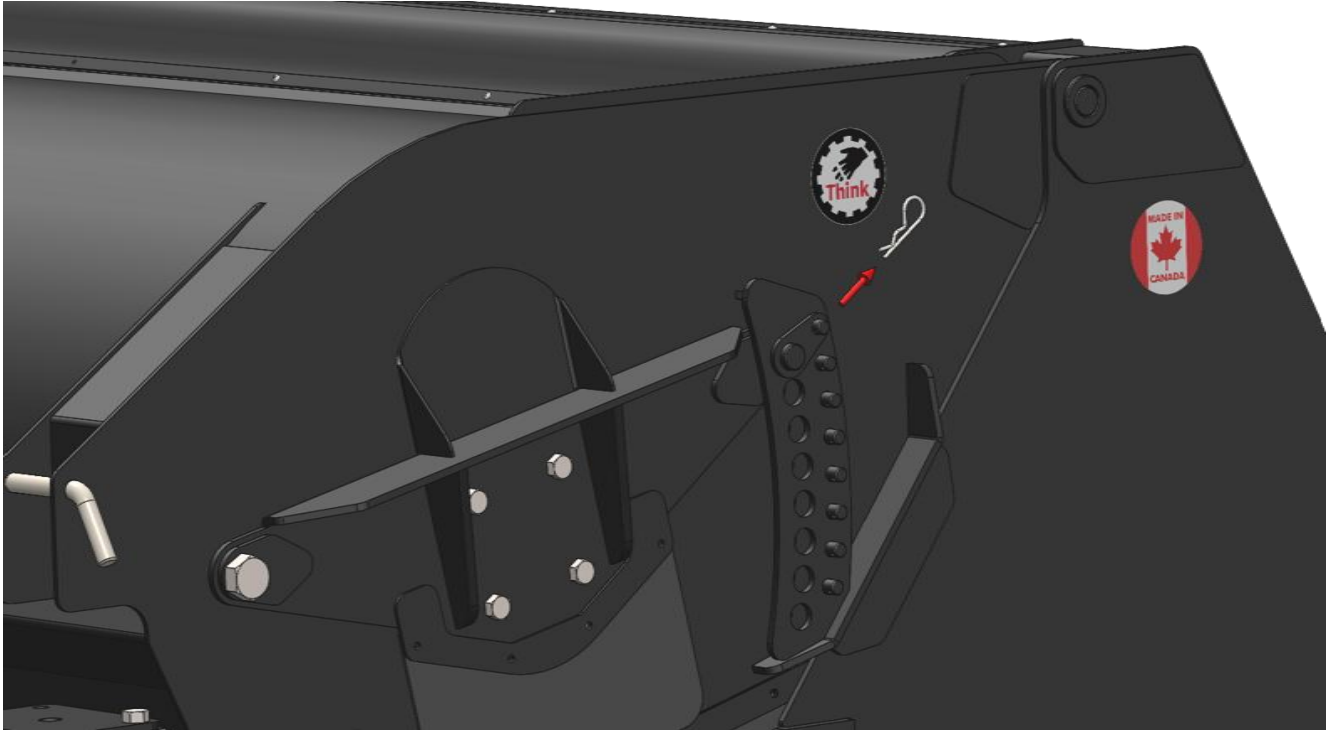
After some use, the brush head wafers will get worn and the factory setting for the height of the brush head will be too high to contact the ground. In this case you will need to lower the brush head to a new setting. Follow the instructions below to lower the brush head.

1. Place the sweeper unit on a flat surface.



MAINTENANCE (Cont.)

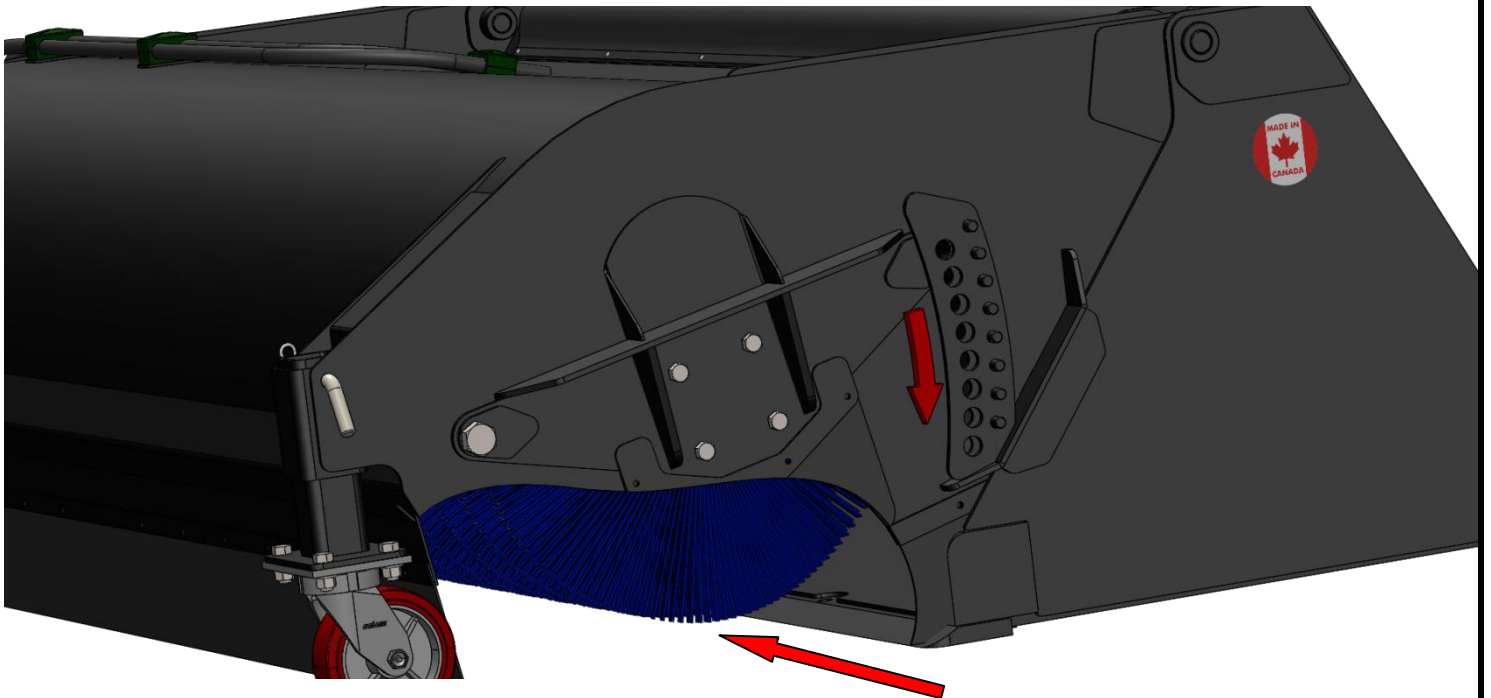
2. Locate & remove hitch pin clip and remove adjustment pin.



MAINTENANCE (Cont.)

Brush head wear and adjustment (Cont.)

3. Once the pins have been removed, the entire brush head will be free to drop down to the desired new setting.



4. Allow the brush head to rest on the ground. Replace pin in the next hole that will allow the brush to make contact with the ground.

* Note - unit may need to be lifted slightly in order for pin to line up with the proper hole for the new adjustment.

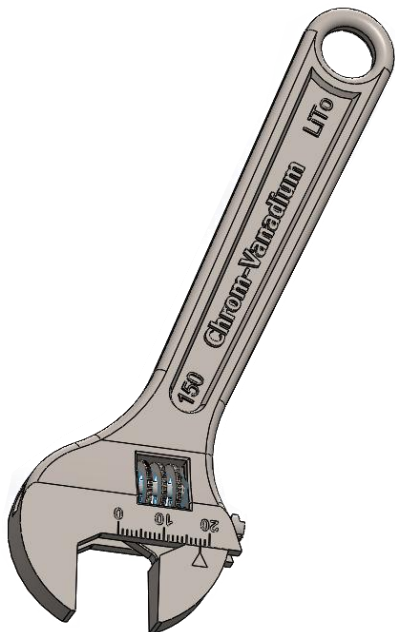
MAINTENANCE (Cont.)

WAFER REPLACEMENT

After some time, the brushes on your MCPUB15 will get worn. At which point it is time to replace them. This is normal and expected after significant use. The brushes on the brush head are made up of wafers. The total of replacement wafers is noted in the specification section (Pg. 10) of this manual for specific model lengths. The following steps will guide you through the wafer replacement process.

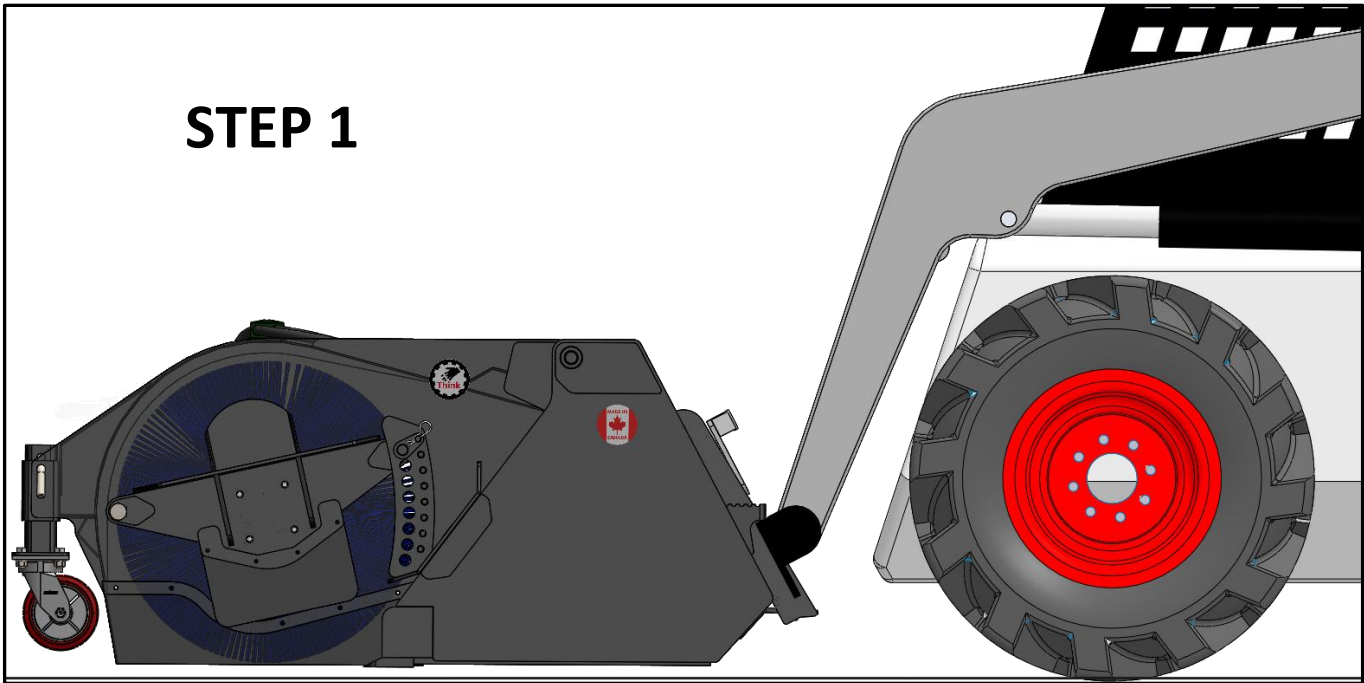
Tools Required -

- **Cordless Drill or equivalent**
- **Socket(s) & driver adapter**
- **Combination wrenches or Adjustable wrench**

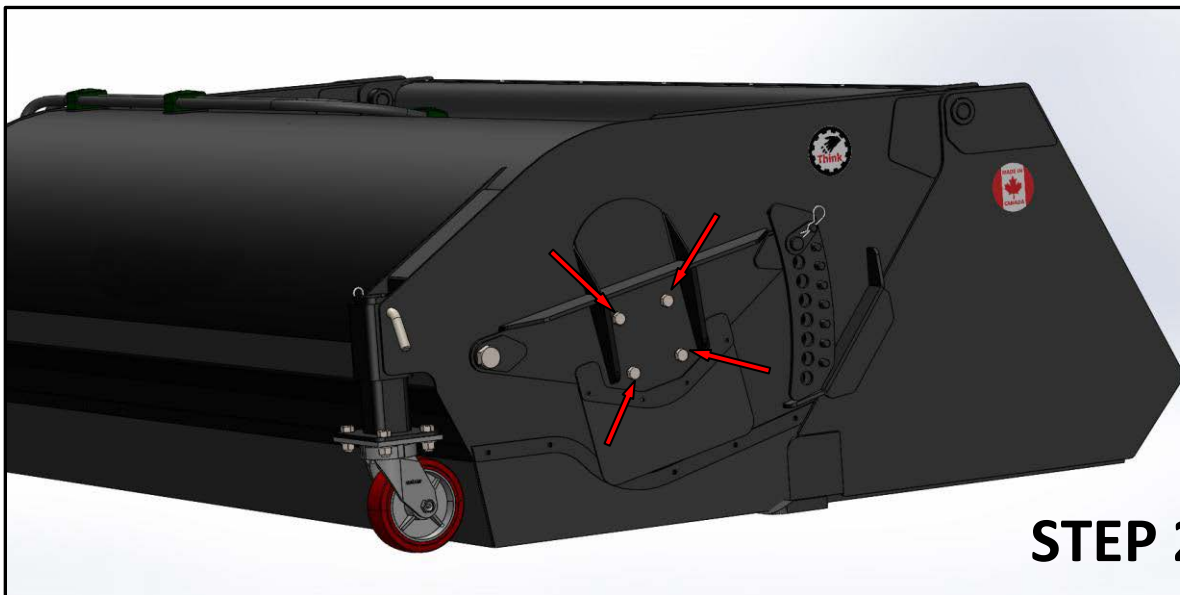


WAFER REPLACEMENT (Cont.)

STEP 1



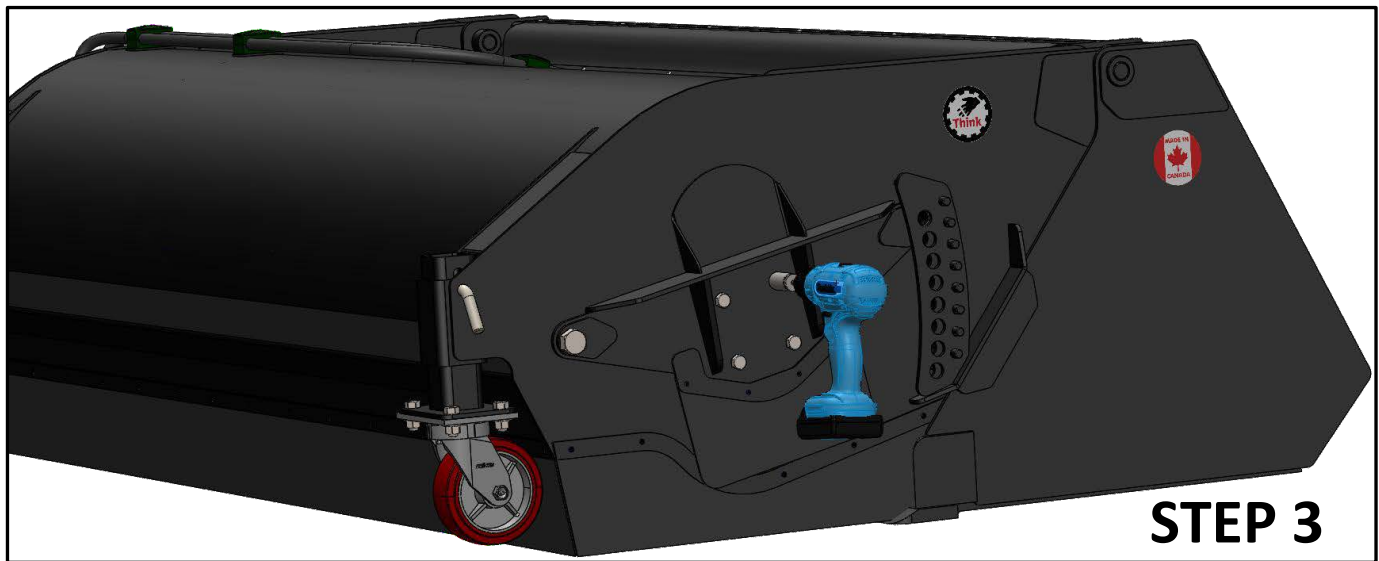
Mount sweeper as detailed on Pg. 13-14. Position the sweeper on an even surface so that it is resting on the casters and the brush head is elevated roughly 1/2" above the ground. Allowing a little space will prevent any tension during the removal of the brush head.



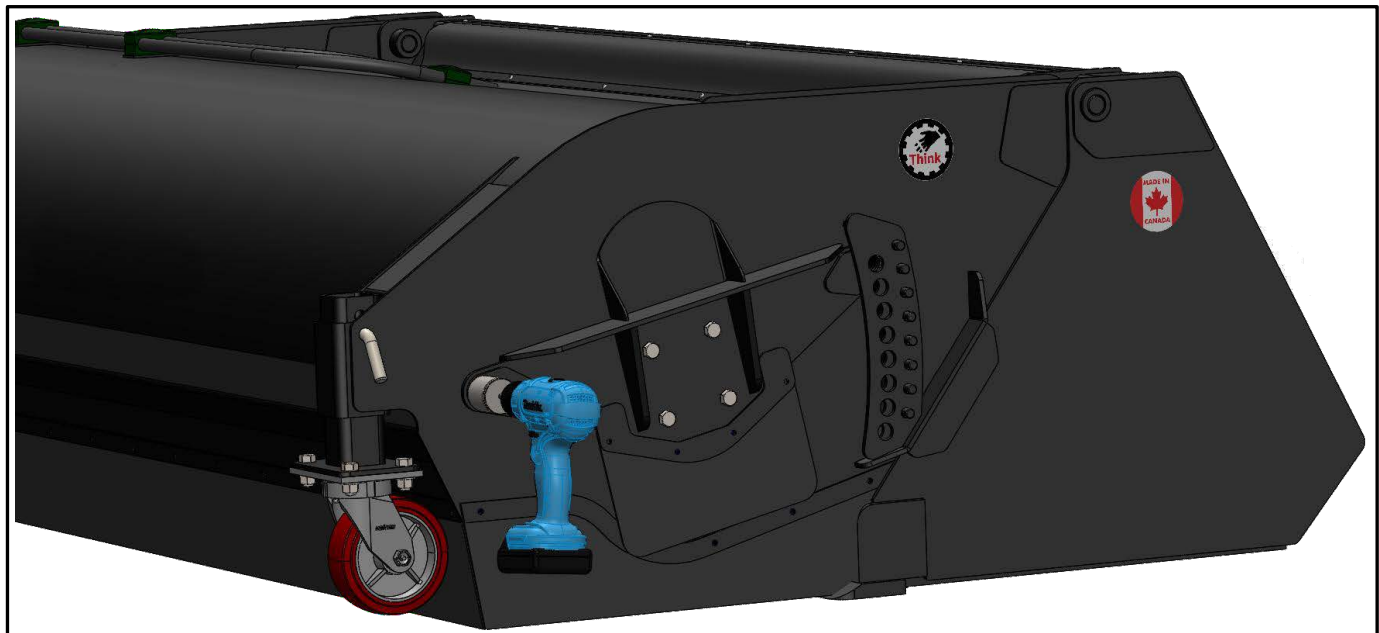
STEP 2

On the end opposite the motor (bearing side); Locate the 4 outside hex bolt heads. Set up your drill or equivalent with an appropriately sized socket and driver adapter.

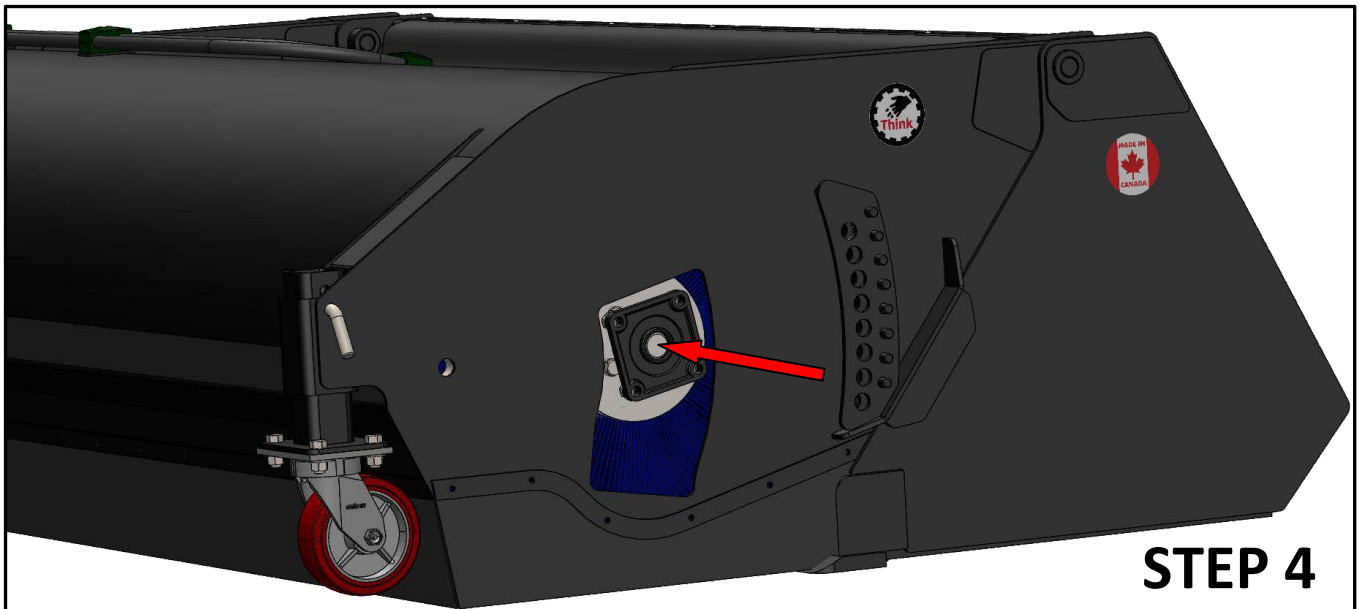
WAFER REPLACEMENT (Cont.)



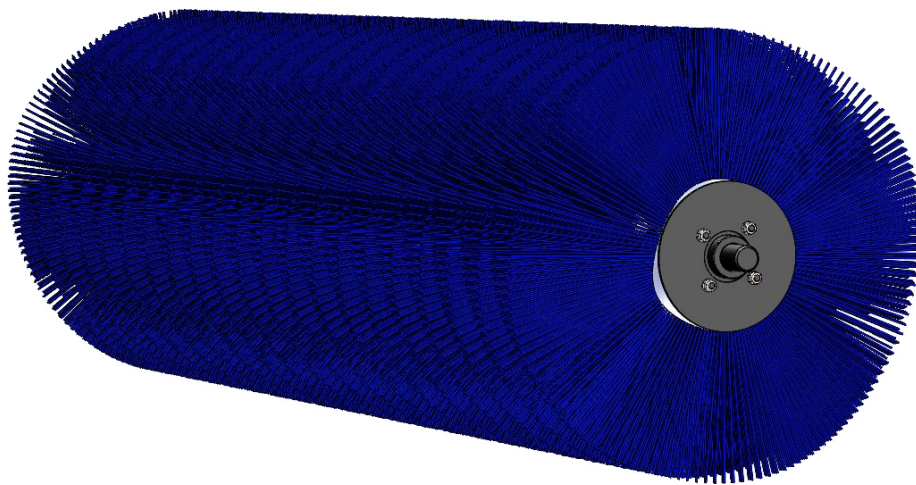
Remove retainer pins as on page 20. Using your drill or socket implement. Undo the 4 bearing bolts on the end plate. Once you get to the last remaining bolts, you will feel the brush head begin to drop. Let it rest on the ground as it becomes free. Remove the last remaining front bolt holding the end plate on and remove the end plate.



WAFER REPLACEMENT (Cont.)



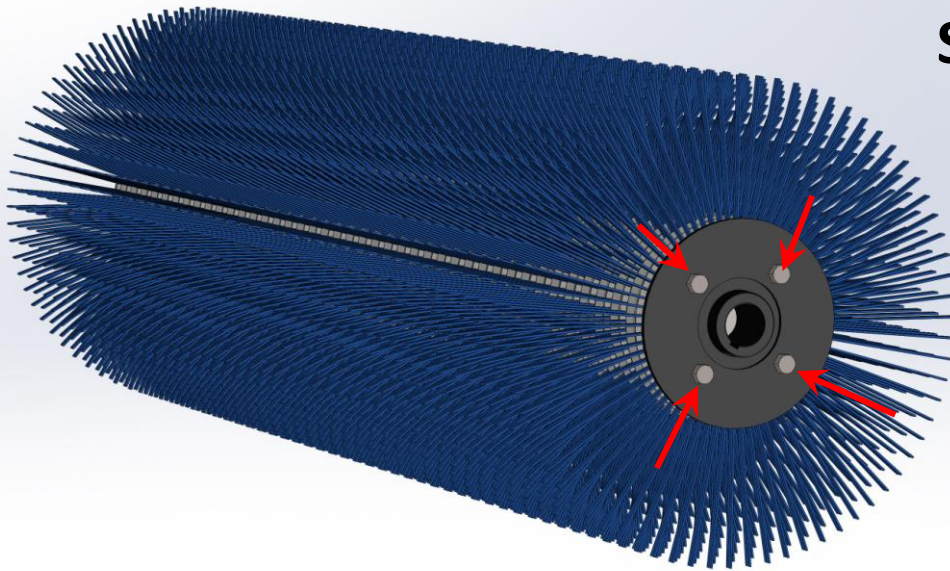
With the endplate removed. The brush head bearing and shaft will be exposed. Remove the loose bearing and set aside. Grab the exposed shaft and pull it towards you. The entire brush head should come free from the motor shaft and rest on the ground. While checking for obstructions and making sure everything is free, the Sweeper housing can now be lifted or moved to give you room to work on the brush head.



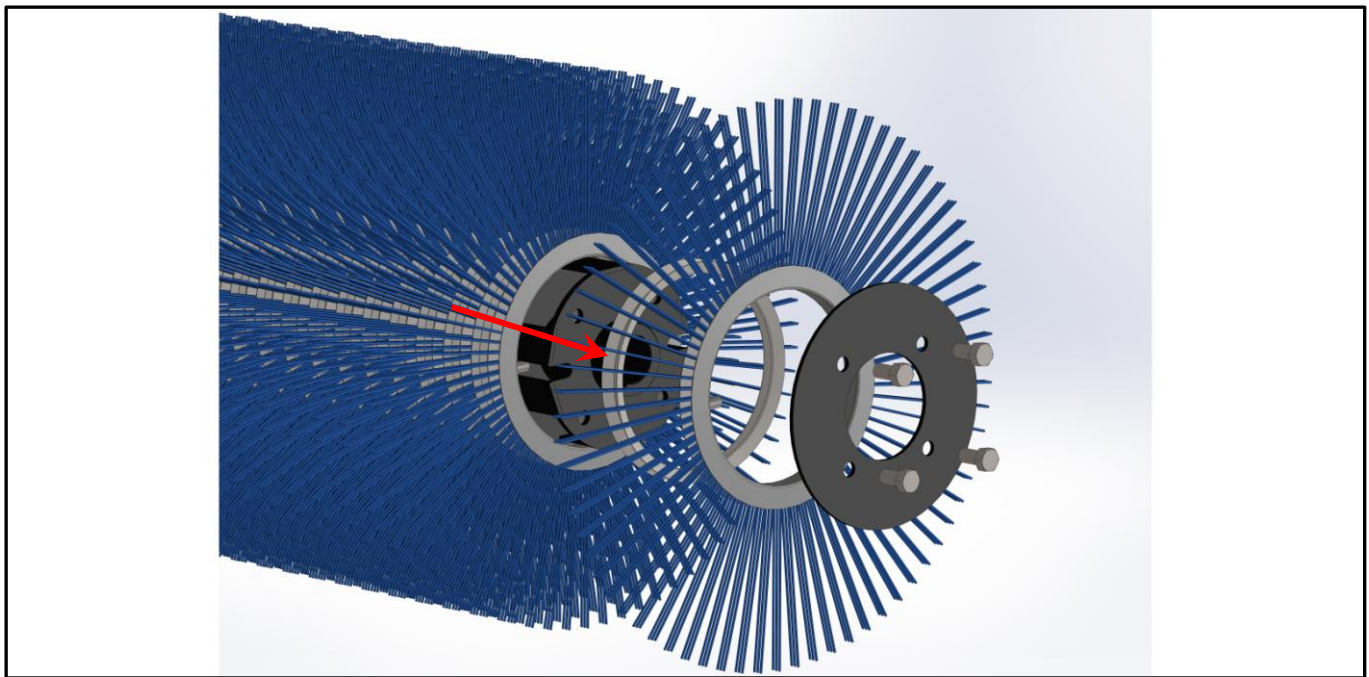
Continue to Step 5

WAFER REPLACEMENT (Cont.)

STEP 5

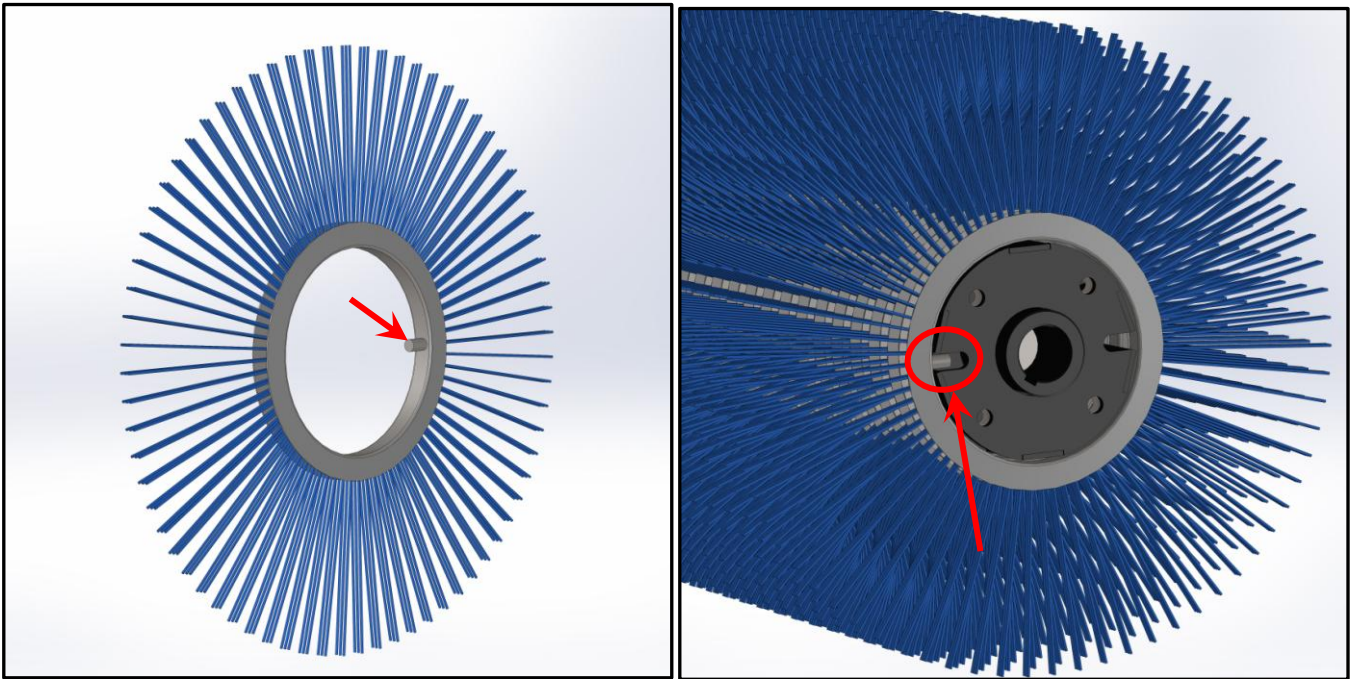


Undo each 4 nuts shown and remove endplate.



With the endplate removed. Slide used wafers & spacing collars off of the end. Discard old wafers & set the spacing collars aside for re-use. (Shown with arrow above)

WAFER REPLACEMENT (Cont.)



With all of the old wafers removed and discarded. You can now begin to install your new wafers, making sure to line up the studs on the wafers with 1 of the 2 channels on the Brush Head. Begin with 1 wafer and then one spacer collar (set aside from last step) continue this alternating pattern until you reach the last wafer in your replacement kit.

Finishing up

Once you've finished installing all of your wafers as instructed, you can close off the brush head and re-attach the end plate with the 4 nuts as before. Some compression of the wafers may be required during this step. ***See specifications section for bolt torque specification.** Repeat Steps 1 through 3 in reverse succession to reinstall the brush head making sure to properly align the keyway on the motor shaft with the slotted bushing on the brush head. Once all your bolts have been tightened as per specification; Your sweeper is ready to get back to work.

Wafer replacement kits

| Model | 50/50 poly wire kit | Poly Only kit | Wire Only kit | Replacement Wafers (Amount) |
|----------|---------------------|---------------|---------------|-----------------------------|
| MCRS1548 | MWK1548PW | MWK1548PO | MWK1548WO | 42 Flat wafers |
| MCRS1560 | MWK1560PW | MWK1560PO | MWK1560WO | 52 Flat wafers |

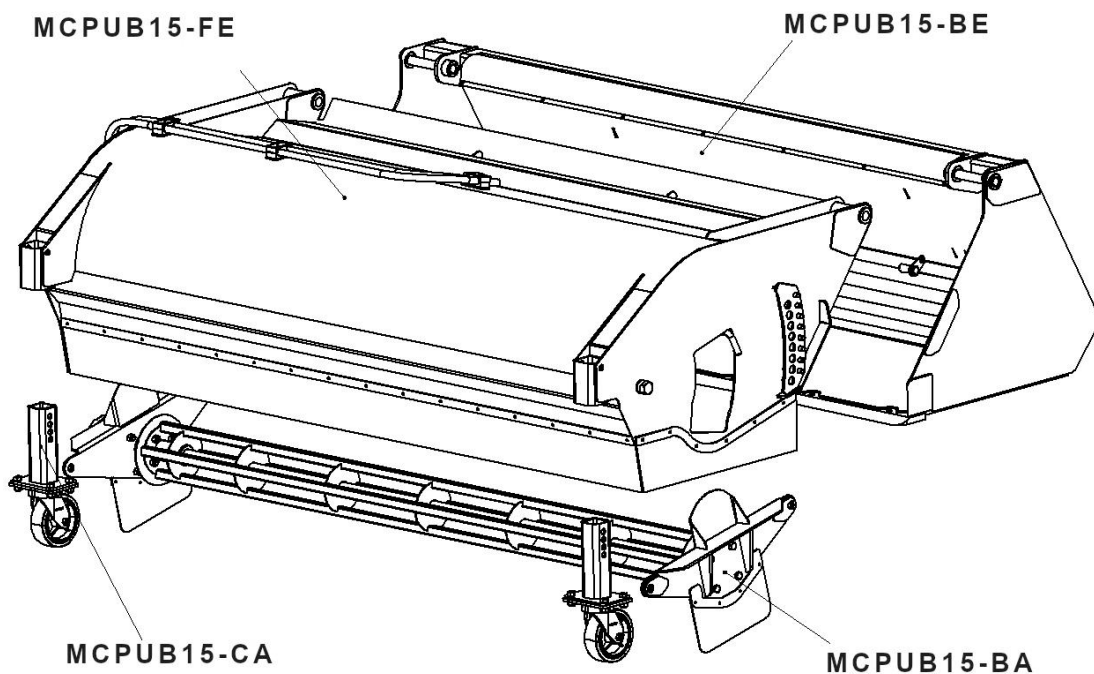
For Wafer replacement kits, Please contact **Skid Pro Attachments** at:

877-378-4642 or **sales@skidpro.com**

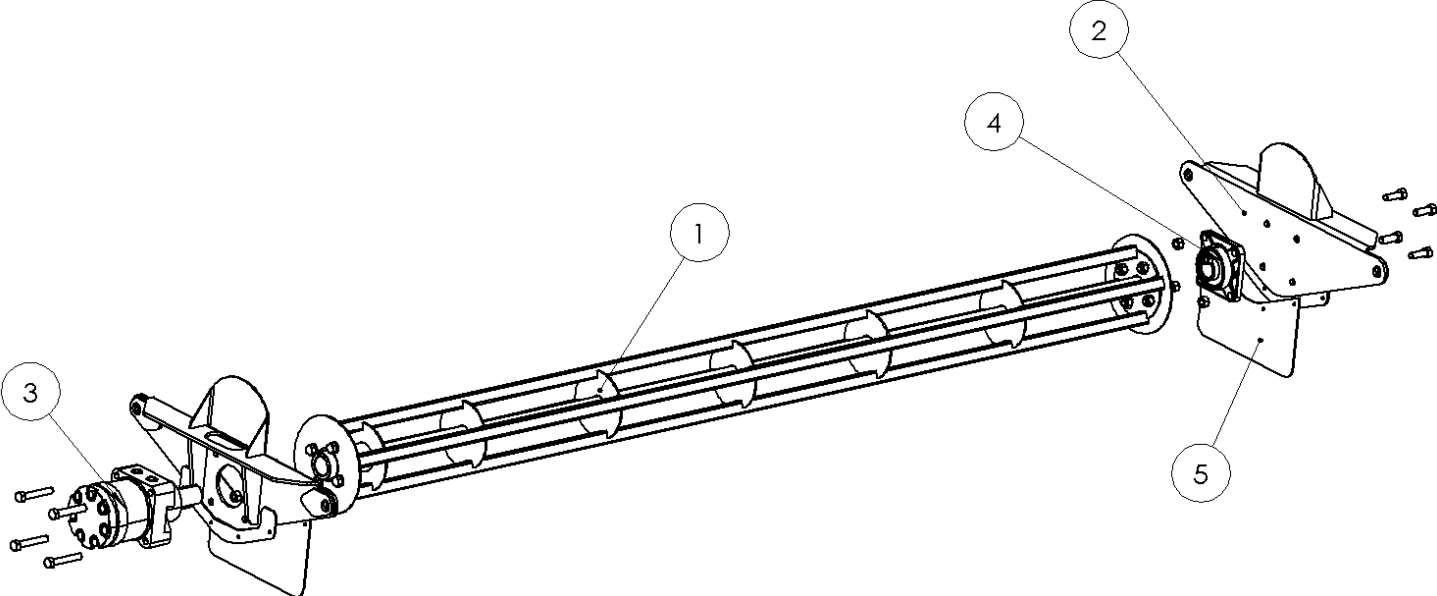
PARTS ILLUSTRATIONS

The following diagrams are a breakdown of all major components, parts and hardware for the MCPUB15 Series Rotary Sweepers

Weldments & Sub-Assemblies



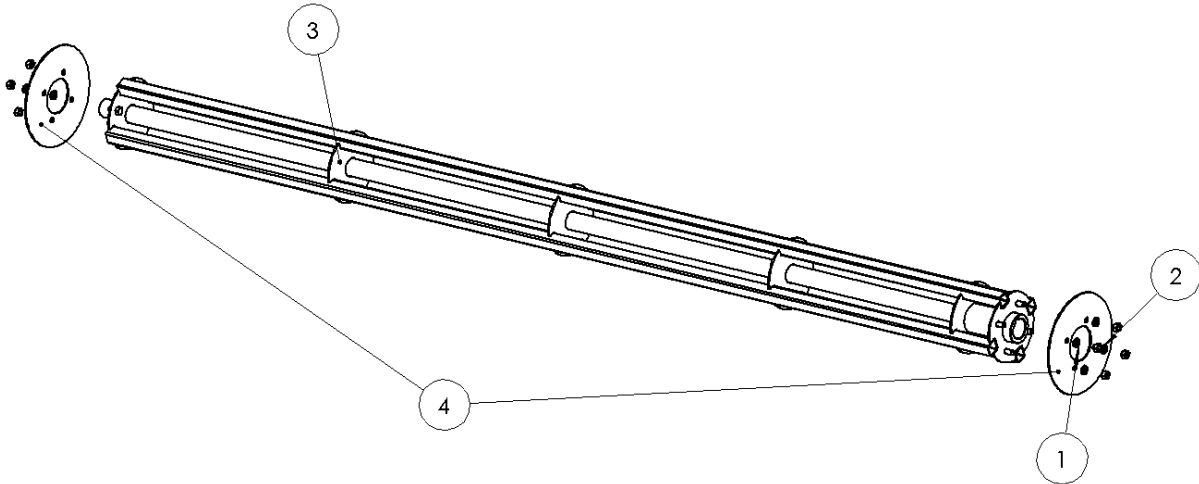
MCPUB15-BA



| ITEM NO. | PART NUMBER | DESCRIPTION | QTY. |
|----------|------------------------|----------------------|------|
| 1 | BH15 (sub-assembly) | Brush head | 1 |
| 2 | MCPUB15-BA-001 | Brush head end plate | 2 |
| 3 | WHITE-350160Y8120AAAAA | Hyd. motor | 1 |
| 4 | F206-FLANGE BEARING | Bearing | 1 |
| 5 | MCPUB15-BA-002 | Rubber dust guard | 2 |

BH15

(Sub-Assembly of MCPUB15-BA)

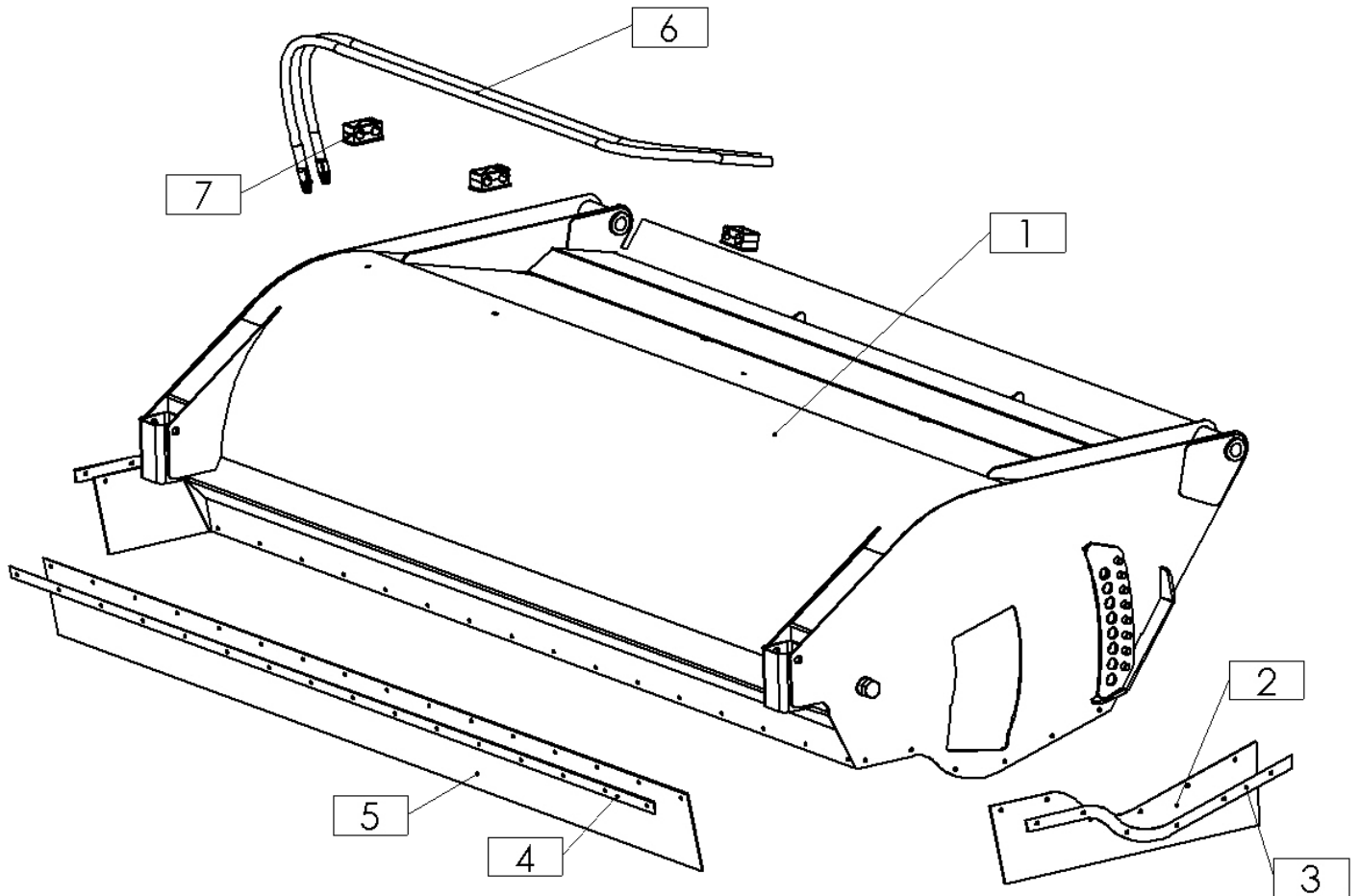


| ITEM NO. | PART NUMBER | DESCRIPTION | QTY. |
|----------|--------------------|-----------------------|------|
| 1 | Regular LW 0.375 | Lock washers | 8 |
| 2 | HNUT 0.3750-16-D-N | Imperial Hex nut | 8 |
| 3 | BH15-001 | Main shaft weldment | 1 |
| 4 | BH15-002 | Main shaft end plates | 2 |

***BH15 Shown without brushes/wafers**

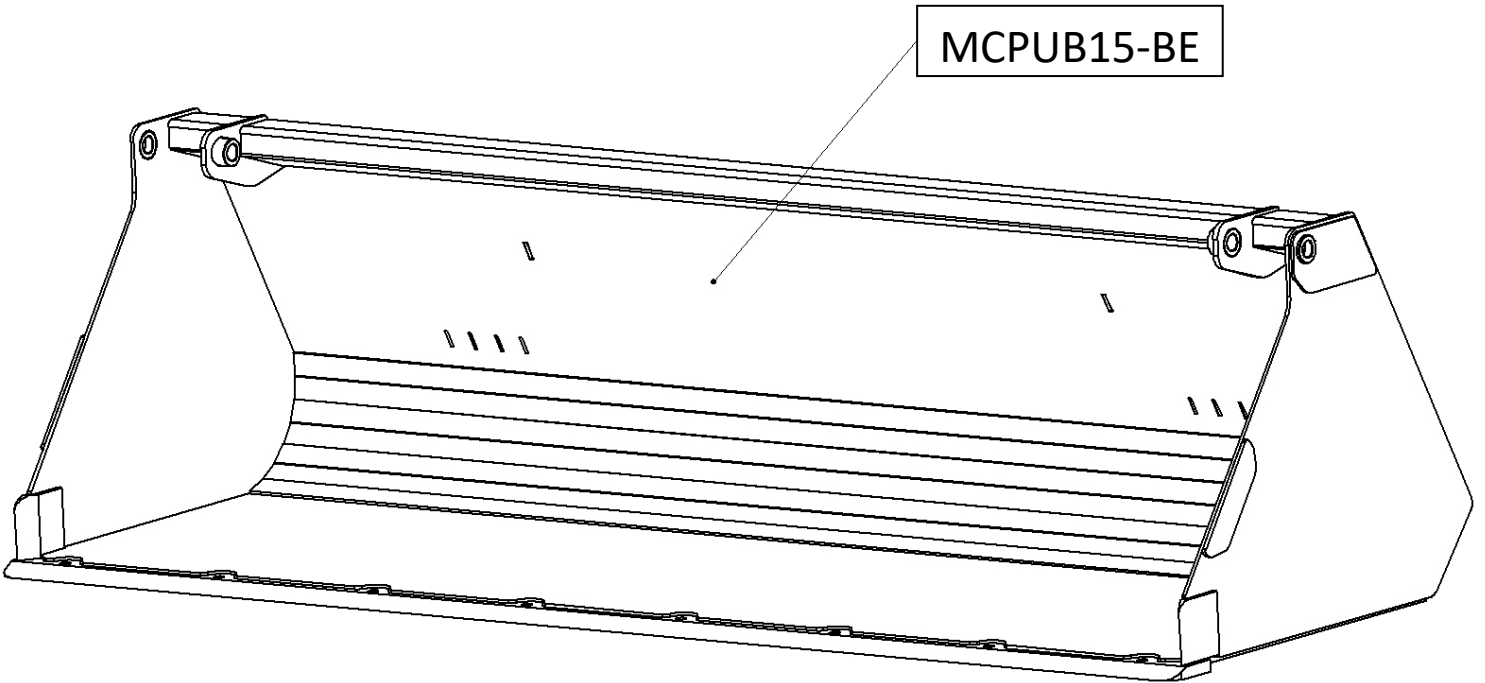
For information on Wafer Kits See Page. 27

MCPUB15-FE



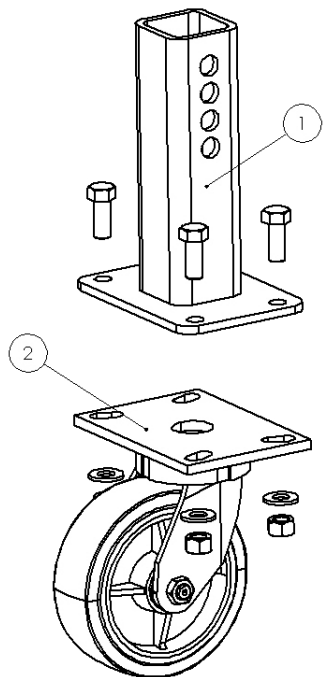
| ITEM NO. | PART NUMBER | DESCRIPTION | QTY. |
|----------|----------------|--------------------------|------|
| 1 | MCPUB15-FE-001 | SWEEPER SHROUD | 1 |
| 2 | MCPUB15-FE-002 | SIDE RUBBER DUST GUARD | 2 |
| 3 | MCPUB15-FE-003 | SIDE DUST GUARD BRACKET | 2 |
| 4 | MCPUB15-FE-005 | FRONT DUST GUARD BRACKET | 1 |
| 5 | MCPUB15-FE-006 | FRONT RUBBER DUST GUARD | 1 |
| 6 | MCPUB15-FE-007 | MCPUB15 HOSE KIT | 1 |
| 7 | MCPUB15-FE-010 | HOSE HOLDER BLOCK | 3 |

MCPUB15-BE



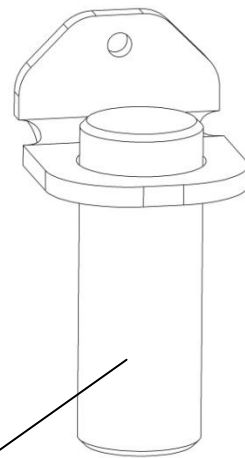
MCPUB15-CA

| ITEM NO. | PART NUMBER | DESCRIPTION | QTY. |
|----------|----------------------|-------------------|------|
| 1 | MCPUB15-CA-001 | Adj. Caster Mount | 1 |
| 2 | Colson - 6.06289.929 | 2" x 6" Caster | 1 |



(MCPUB15-CA)

MCPUB15-PA



X 2

TROUBLESHOOTING

| Problem | Possible Cause | Solution |
|---------------------------------|---|--|
| Hydraulic Malfunction | Low fluid level | Check/Add hydraulic fluid |
| | Improper hose hook-up | Check and correct line connection |
| | Broken or damage hydraulic line | Replace damaged line |
| | Cylinder leaking | Replace cylinder seals |
| | Fluid heating | Check for restricted fluid flow |
| | Cold hydraulic fluid | Allow fluid to warm up to operated temperature |
| Wafers/Brushes Wear Prematurely | Too much pressure on sweeper/Brush head | Tip sweeper back to ride on casters |
| Not angling | Damaged, disconnected wire/Line | Check and correct line/wire connection |

If you have problems not listed here please contact Skid Pro Attachments.

SKID PRO ATTACHMENTS

807 McKay Ave S.
 Alexandria, MN 56308
 Phone: 877-378-4642
 Email: sales@skidpro.com
 Website: www.skidpro.com

Skid Pro Attachments **Warranty Policy**

All equipment sold by SKID PRO ATTACHMENTS is warranted to be free from defects of material and workmanship. The company will not be liable for indirect or consequential damages. The company's liability will be limited exclusively to replacing or repairing without charge, at its factory or elsewhere, at its discretion. Any material or workmanship defects that becomes apparent within one year from the date which the equipment was purchased. The buyer by the acceptance of the equipment will assume all liability for any damages that may result from the use or misuse by his employees or others.

All claims must be reported to a SKID PRO ATTACHMENTS representative prior to any repairs or modification.

All claims are subject to a SKID PRO ATTACHMENTS representative approval.

All claims must be accompanied by pictures of the faulty product.

SKID PRO ATTACHMENTS Warranty will not cover product that has been misused or modified in an unauthorized manner.

SKID PRO ATTACHMENTS Warranty will not cover normal wear on Attachments.

SKID PRO ATTACHMENTS

807 McKay Ave S.
Alexandria, MN 56308
Phone: 877-378-4642
Email: sales@skidpro.com
Website: www.skidpro.com