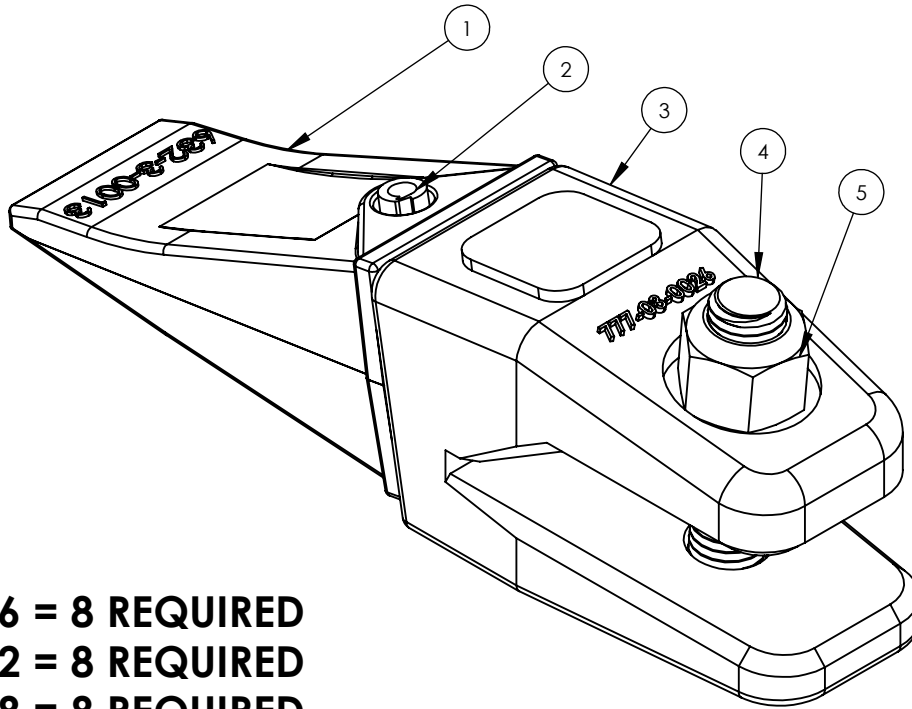


777-03-0026-KIT
BOLT ON TOOTH KIT

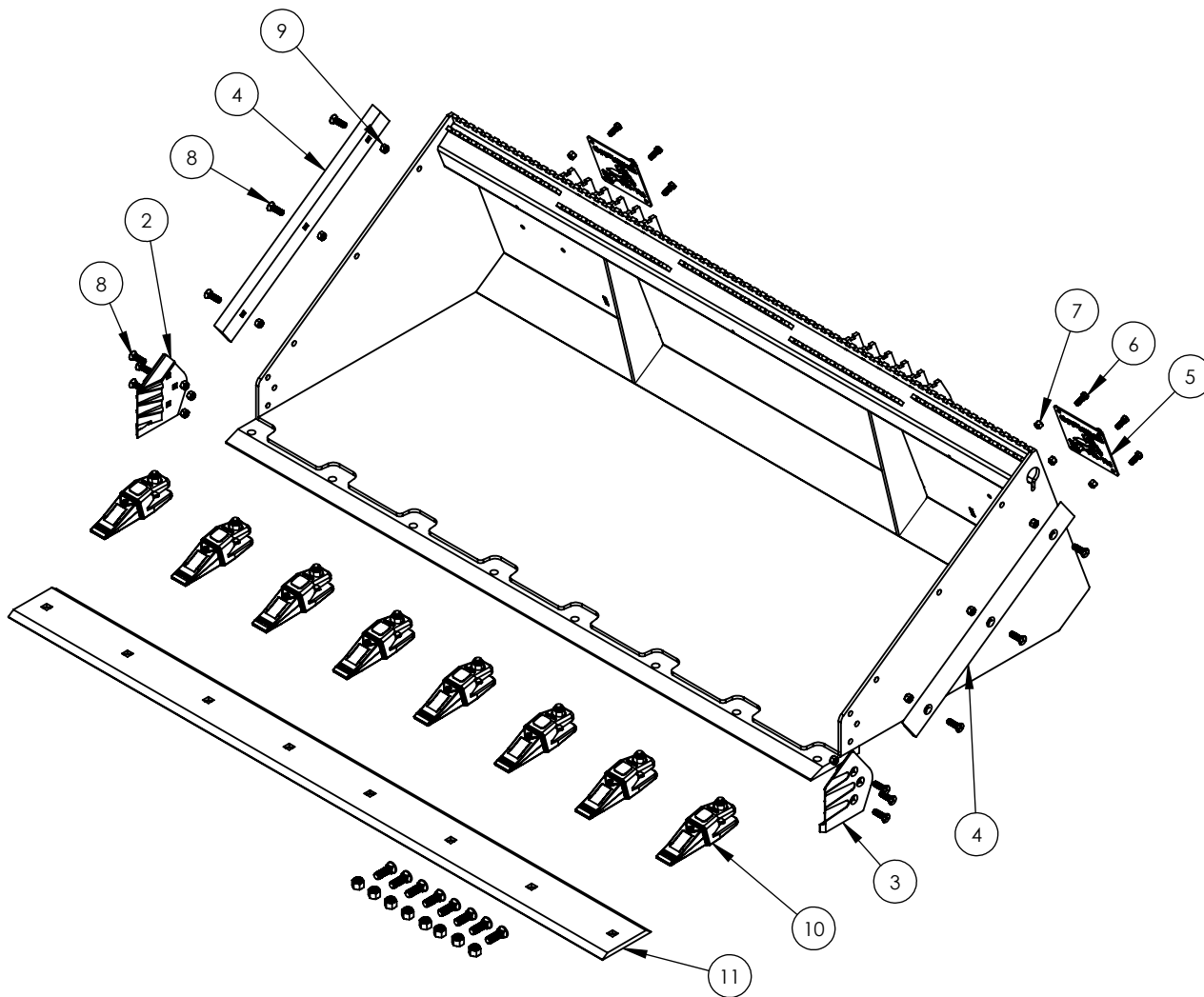


66 = 8 REQUIRED
72 = 8 REQUIRED
78 = 8 REQUIRED
84 = 10 REQUIRED

SINGLE KIT INCLUDES

ITEM NO.	PART NUMBER	DESCRIPTION	QTY.
1	632-3-0013	RIPPER TOOTH	1
2	632-3-0014	RIPPER TOOTH PIN	1
3	777-03-0026	BOLT ON TOOTH MOUNT	1
4	HW-.625-11X3.FHCS	5/8-11 X 3.0 FHCS	1
5	HW-.625-11NYL	5/8"-11 NYLOCK NUT	1

745-01-0001 DIRT BUCKET



NOTE:

CAN USE BOLT ON TEETH (10) OR BOLT ON CUTTING EDGE (11) BUT **CANNOT INSTALL BOTH** AT SAME TIME

ITEM NO.	PART NUMBER	DESCRIPTION	QTY.
1	745-02-0001	DIRT BUCKET	1
2	745-03-0011	RIGHT SIDE TOOTH	1
3	745-03-0012	LEFT SIDE TOOTH	1
4	745-03-0013	SINGLE BEVEL BOLT ON CUT EDGE	2
5	SP-2019-4	SKIDPRO PLACARD	2
6	HW-.375-16X1.0G5	3/8"-16X1" HEX BOLT G5	8
7	HW-.375-16NYL	3/8 - 16 NYLOCK NUT	8
8	HW-.438-14X1.50PB	7/16"-14X1.50" PLOW BOLT	12
9	HW-.438-14NYL	7/16"-14 NYLOCK NUT	12
10	777-03-0026-KIT	BOLT ON TOOTH KIT	8/10
11	AU-03-0745-XX-KIT	DBL CUT EDGE 1/2" THICK KIT	1
REPLACE "XX" WITH WIDTH (66, 72, 78, 84), HARDWARE IS INCLUDED IN KIT			