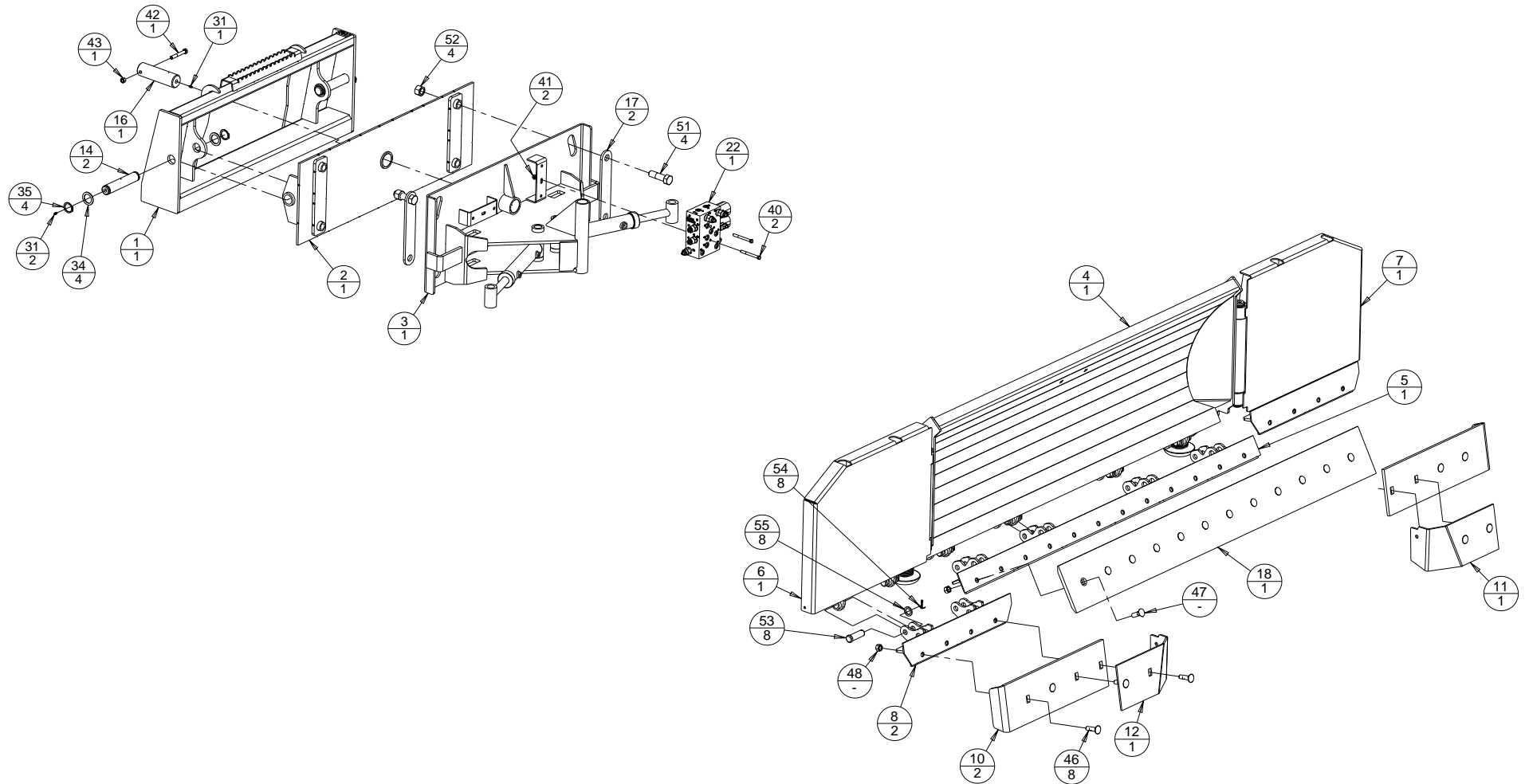


Hydraulic Snow Blade/Pusher Combo (HSBP) Parts Breakdown

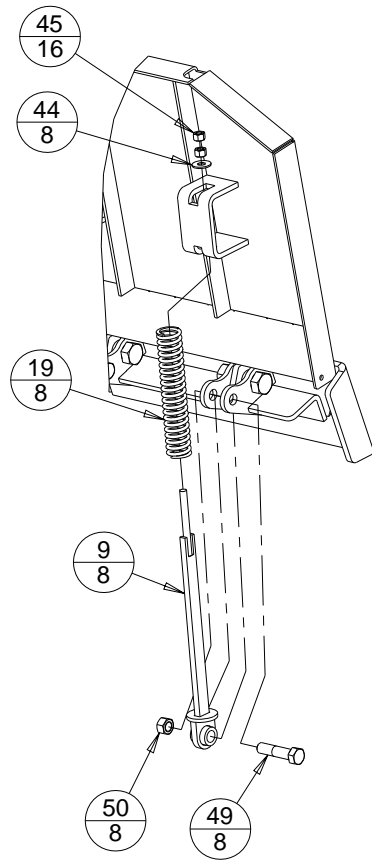
Serial Numbers 114975 – Current

Manufacture Date 06/20/16 – Current

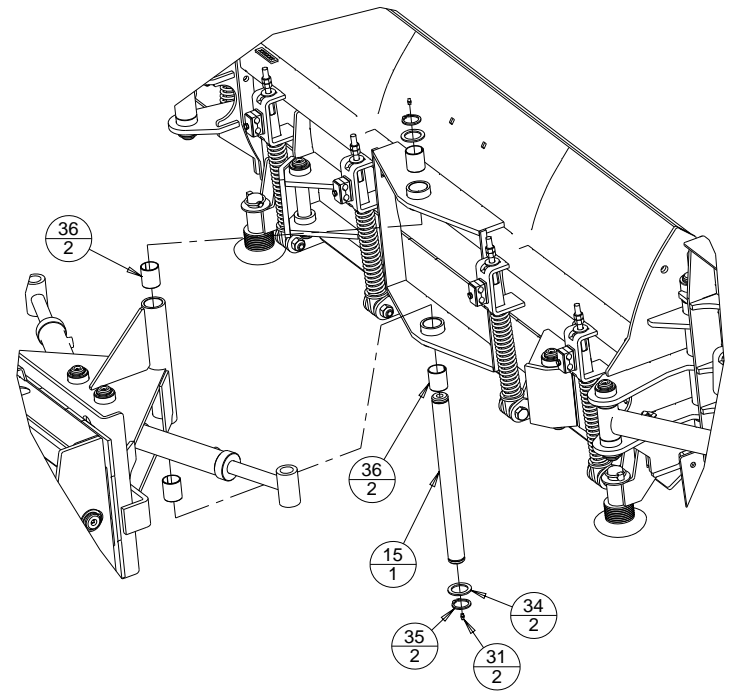
Main Component Assembly



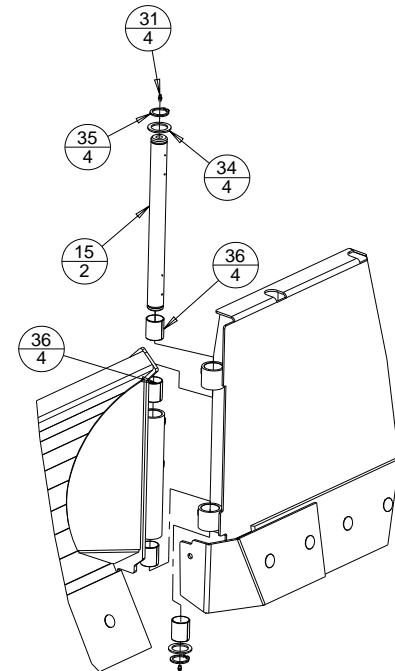
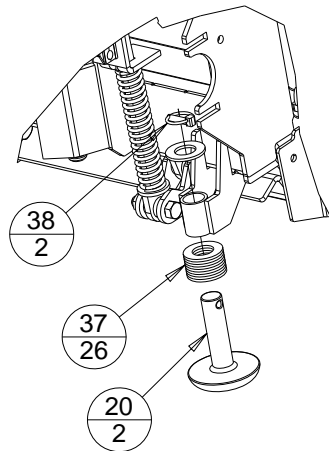
Spring Installation



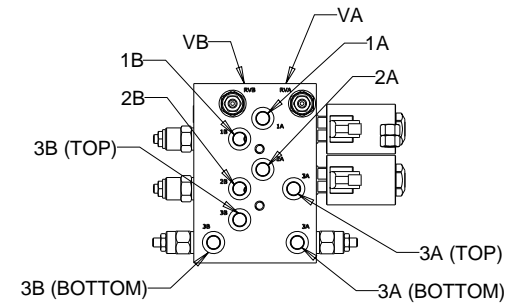
Pivot Pin Installation



Wear Shoe Installation



Hydraulic Installation



MANIFOLD PORT	HOSE LOCATION
1A	RIGHT WING ROD
1B	RIGHT WING BARREL
2A	LEFT WING ROD
2B	LEFT WING BARREL
3A (TOP)	RIGHT ANGLE ROD
3B (TOP)	RIGHT ANGLE BARREL
3A (BOTTOM)	LEFT ANGLE BARREL
3B (BOTTOM)	LEFT ANGLE ROD
VA	MALE COUPLER
VB	FEMALE COUPLER

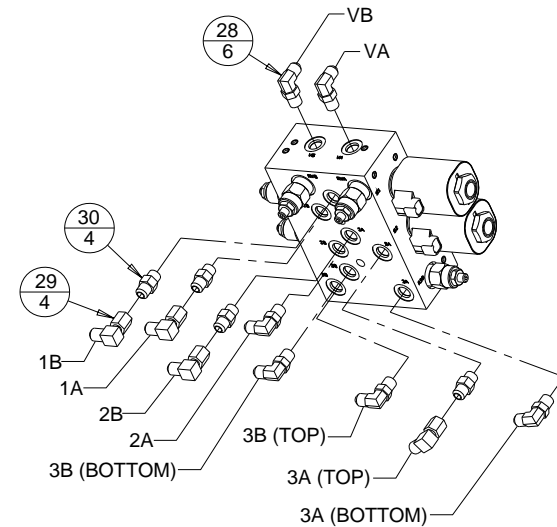
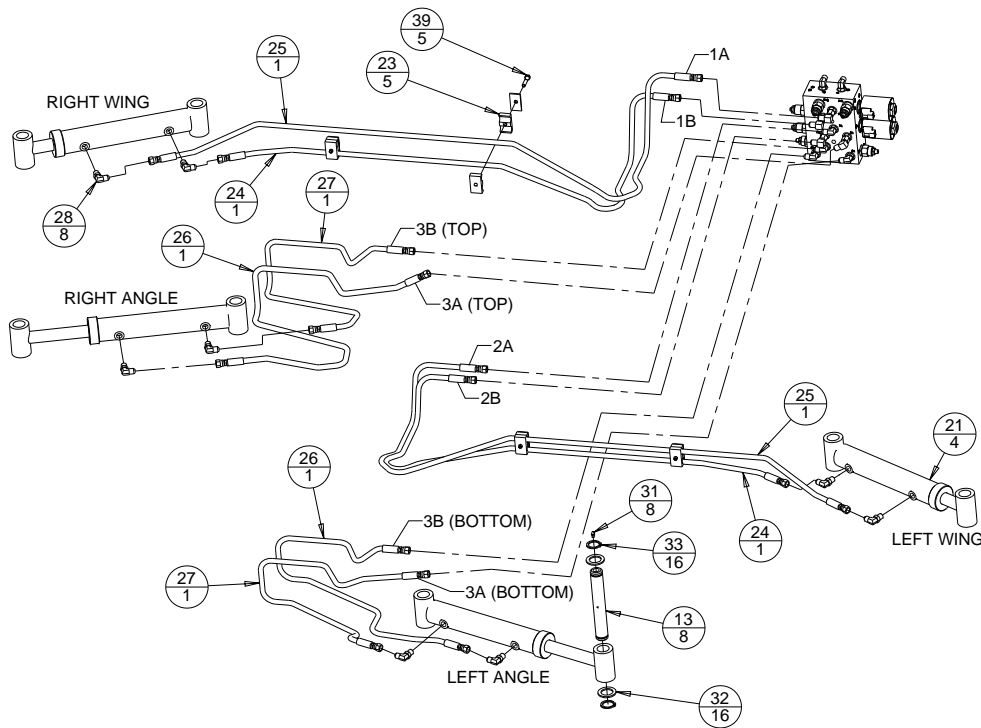
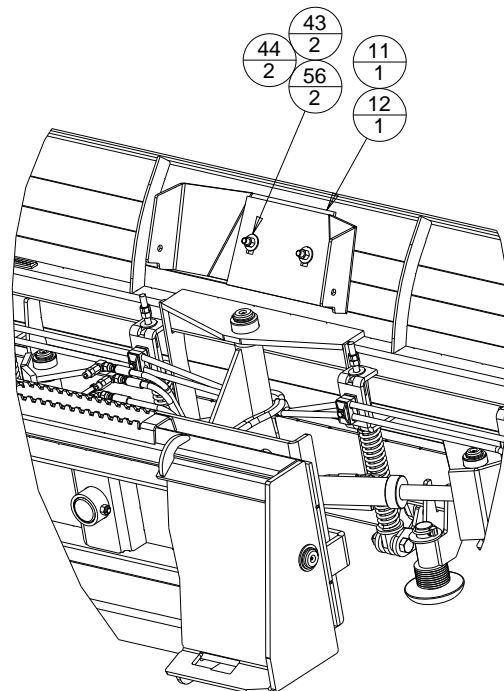


Table 1

MODEL	HSBP120	HSBP132	HSBP144	HSBP156
HSBP MOLDBOARD WELDMENT	10605VW	9784VW	9834VW	9836VW
SBS EDGE HOLDER WELDMENT	10606VW	9664VW	9667VW	9670VW
INNER HYD HOSE PART # / LENGTH	9749PP / 59 1/2"	1125PP / 64"	1127PP / 72"	1126PP / 80"
OUTER HYD HOSE PART # / LENGTH	1125PP / 64"	1127PP / 72"	1126PP / 80"	1128PP / 88"
BOLT ON EDGE, 5/8" X 8"	1327VP	1329VP	1331VP	1332VP
NUMBER OF PLOW BOLTS	10	12	14	16
NUMBER OF 5/8" TOP LOCK NUTS	20	20	22	24
REPLACEMENT EDGE KIT	HSBPEK120	HSBPEK132	HSBPEK144	HSBPEK156
WEIGHT (LBS.)	1590	1650	1710	1770

Items 10, 11, 12, 18, 46, 47 and 48 are available as a Replacement Edge Kit. Replacement Edge Kit part numbers are listed in Table 1. Replacement Edge Kits include width specific steel cutting edge components and all required mounting hardware.



Hydraulic Snow Blade/Pusher Combo (HSBP) Parts List

ITEM	PART NO.	QTY	DESCRIPTION
1	6802VW	1	SBV FRAME WELDMENT
2	6805VW	1	SBV KNUCKLE WELDMENT
3	9781VW	1	HSBP OSCILLATION WELDMENT
A 4	-----	1	HSBP MOLDBOARD WELDMENT
A 5	-----	1	SBS EDGE HOLDER WELDMENT
6	9791VW	1	HSBP WING WELDMENT RH
7	9802VW	1	HSBP WING WELDMENT LH
8	9805VW	2	HSBP WING EDGE HOLDER WDT
9	6664VW	8	SNOW BLADE SPRING GUIDE WDT
10	9811VP	2	HSBP WING EDGE
C 11	9812VP	2	HSBP WING ANGLED EDGE LH
C 12	9813VP	2	HSBP WING ANGLED EDGE RH
13	2137VP	8	CYLINDER PIN
14	5194VP	2	CLAM PIVOT PIN
15	6673VP	3	SNOW BLADE PIVOT PIN STRAIGHT
16	6674VP	1	SNOW BLADE OSCILLATION PIN
17	6675VP	2	SNOW BLADE OSC RETENTION PLATE
A 18	-----	1	BOLT ON EDGE 5/8" X 8"
19	6684PP	8	SPRING COMPRESSION SNOW BLADE
20	6854PP	2	SNOW BLADE WEAR SHOE
21	10137PP	4	CYL 2" BORE X 8 3/8" STROKE
22	10057PP	1	PLOW MANIFOLD 3 FUNCT SELECTOR
F 23	1067PP	5	HOSE CLAMP FOR 1/4" HOSES
A 24	-----	2	INNER HYD HOSE 1/4", 6FJX TO 6FJX
A 25	-----	2	OUTER HYD HOSE 1/4", 6FJX TO 6FJX
26	1139PP	2	HYD HOSE 1/4" X 53 1/2" LG, 6FJX TO 6 FJX
27	1136PP	2	HYD HOSE 1/4" X 44 1/2" LG, 6FJX TO 6 FJX
28	6997PP	14	ELBOW 90 6MJ TO 6MB
29	1012PP	4	ELBOW 90 6FJX TO 6MJ
30	7796PP	4	ADAPTER 6MJ TO 6MB
31	1034PP	17	1/4"-28 STRAIGHT GREASE ZERK
32	1094PP	16	1 1/4" X 10GA MACH BUSHING
33	1095PP	16	1 1/4" EXTERNAL SNAP RING
34	1097PP	10	1 9/16" X 10GA MACH BUSHING
35	1098PP	10	1 9/16" EXTERNAL SNAP RING
36	1112PP	12	1 9/16" DIA X 2" LG BUSHING

Hydraulic Snow Blade/Pusher Combo (HSBP) Parts List (cont.)

ITEM	PART NO.	QTY	DESCRIPTION
37	6862PP	26	1 3/8" SAE FLAT WASHER
38	6863PP	2	7/16" X 1-3/4" LG LYNCH PIN
F 39	1117PP	5	5/16"-18 X 1 1/2" LG HHCS
40	8468PP	2	3/8"-16 X 3 3/4" LG HHCS
41	6140PP	2	3/8"-16 TOP LOCK FLANGE NUT
42	1077PP	1	1/2"-13 X 3 1/2" LG HHCS
43	1003PP	3	1/2"-13 REVERSE LOCK NUT
44	5148PP	10	1/2" USS FLAT WASHER
45	5237PP	16	1/2"-13 NUT
46	7334PP	8	5/8"-11 X 2 1/4" LG CB
A 47	1036PP	--	5/8"-11 X 2" LG PLOW BOLT
A 48	1008PP	--	5/8"-11 TOP LOCK NUT
49	6680PP	8	3/4"-10 X 3 1/4" LG HHCS
50	1011PP	8	3/4"-10 TOP LOCK NUT
51	6676PP	4	1"-8 X 3 1/2" LG HHCS
52	7246PP	4	1"-8 TOP LOCK NUT
53	10339PP	8	1" X 3" CLEVIS PIN
54	10567PP	8	3/16" X 1 1/2" COTTER PIN
55	5146PP	8	1" X 10GA MACHINERY BUSHING
56	7964PP	2	1/2"-13 X 1 1/4" LG CB
B 57	1144PP	2	ELBOW 90 MALE 6MJ TO 8MB
B 58	9498PP	2	ADAPTER 12MB TO 8FB
B 59	8734PP	1	COUPLER FEMALE 12FB CUP
B 60	8735PP	1	COUPLER MALE 12FB CUP
B 61	1127PP	2	HYD HOSE 1/4" X 72" LG 6FJX TO 6FJX
	1126PP		HYD HOSE 1/4" X 80" LG 6FJX TO 6FJX
	1128PP		HYD HOSE 1/4" X 88" LG 6FJX TO 6FJX
B,E 62	9602VA	1	BROOM WIRE HARNESS
B,D 63	9600PP	1	DOZER COIL W/DEUTSCH PLUG

A - See Table 1.

B - Item not shown.

C - One each installed on plow, second set to be used when steel edges are reversed.

D - Coil, replacement part only.

E - Wire Harness not used with 7 pin (ELC7) control.

F - Qty 3 used on HSBP120.

Hydraulic Snow Blade/Pusher Combo (HSBP) Label Parts List

ITEM	PART NO.	QTY	DESCRIPTION
1	10599PP	1	120 WIDTH LABEL FOR HSBP
	10017PP		132 WIDTH LABEL FOR HSBP
	10018PP		144 WIDTH LABEL FOR HSBP
	10019PP		156 WIDTH LABEL FOR HSBP
2	5263PP	4	PINCH POINT WARNING LABEL
3	5264PP	2	CRUSH HAZARD WARNING LABEL
4	5265PP	1	HYDRAULIC WARNING LABEL
5	SERIALTAG	1	SERIAL NUMBER TAG

Label Location

