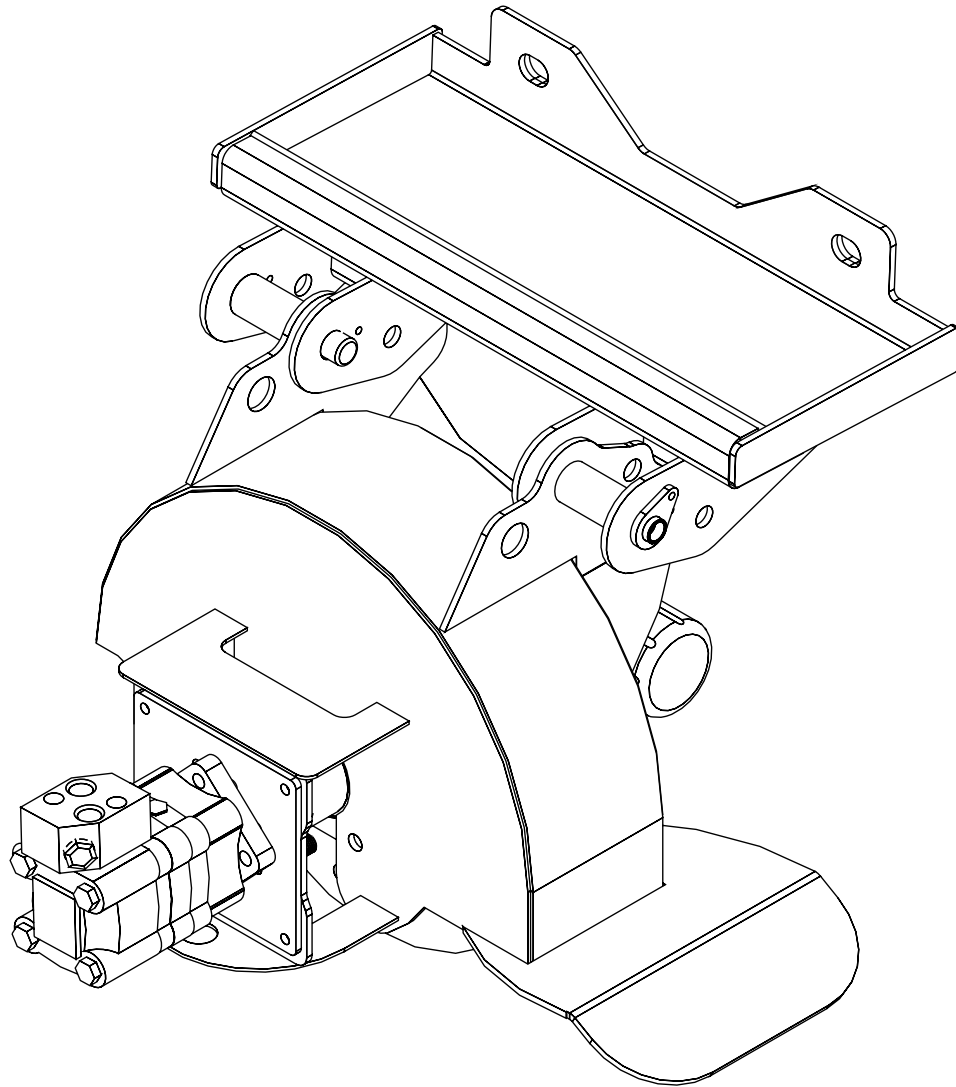


# D002033 And D002034 Stump Grinder Operation And Maintenance Manual



**Skid Pro Attachments**  
**PO Box 982**  
**Alexandria, MN 56308**  
[www.skidpro.com](http://www.skidpro.com)  
December 2020

---

## CONTENTS

---

<b>1. INTRODUCTION AND WARRANTY.....</b>	<b>3</b>
1.1 Introduction.....	3
1.2 Warranty .....	3
<b>2. COMPONENT IDENTIFICATION .....</b>	<b>4</b>
<b>3. SAFETY .....</b>	<b>5</b>
3.1 Safety Alert Symbol And Signal Words .....	5
3.2 Operational Hazards .....	5
3.2.1 PREPARE FOR EMERGENCIES.....	6
3.2.2 REPLACE SAFETY SIGNS .....	6
3.2.3 DO NOT ALLOW RIDERS .....	6
3.2.4 LOWER OPERATING SPEED.....	6
3.2.5 AVOID ROLLOVER .....	6
3.2.6 AVOID POWER LINES & UNDERGROUND UTILITIES.....	6
3.2.7 DETACH STUMP GRINDER SAFELY.....	7
3.2.8 TRANSPORT SAFELY .....	7
3.2.9 RAISED ATTACHMENT.....	7
3.2.10 AVOID HIGH PRESSURE FLUIDS.....	7
3.3 Maintenance Hazards .....	7
3.4 Hazards From Modifying Equipment .....	8
3.5 Safety Warning Labels .....	8
<b>4. OPERATION .....</b>	<b>10</b>
4.1 Pre-Operation Check List.....	10
4.2 Stabilizer Pin .....	10
4.3 Attaching And Detaching .....	11
4.4 Operation.....	11
<b>5. ROUTINE MAINTENANCE .....</b>	<b>12</b>
5.1 Inspections.....	12
5.2 Rotate Cutting Teeth.....	12
5.3 Replace Cutting Teeth .....	13
5.4 Replace Tooth Holder .....	13
5.5 Replace Coupler Spyder .....	14
<b>6. TROUBLESHOOTING.....</b>	<b>15</b>

# **1. INTRODUCTION AND WARRANTY**

## **1.1 INTRODUCTION**

Congratulations on your purchase of a Skid Pro Skid Steer Stump Grinder. This equipment has been designed and manufactured to meet the needs of a discriminating buyer for efficient grinding of stumps.

Safe, efficient and trouble free operation of your stump grinder requires that you and anyone else who will be operating or maintaining the stump grinder, read and understand this Operator's Manual.

This manual covers the Skid Pro Skid Steer Stump Grinder, models D002033 and D002034.

Keep this manual with the equipment for frequent reference and to pass on to new operators or owners. Call your Skid Pro dealer, distributor or the factory if you need assistance, information or additional copies of the manuals.

**OPERATOR ORIENTATION** - The directions left, right, front and rear, as mentioned throughout this manual, are as seen from the skid steer driver's seat and facing in the direction of travel.

## **1.2 WARRANTY**

Skid Pro warrants products purchased from Skid Pro to the Original Purchaser to be free from defects in material and workmanship for a period of twenty four (24) months from the warranty start date.

Skid Pro's requirement for any issue with respect to attachments shall be limited to repairing or replacing the defective part, as this is a parts-only warranty and does not include any labor to replace or install the part or downtime from resulting issue. Skid Pro has full technical support & assistance to assure customer replaces the part properly for optimal performance on attachment. Skid Pro warranty service does not include:

1. Transportation to selling dealer's business location or, at the option of the original retail purchaser, the cost of a service call.
2. Used equipment.
3. Components covered by their own non-Skid Pro warranties
4. Normal maintenance service and expendable wear out items.
5. Repairs or adjustments caused by improper use; failure to follow recommended maintenance procedures; accidents or another casualty.
6. Liability for incidental or consequential damages of any type, including but not limited to lost profits of expenses of acquiring replacement equipment.

No agent, employee or representative of Skid Pro has authority to bind Skid Pro to any warranty except as specifically set forth herein. Any of these limitations excluded by local law shall be deemed deleted from this warranty; all other terms will continue to apply.

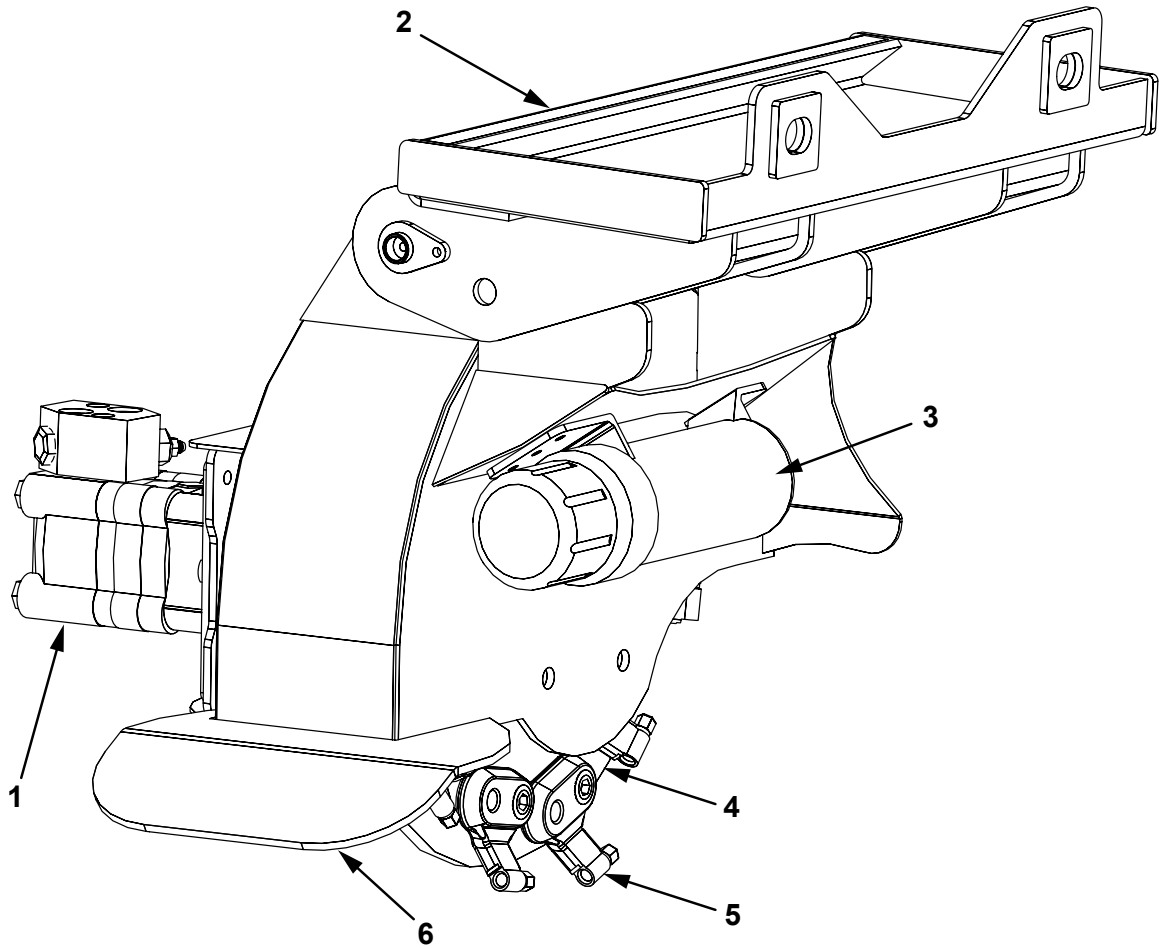
### **For warranty service contact:**

#### **Skid Pro, Inc.**

Toll Free: 877.378.4642

E-mail: sales@skidpro.com

## 2. COMPONENT IDENTIFICATION



1. Hydraulic Motor
2. Quick-Attach
3. Operators Manual Holding Tube
4. Cutting Wheel
5. Cutting Teeth
6. Debris Guard

### 3. SAFETY

#### 3.1 SAFETY ALERT SYMBOL AND SIGNAL WORDS

You must read, understand and follow the instructions given by the operating unit manufacturers, as well as the instructions in this manual.

The safety information in this manual is denoted by the safety alert symbol:



This symbol means ATTENTION! BECOME ALERT! YOUR SAFETY IS INVOLVED!

The level of risk is indicated by the following signal words:

#### DANGER

**DANGER** - Indicates a hazardous situation, which, if not avoided, WILL result in death or serious injury.

#### WARNING

**WARNING** - Indicates a hazardous situation, which, if not avoided, could result in death or serious injury.

#### CAUTION

**CAUTION** - Indicates a hazardous situation, which, if not avoided, could result in minor or moderate injury.

#### NOTICE

**NOTICE** - Indicates a situation that could result in damage to the equipment or other property.

### 3.2 OPERATIONAL HAZARDS

#### WARNING

Prevent serious injury or death.

Read and understand this manual before operating stump grinder.

Always stop engine and remove key before leaving operators seat.

Never allow anyone near the stump grinder during operation.

Travel at a safe speed.

#### WARNING

Prevent serious injury or death from moving parts.

Moving parts can crush and dismember. Do not operate without guards and shields in place.

Disconnect and lockout power source before adjusting or performing maintenance.

#### WARNING

Use stump grinder only for the designed applications.

Any other use may result in personal injury, damage to equipment and may void the warranty.

#### WARNING

Prevent serious injury or death.

Verify stump grinder is locked to quick attach hitch before operation or transport.

**⚠ WARNING**

**Protect from flying debris.**

**Wear proper safety glasses, goggles, or a face shield to protect from flying debris.**

Carefully read all safety messages in this manual and on equipment safety signs. Keep safety signs in good condition and replace missing or damaged safety signs.

New equipment components and repair parts must include the current safety decal.

Learn how to properly operate equipment. NEVER operate or work around this equipment without proper instruction, while fatigued or under the influence of alcohol, prescription or non-prescription medication or if feeling ill.

Keep your equipment in proper working condition.

Know the regulations and laws that apply to you and your industry. This manual is not to replace any regulations or laws. Additional information may be found at: [www.asae.org](http://www.asae.org) or [www.osha.gov](http://www.osha.gov).

If you do not understand any part of this manual, contact Skid Pro at 866-232-8224.

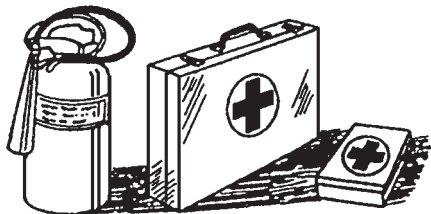
**3.2.1 PREPARE FOR EMERGENCIES**

Be prepared in case of emergencies.

Keep a fire extinguisher and first aid kit close to the machine.

Keep emergency phone numbers close to your phone.

Know your address so emergency services can locate you if an emergency arises.



**3.2.2 REPLACE SAFETY SIGNS**

Replace missing or damaged safety signs.

Safety sign location are identified in Section 4.5 of this manual.

Replacement safety signs are available from your dealer.

**3.2.3 DO NOT ALLOW RIDERS**

NEVER lift or carry anyone on stump grinder.

NEVER use stump grinder as a work platform.

NEVER allow passengers on stump grinder.

**3.2.4 LOWER OPERATING SPEED**

Keep stump grinder low and move at slow speeds on rough or uneven terrain.

**3.2.5 AVOID ROLLOVER**

The equipment may rollover, resulting in death or serious injury. To help prevent rollover:

- Travel at a slow speed.
- Avoid sharp turns & sudden movement on slopes.
- Carry stump grinder close to the ground.
- Avoid holes, ditches and other obstructions which may cause equipment to rollover.
- Use caution when operating on slopes and do not operate on excessively steep slopes.
- Do not exceed load capacity of equipment.

**3.2.6 AVOID POWER LINES & UNDERGROUND UTILITIES**

**⚠ DANGER**

**Prevent electrocution.**

**Death or serious injury can result if equipment comes near or contacts power lines.**

**Electrocution can occur without direct contact.**

Check clearance before raising equipment.

Have local utilities locate and mark under ground wires, cables, pipelines and other hazards before digging.

DO NOT leave the operator's seat if any part of the equipment contacts electric lines or cables.

### **3.2.7 DETACH STUMP GRINDER SAFELY**

Detach stump grinder on a firm and level surface. Stump grinder may fall over if detached on unlevel or soft surface.

### **3.2.8 TRANSPORT SAFELY**

Carry stump grinder low.

Travel slow and avoid slopes.

### **3.2.9 RAISED ATTACHMENT**

#### **WARNING**

**Crushing hazard.**

**Raised, unsupported stump grinder can fall, resulting in death or serious injury.**

**Never enter the area under a raised stump grinder.**

A raised stump grinder can lower unexpectedly, resulting in death or serious injury.

NEVER enter area under a raised stump grinder.

Lower stump grinder to ground, engage parking brake, shut off engine and remove key before servicing.

### **3.2.10 AVOID HIGH PRESSURE FLUIDS**

#### **WARNING**

**Pressurized fluids can penetrate the skin.**

**Hydraulic hoses can fail from age, damage and exposure.**

**Use body and face protection while searching for leaks. A tiny, almost invisible leak can penetrate the skin, thereby requiring immediate medical attention.**

**Use wood or cardboard to detect hydraulic leaks, never use your hands.**

Escaping fluid under pressure can penetrate the skin causing serious injury.

Prevent the hazard by relieving pressure before connecting or disconnecting hydraulic lines. Verify all connections are tight before applying pressure. Search for leaks with a piece of cardboard or wood.

Protect hands and body from high pressure fluids. If an accident occurs, see a doctor immediately. Any fluid injected into the skin must be surgically removed within a few hours or serious infection may result.

Doctors unfamiliar with this type of injury should reference a knowledgeable medical source.

### **3.3 MAINTENANCE HAZARDS**

Before servicing, park machine on a firm and level surface, set parking brake, chock wheels, and place a "Do Not Operate" tag on control panel. Read and understand this manual. If you do not understand any part of the manual, contact Skid Pro at 866-232-8224.

Always wear face and/or eye protection, safety shoes, and other protective equipment appropriate for the job.

Always use Skid Pro replacement parts.

#### **WARNING**

**Crushing hazard.**

**Before performing inspections, service or maintenance, lockout operating unit by:**

- **Park machine on firm, level surface.**
- **Engage parking brake.**
- **Turn engine off and remove key.**
- **Place "Do Not Operate" tag on control panel.**

#### **WARNING**

**Moving parts can crush and cut.**

**Keep clear of moving components.**

**Follow lockout procedure before performing maintenance.**

**⚠ WARNING**

Entanglement hazard.

Keep clear of moving components.

Wear proper protective equipment appropriate for the job.

**⚠ WARNING**

Burn hazard.

Hot and high pressure hydraulic oil.

Allow oil to cool before servicing.

**3.4 HAZARDS FROM MODIFYING EQUIPMENT**

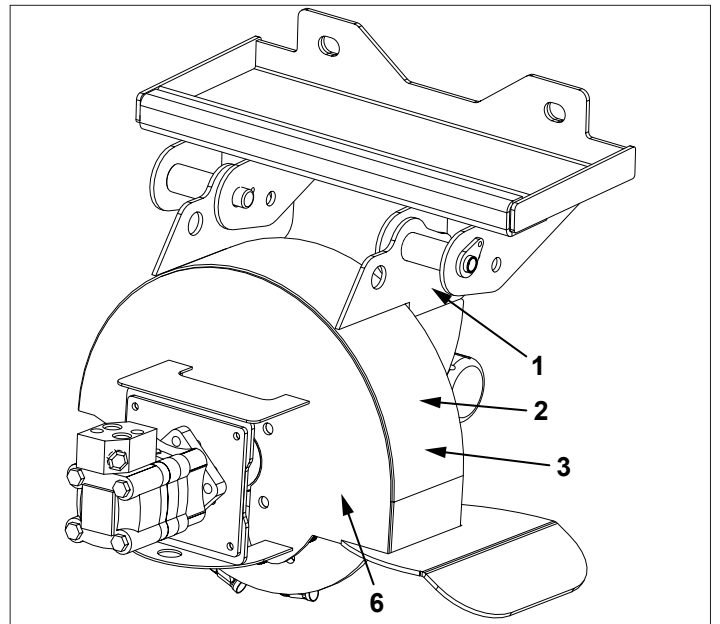
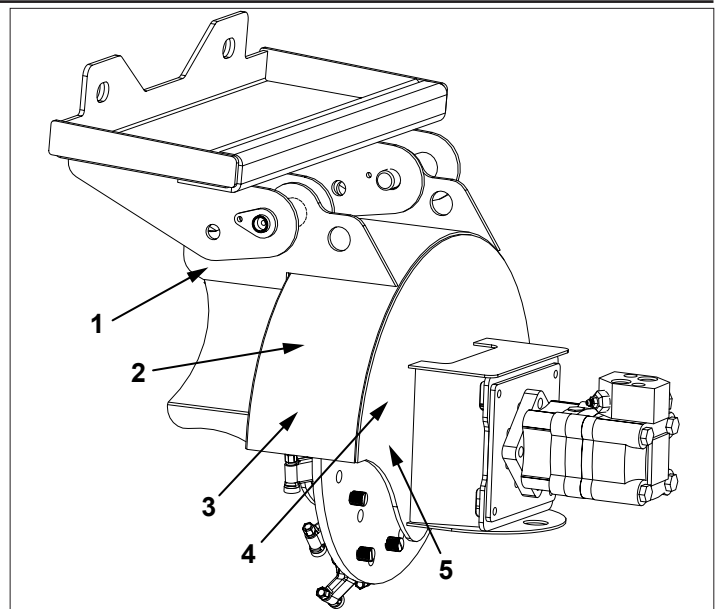
Do not make any alterations to your stump grinder. Altering may cause your equipment to be unsafe and may void the manufacturers' warranty.

**3.5 SAFETY WARNING LABELS**

**⚠ WARNING**

To protect you and others against death or serious injury, all labels shown must be on stump grinder and must be legible.

If any of these labels are missing or cannot be read, contact your dealer for replacement labels.



Label 1 - MTB-065



Label 2 - MTB-177

**! DANGER**



**THROWN OBJECT HAZARD**  
To prevent serious injury or death:

- Do not operate unless all guards are installed.
- Stop blade rotation if bystanders come within several hundred feet of machine.

MTB-177

Decal 5 - MTB-182

**! WARNING**



**HIGH PRESSURE FLUID HAZARD**  
To prevent serious injury or death from high pressure fluid:

- Relieve pressure on system before repairing or adjusting.
- Wear proper head and eye protection when searching for leaks. Use wood or cardboard instead of hands.
- Keep all components in good repair.

MTB-182

Label 3 - MTB-176

**! DANGER**



**ROTATING BLADES - KEEP AWAY**  
To prevent serious injury or death:

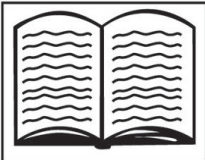
- Never allow riders; especially children on carrier or cutter.
- Do not operate with bystanders in cutting area.
- Do not operate with deflectors or guards removed.
- Do not place hands or feet near intake or under shield.

MTB-176

Label 6 - MTB-175

**! CAUTION**

- Read and understand the operator's manual before starting. Review safety instructions annually.
- Do not permit riders on the carrier or equipment. Never carry children on the machine.
- Do not allow children to operate the equipment.
- Operate only with guards installed and in good condition.
- Keep away from moving parts.
- Operate only with carrier equipped with ROPS and seat-belts.
- Before operating, clear debris away from production area.
- Do not operate in raised position.
- Turn machine off, lower machine to ground, stop engine, set park brake, remove ignition key and wait for all moving parts to stop before servicing, repairing, adjusting or unplugging.
- Support equipment securely before working beneath unit.
- Keep hydraulic components in good repair.
- Wear Personal Protective Equipment (PPE) including but not limited to hard hat, safety shoes with slip resistant soles, safety goggles or face shield and hearing protection whenever operating equipment.
- Transport with clean reflectors, SMV and working lights as required by federal, provincial and local laws.











MTB-175

Label 4 - D005262

**! WARNING:** This product can expose you to chemicals including 1,3-Butadiene and lead, which are known to the state of California to cause cancer and birth defects or other reproductive harm. For more information go to [www.P65Warnings.ca.gov](http://www.P65Warnings.ca.gov).

D005262

## 4. OPERATION

-  Quick-Attach must always be fully engaged and in the locked position.
-  Keep bystanders away from equipment while in use.
-  Always wear face or eye protection, safety shoes, and other protective equipment appropriate for the job.
-  Do not operate, work on or around this machine while under the influence of alcohol, drugs or if feeling ill.
-  Keep clear of moving machinery at all times.
-  Turn off machine before exiting operator station.
-  It is your responsibility to operate this equipment safely. You must be familiar with the equipment and all safety practices before use.
-  Do not allow untrained or unqualified people to operate this equipment.

## 4.1 PRE-OPERATION CHECK LIST

It is operators responsibility to perform the following checks prior to operation of equipment.

Review and understand this manual and operating unit manual.

Verify safety decals are installed and legible. Replace if damaged or missing.

Verify that all hardware is tight.

Inspect hoses and fittings for wear, damage and leaks. Replace damaged or leaking hoses before use.

Verify that local utilities have marked all underground wires, cables and pipelines.

Refer to operating unit operator's manual for prestarting instructions.

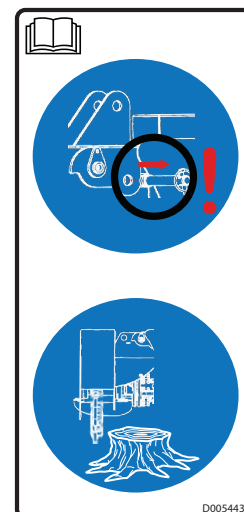
Check swing frame to verify that it is free from obstruction and can operate smoothly without binding.

Never bar over the rotor, This could cause damage and result in personal injury or equipment damage.

The stump grinder must be lifted in a vertical direction only. Due to the weight of the rotor the device must be adjusted accordingly.

## 4.2 STABILIZER PIN

Remove stabilizer pin before use to allow cutting wheel frame to pivot while grinding.



### **4.3 ATTACHING AND DETACHING**

1. Read and follow all safety instructions.
2. Attach skid steer to stump grinder. See skid steer Operator's Manual.
3. Verify pins are secure in the correct position.
4. Connect hydraulic hoses. Verify hydraulic hoses are clear of pinch areas.
5. Move to a clear open area to test functions.

### **4.4 OPERATION**

Before starting, stand to side of stump grinder and look at center point on bottom of cutting wheel, this will appear different from the skid steer seat and can be very deceiving.

Operate all functions in an open area with skid steer in idle to get a good feel for the controls.

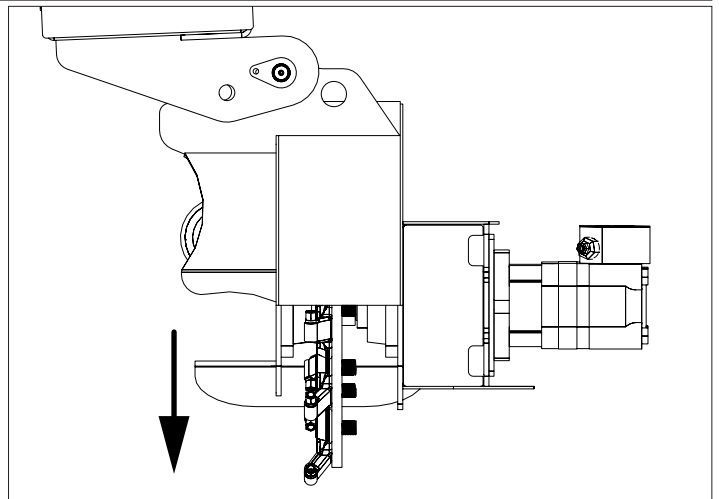


#### **WARNING**

**Prevent serious injury or death.**

**Turn off engine and remove key before leaving operator's seat.**

1. Attach stump grinder to skid steer. See Attaching And Detaching in this section.
2. If stump is on a grade, position skid steer in low area. This will position stump grinder in high area for a greater advantage of weight for stable cutting.
3. Move over stump so cutting wheel torques downward, pushing frame up to avoid binding.



4. Engage cutting wheel and slowly lower it in a controlled manor to desired cutting depth. Always lower cutting wheel beside stump, never try cutting down, always cut from the side.
5. Slowly move into the stump.
6. If cutting wheel stalls, stop motion and rise slightly. After a complete pass, move to home position and lower cutting wheel to desired position for next pass.
7. Continue lowering the passes until sump is completely removed.

## 5. ROUTINE MAINTENANCE

### WARNING

**Crushing hazard.**

**Raised, unsupported stump grinder can fall, resulting in death or serious injury.**

**Never enter the area under a raised stump grinder.**

### WARNING

**Moving parts can crush and cut.**

**Keep clear of moving components.**

**Lockout operating unit before performing maintenance.**

## 5.1 INSPECTIONS

Check hydraulic hoses and fittings daily for leaks. Replace hose if worn or damaged.

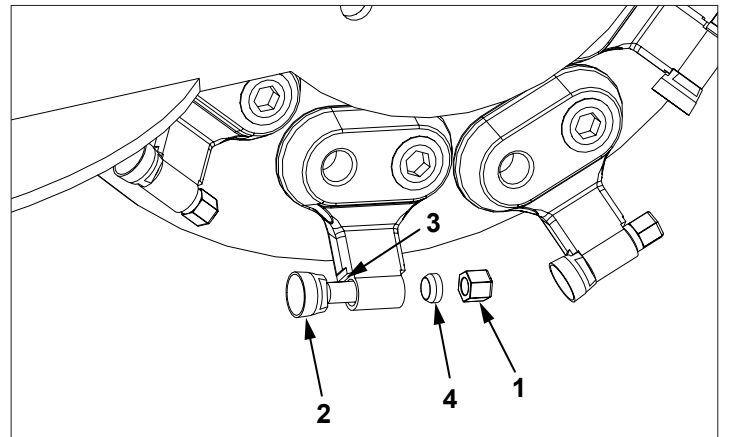
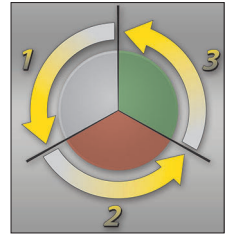
Inspect the unit for any buildup of contamination (dirt, stones, etc.).

Check cutting teeth every 2 hours of use. Keep cutting teeth in good condition. Unit will cut faster and remaining teeth will last longer if broken teeth are replaced.

## 5.2 ROTATE CUTTING TEETH

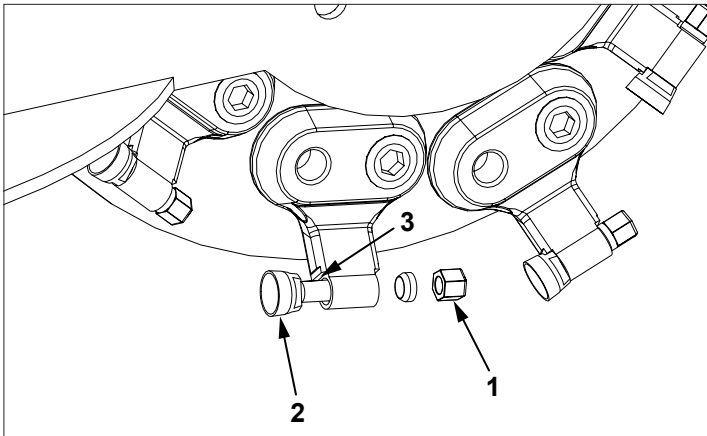
Each tooth can be rotated up to three times before replacement is necessary.

1. Park skidsteer and grinder on a level surface.
2. Lower grinder to the ground.
3. Shut off engine and remove key.
4. Inspect teeth for wear on outer edge. Once outer edge is worn, rotate tooth so a new edge is out (cutting).
5. Loosen locknut (A) on tooth (B) and rotate tooth 1/3 turn. Flat shoulder on tooth will fit against shoulder (C) on tooth holder.
6. Tighten locknut (A) to 20 lb/ft (27 Nm) of torque.



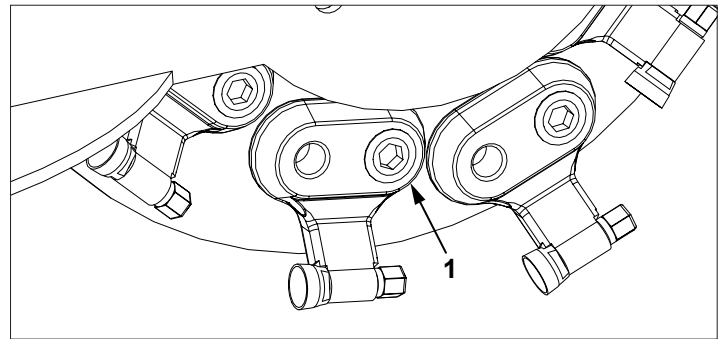
### 5.3 REPLACE CUTTING TEETH

1. Park skidsteer and grinder on a level surface.
2. Lower grinder to the ground.
3. Shut off engine and remove key.
4. Inspect cutting teeth (B) for damage and wear. Replace individual teeth as needed.
5. Remove locknut (A), spacer (D) and tooth (B). Install new tooth. Flat shoulder on tooth will fit against shoulder (D) on tooth holder.
6. Install spacer (D) and locknut (A). Tighten locknut (A) to 20 lb/ft (27 Nm) of torque.



### 5.4 REPLACE TOOTH HOLDER

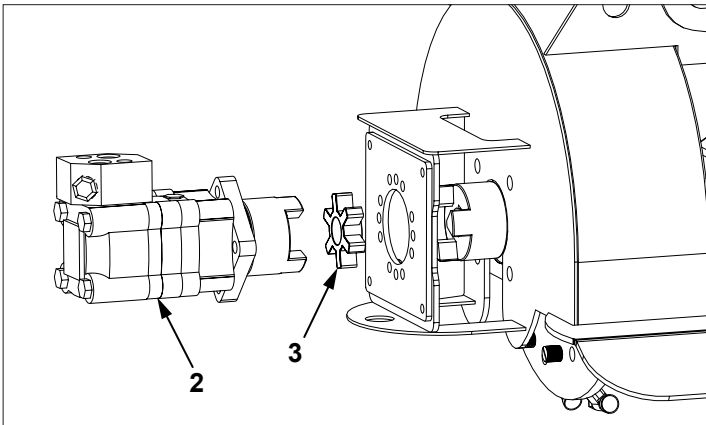
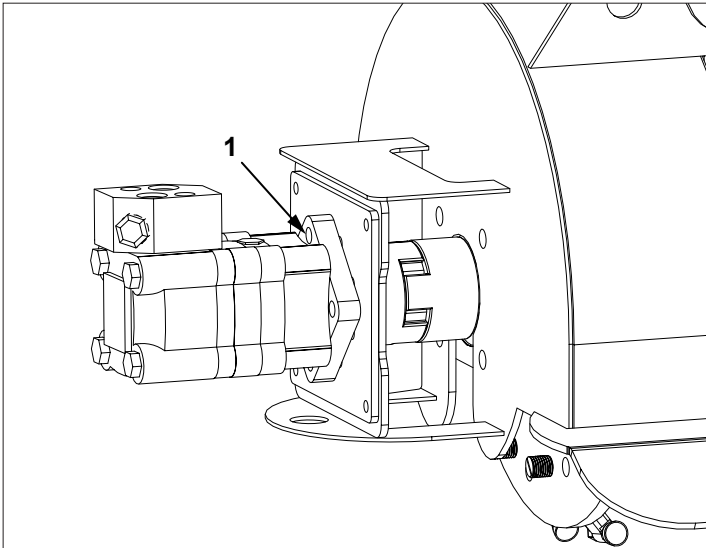
1. Park skidsteer and grinder on a level surface.
2. Lower grinder to the ground.
3. Shut off engine and remove key.
4. Inspect tooth holders (A) for damage and wear. Replace individual tooth holders as needed.
5. Remove tooth from tooth holder.
6. Remove mounting hardware on tooth holder (A). Install new tooth holder, install and tighten mounting hardware.
7. Install tooth into new tooth holder. Tighten locknut to 20 lb/ft (27 Nm) of torque.



8. Install replacement tooth and lock nut. Tighten locknut (1) to 95 lb/ft (129 Nm) of torque.

## 5.5 REPLACE COUPLER SPYDER

1. Park skidsteer and grinder on a level surface.
2. Lower grinder to the ground.
3. Shut off engine and remove key.
4. Remove four bolts (A) and remove hydraulic motor assembly (B).
5. Remove and replace coupler (C).
6. Install motor assembly (B) and bolts (A).



## 6. TROUBLESHOOTING

<b>Problem</b>	<b>Probable Cause</b>	<b>Solution</b>
Cutting wheel does not spin.	Cutting wheel jammed.	Remove material from cutting wheel.
	Low oil.	Check oil level in skid steer. Add if necessary.
	Not enough oil flow.	Check flow control on skid steer. See your dealer.
Cutting wheel low on power.	Low oil.	Check oil level in skid steer. Add if necessary.
	Oil filter plugged.	Replace skid steer oil filter.
	Relief valve not set properly.	Set relief valve. Pressure should be between 2,500 and 3,500 psi.
	Not enough oil flow.	Check flow control on skid steer. See your dealer.



**Skid Pro Attachments**  
**PO Box 982**  
**Alexandria, MN 56308**  
**[www.skidpro.com](http://www.skidpro.com)**  
**December 2020**