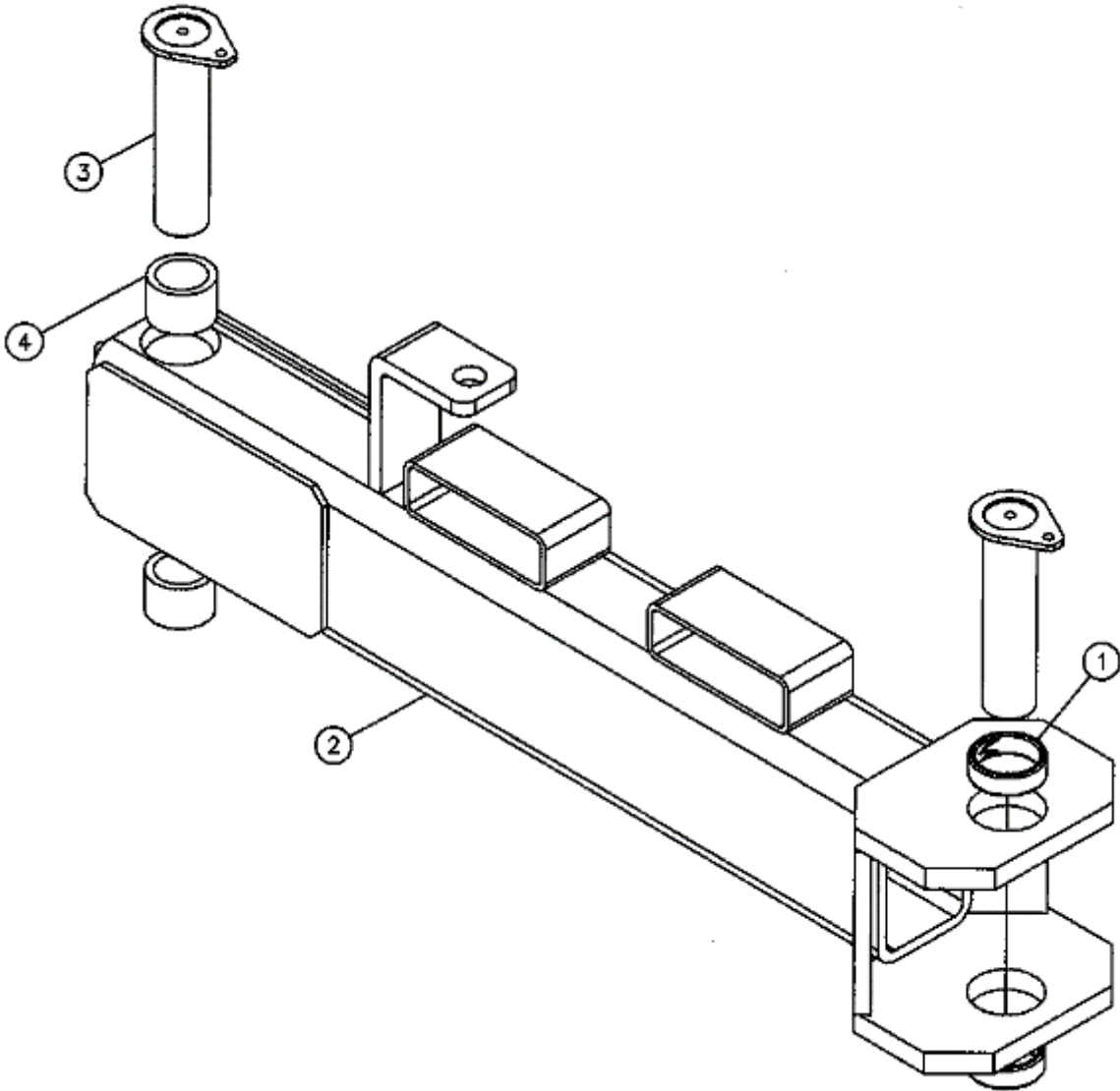
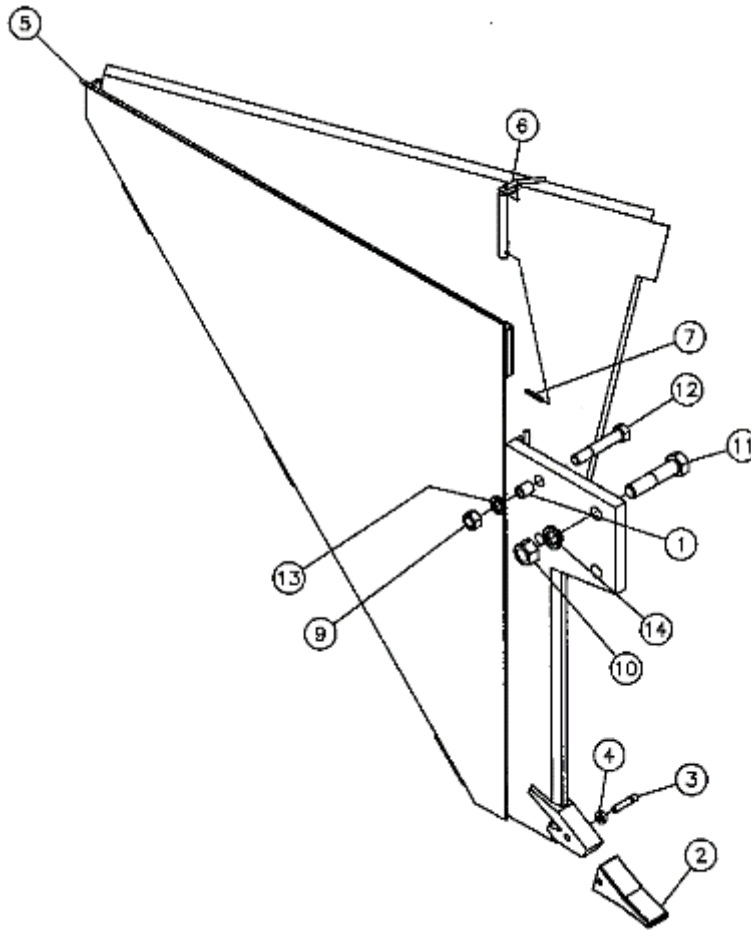


**Center Beam**



Key	Qty.	Part No.	Description
1	4	1200-49	Split Bushing
2	1	10051	Center Beam
3	2	10092	2" Pin Pivot Point
4	2	1200-54	Short 2" ID Bushing

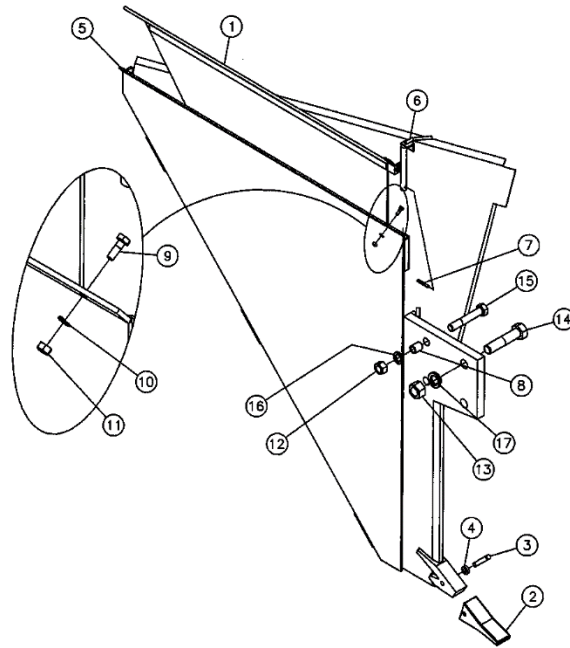
### 36" Chute with 1" Knife



Key	Qty.	Part No.	Description
1	2	1200-25	Shear Bolt Bushing
2	1	103202	Forged Tooth *
3	1	8E6208	Pin for Tooth *
4	1	8E6209	Retainer for Tooth *
5	1	1200-42	Chute Assembly with 1" Knife
6	1	201030	Pin for Chute
7	1	1200-17	1/4" x 1 1/2" Roll Pin
8	2	1200-25	Shear Bolt Bushing
9	1	1200-01	5/8" Nut
10	1	1200-03	1" Nut
11	1	1200-05	1" x 4 1/2" Bolt
12	1	1200-06	5/8" x 4 1/2" Bolt (GRADE 8)
13	1	1200-58	5/8" Lock Washer
14	1	1200-57	1" Lock Washer

\* Caterpillar Part Nos.

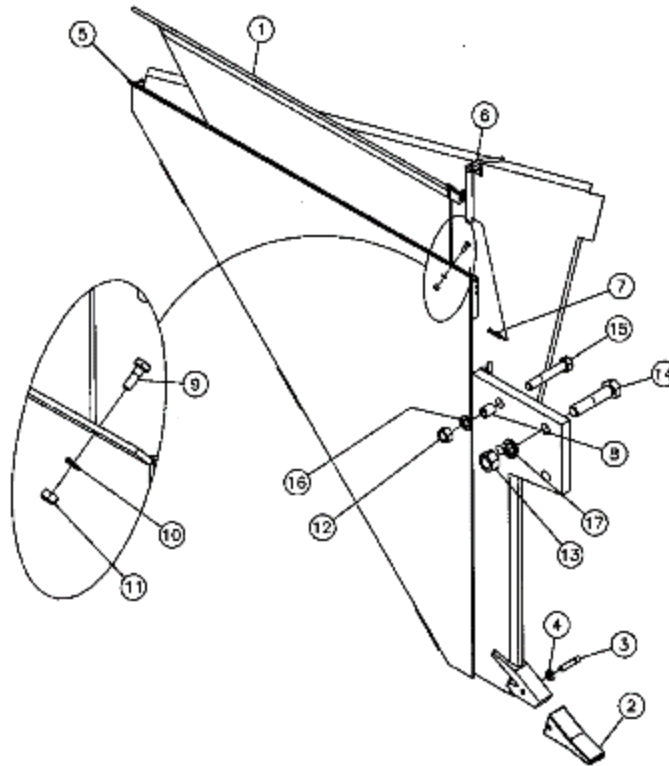
## 42" Chute with 1" Knife



KEY	QTY.	PART NO.	DESCRIPTION
1	1	1200-39	Fabric Curtain (42")
2	1	103202	Forged Tooth *
3	1	8E6208	Pin for Tooth *
4	1	8E6209	Retainer for Tooth *
5	1	1200-42	Chute Assembly with 1" Knife
6	1	201030	Pin for Chute
7	1	1200-17	1/4" x 1 1/2" Roll Pin
8	2	1200-25	Shear Bolt Bushing
9	1	1200-13	1/4" X 3/4" Bolt
10	1	1200-16	1/4" Lock Washer
11	1	1200-21	1/4" Nut
12	1	1200-01	5/8" Nut
13	1	1200-03	1" Nut
14	1	1200-05	1" x 4 1/2" Bolt
15	1	1200-06	5/8" x 4 1/2" Bolt (GRADE 8)
16	1	1200-58	5/8" Lock Washer
17	1	1200-57	1" Lock Washer

\* Caterpillar Part Nos.

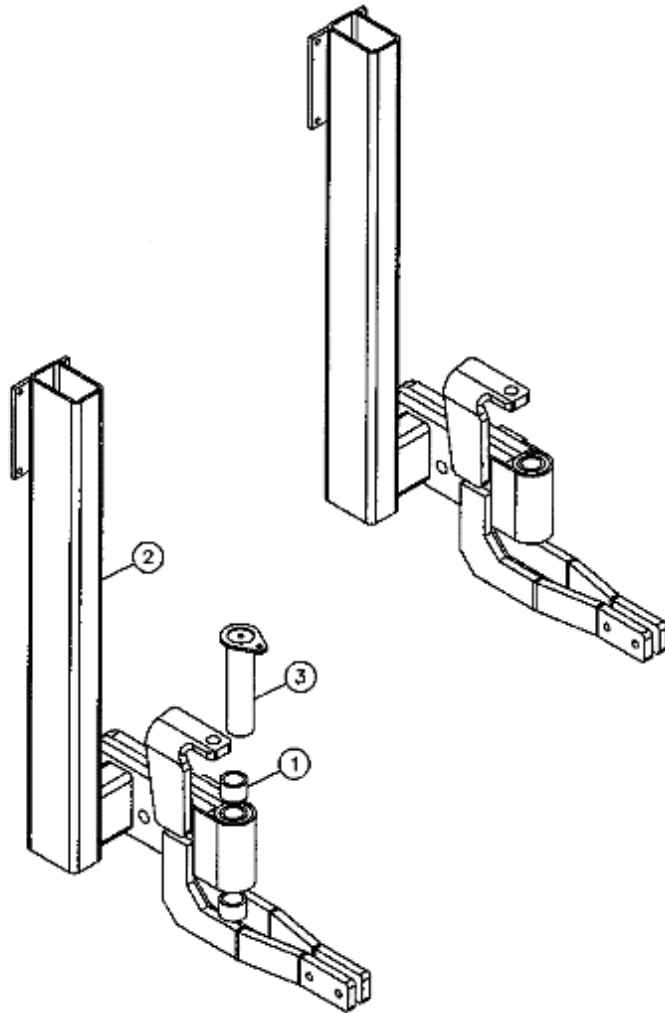
## 48" Chute with 1" Knife



KEY	QTY.	PART NO.	DESCRIPTION
1	1	1200-40	Fabric Curtain (48")
2	1	103202	Forged Tooth *
3	1	8E6208	Pin for Tooth *
4	1	8E6209	Retainer for Tooth *
5	1	1200-33	Chute Assembly with 1" Knife
6	1	201030	Pin for Chute
7	1	1200-17	1/4" x 1 1/2" Roll Pin
8	2	1200-25	Shear Bolt Bushing
9	1	1200-13	1/4" X 3/4" Bolt
10	1	1200-16	1/4" Lock Washer
11	1	1200-21	1/4" Nut
12	1	1200-01	5/8" Nut
13	1	1200-03	1" Nut
14	1	1200-05	1" x 4 1/2" Bolt
15	1	1200-06	5/8" x 4 1/2" Bolt (GRADE 8)
16	1	1200-58	5/8" Lock Washer
17	1	1200-57	1" Lock Washer

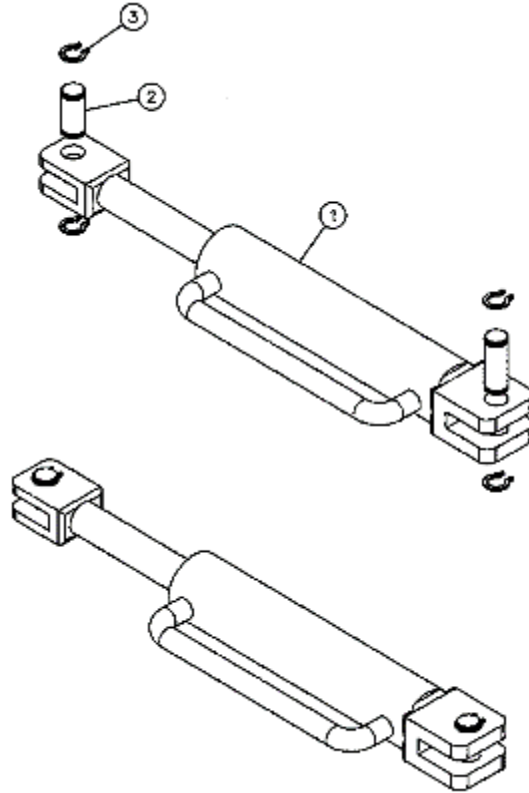
\* Caterpillar Part Nos.

## Rear Pivot Assembly



KEY	QTY.	PART NO.	DESCRIPTION
1	2	1200-54	Short 2" ID Bushing
2	1	1200-53	Rear Pivot Assembly
3	2	10092	2" Pin Pivot Point

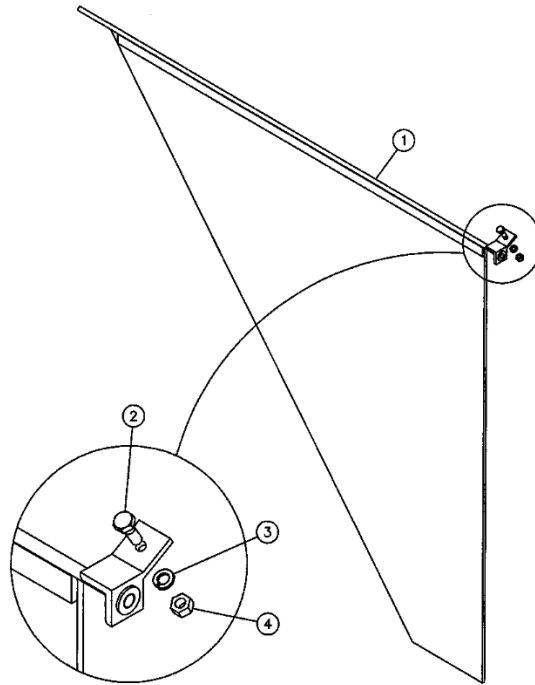
## Swing Dampening Cylinder Detail



KEY	QTY.	PART NO.	DESCRIPTION
1	1	1200-45	Swing Dampening Cylinder – Standard Offset Model
2	2	1200-43	Cylinder Pin
3	4	1200-44	Snap Ring
	1	1200-22	Full Cylinder Assembly

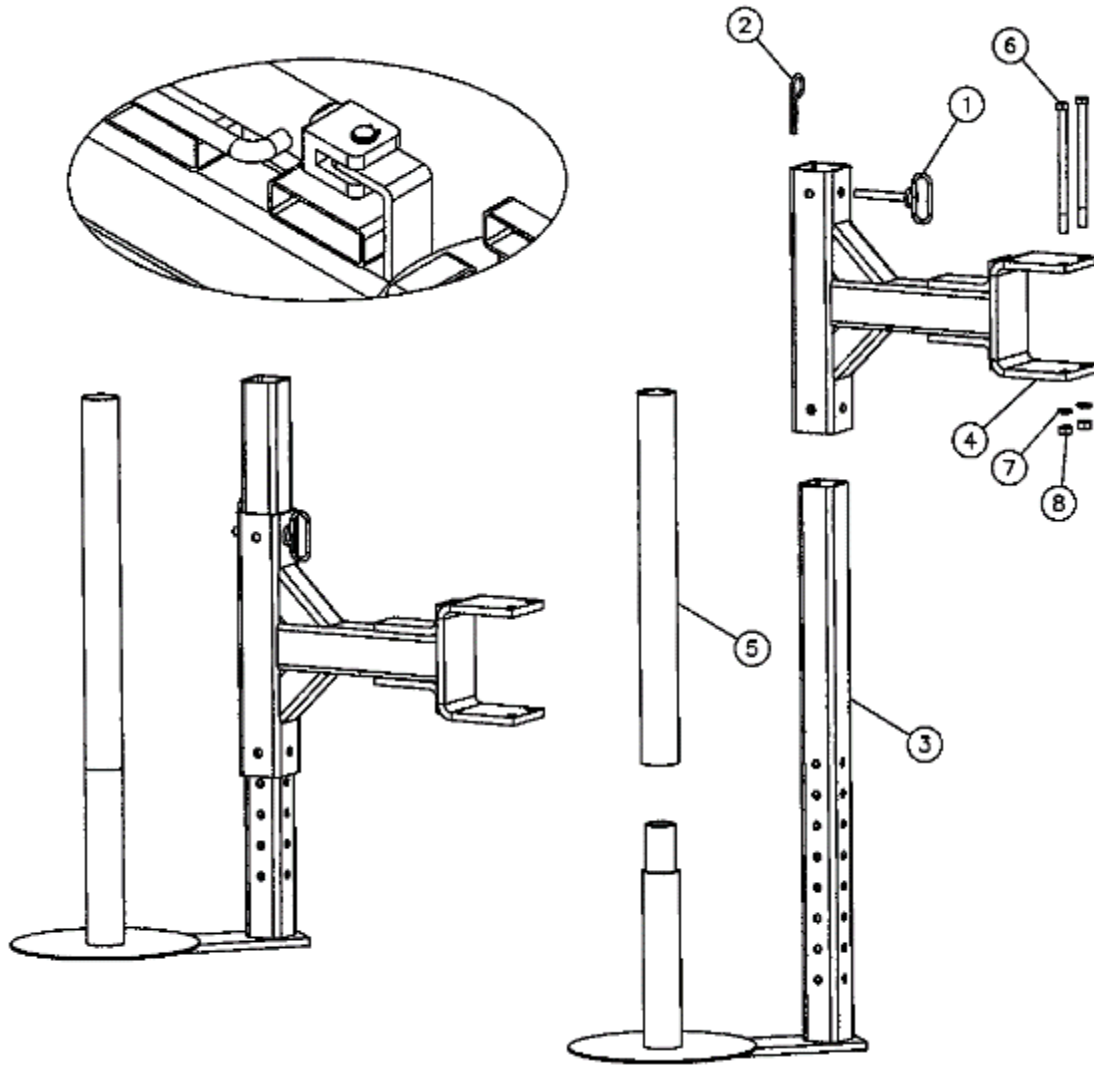
## Optional Fabric Curtain

Standard on 42" and 48" Models



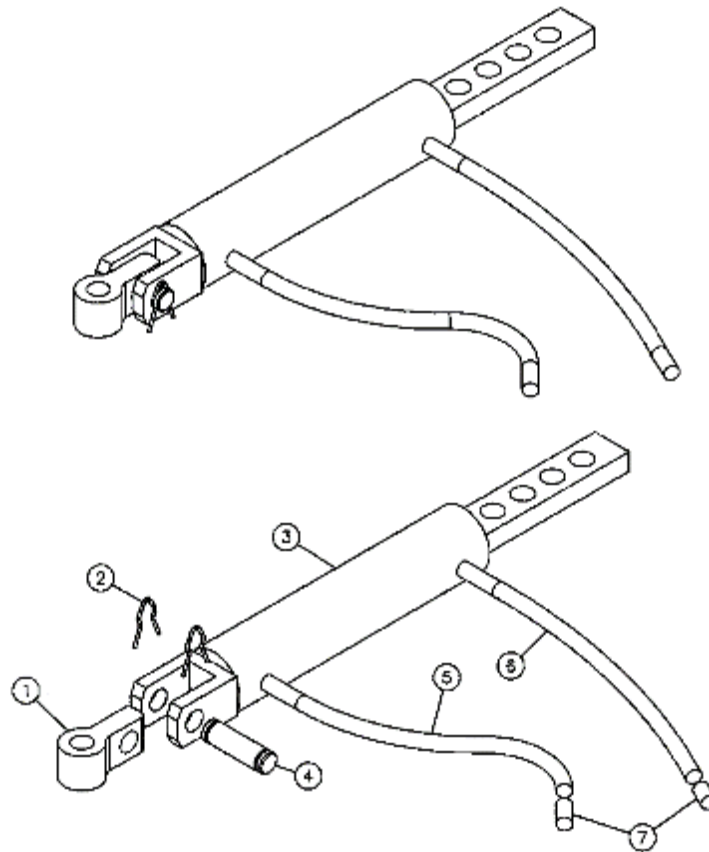
KEY	QTY.	PART NO.	DESCRIPTION
1	1	1200-38	Fabric Curtain (36")
2	1	1200-13	1/4" x 3/4" Bolt
3	1	1200-16	1/4" Lock Washer
4	1	1200-21	1/4" Nut

## Optional Wire Unroller



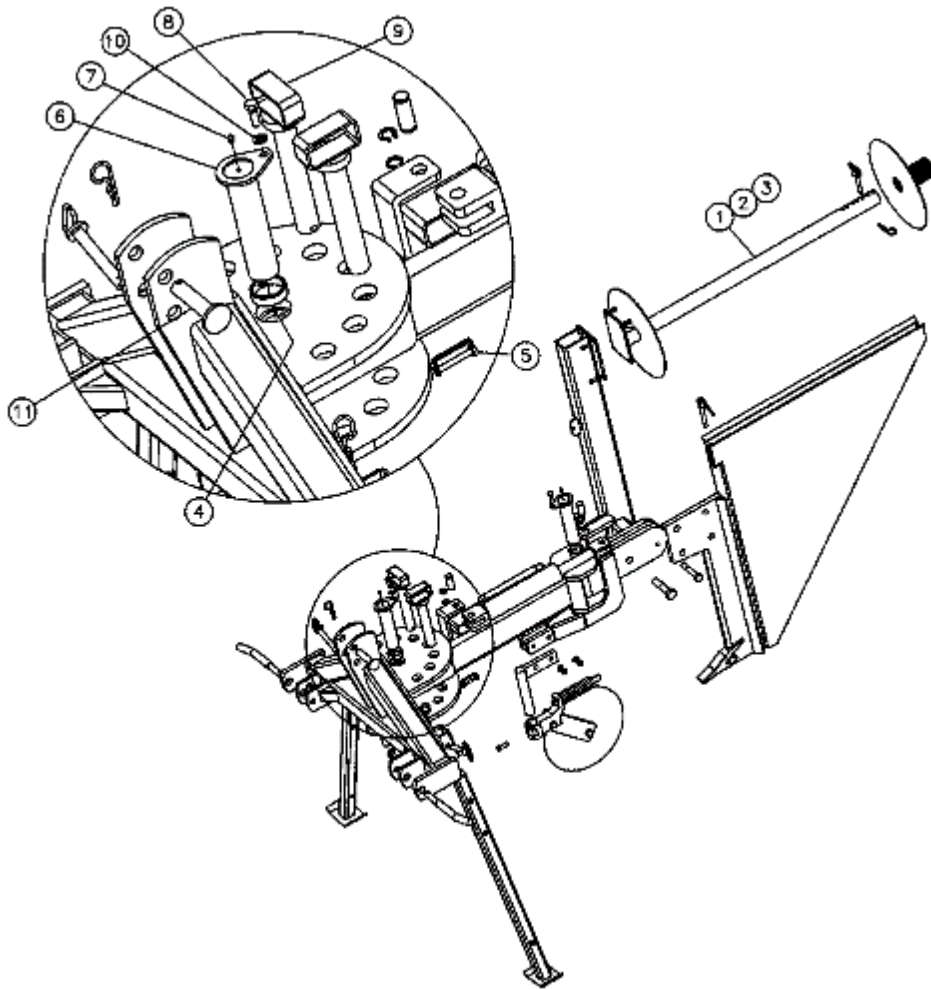
KEY	QTY.	PART NO.	DESCRIPTION
1	1	1200-32	7/16" X 4" Hitch Pin
2	1	1200-15	3/16" Hair Pin
3	1	10097	Fabric Curtain (48")
4	1	201109	Fabric Curtain (42")
5	1	1200-02	Top Pipe Wire Unroller
6	2	1200-10	1/2" x 8" Bolt
7	2	1200-19	1/2" Lock Washer
8	2	1200-04	1/2" Nut
	1	RWU-1056	Full Wire Unroller Assembly

## Optional Top Link Cylinder



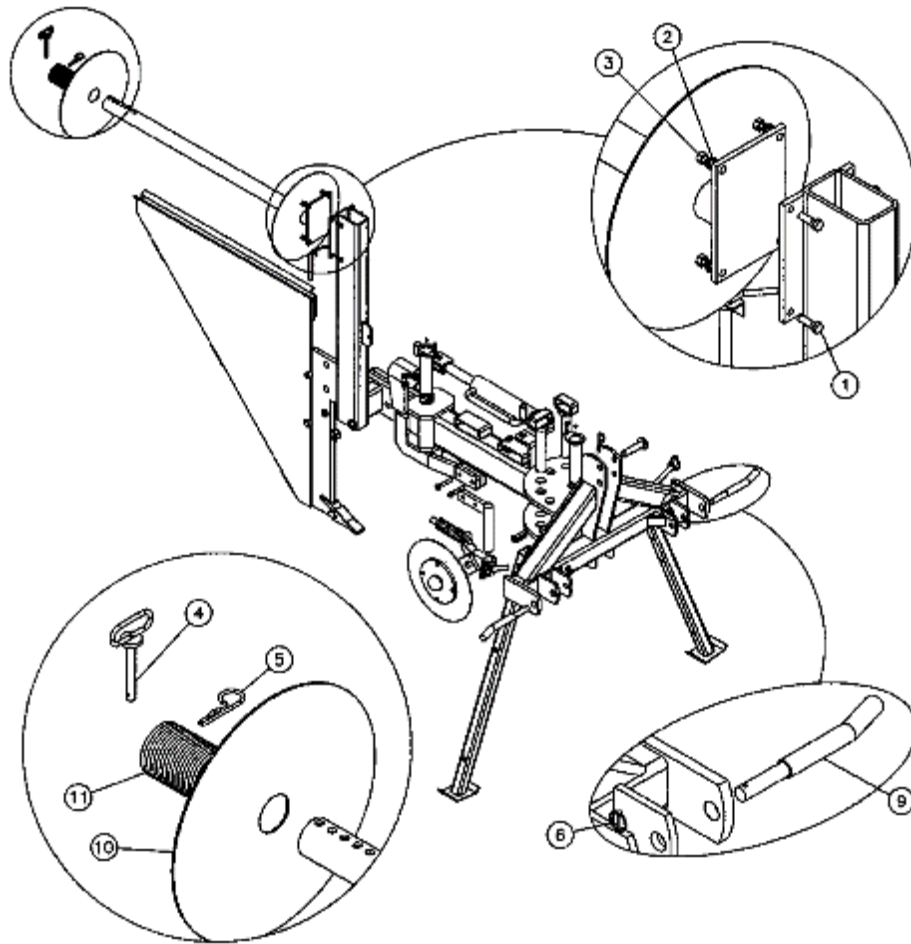
KEY	QTY.	PART NO.	DESCRIPTION
1	1	1200-60	Front Block
2	2	1200-61	Cylinder Pin
3	1	1200-62	Fabric Curtain (48")
4	1	1200-63	Fabric Curtain (42")
5	1	1200-64	Cylinder Hose – 24"
6	1	1200-65	Cylinder Hose – 30"
7	2	1200-66	Pioneer Ends
	1	HTL-1055	Full Top Link Cylinder Assembly

Diagram - A



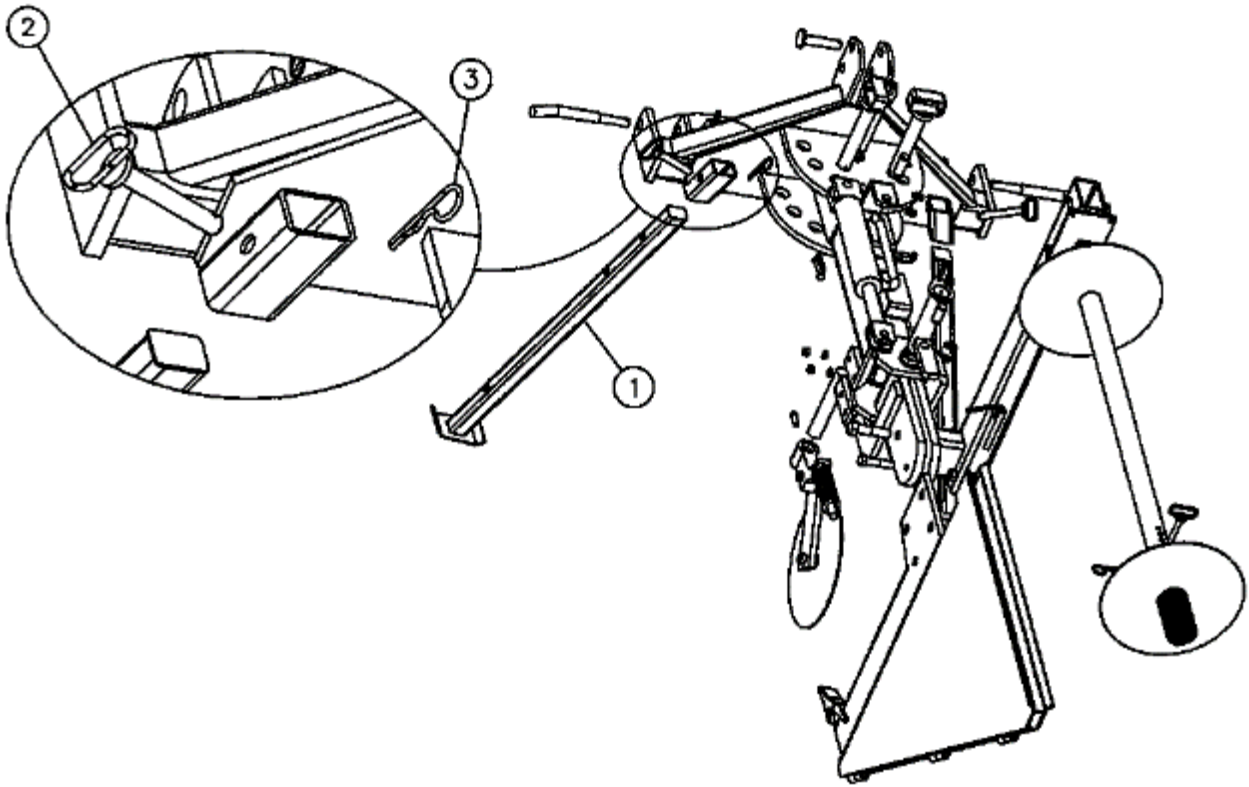
KEY	QTY.	PART NO.	DESCRIPTION
1	1	201021	Fabric Rod Holder – 36"
2	1	1200-35	Fabric Rod Holder – 42"
3	1	1200-36	Fabric Rod Holder – 48"
4	2	1200-49	Split Bushing (2" ID)
5	2	1200-52	Squared Retainer Snap Pin
6	2	10092	2" Pin Pivot Point
7	2	1200-55	5/16 Drive-in Grease Zerk
8	2	1200-56	1/2" x 1 1/2" Bolt
9	2	201073	Pin for Rotary Offset
10	2	1200-19	1/2" Lock Washer
11	1	1200-14	Top Link Pin

Diagram - B



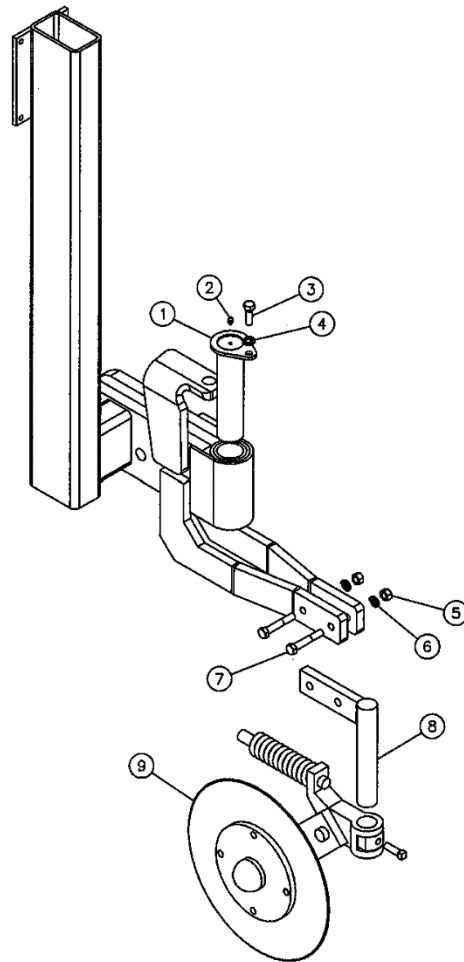
KEY	QTY.	PART NO.	DESCRIPTION
1	4	1200-07	3/8" X 1 1/2" Bolt
2	4	1200-08	3/8" Lock Washer
3	4	1200-09	3/8" Nut
4	2	1200-32	1/2" x 4" Hitch Pin with Hair Pin
5	3	1200-15	3/16" Hair Pin
6	1	1200-23	Retaining Pin
7	1	201106	Coulter Bracket/Offset
8	1	1200-47	Coulter Assembly
9	1	201028	Cat. 1 & 2 3-Point Pin
10	1	201031	Removable Fabric Retention Plate
11	1	1200-12	Fabric Tension Spring

Diagram - C



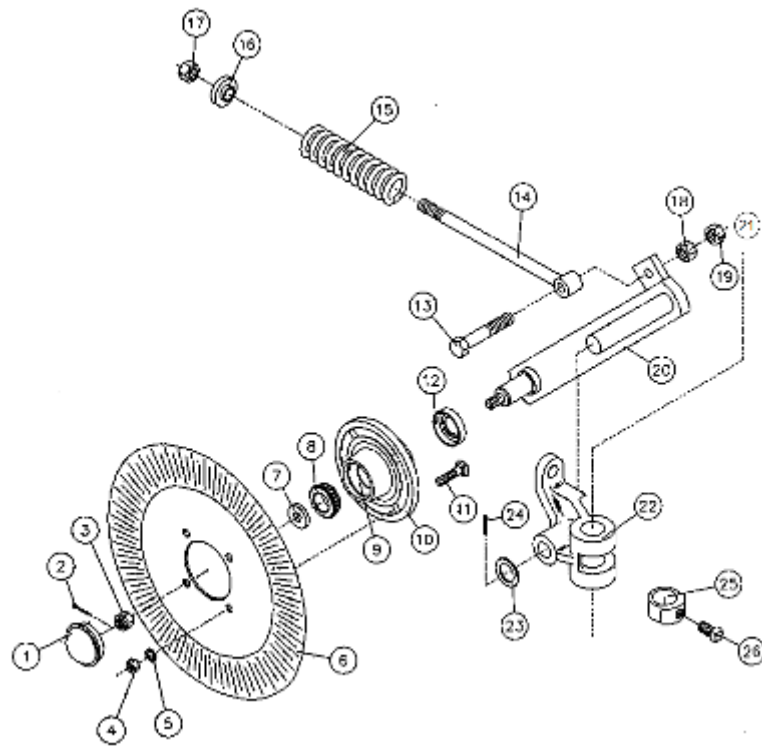
KEY	QTY.	PART NO.	DESCRIPTION
1	2	201018	Leg for Silt Fence Plow
2	2	1200-32	1/2" x 4" Hitch Pin with Hair Pin
3	3	1200-15	3/16" Hair Pin

**Diagram - D**



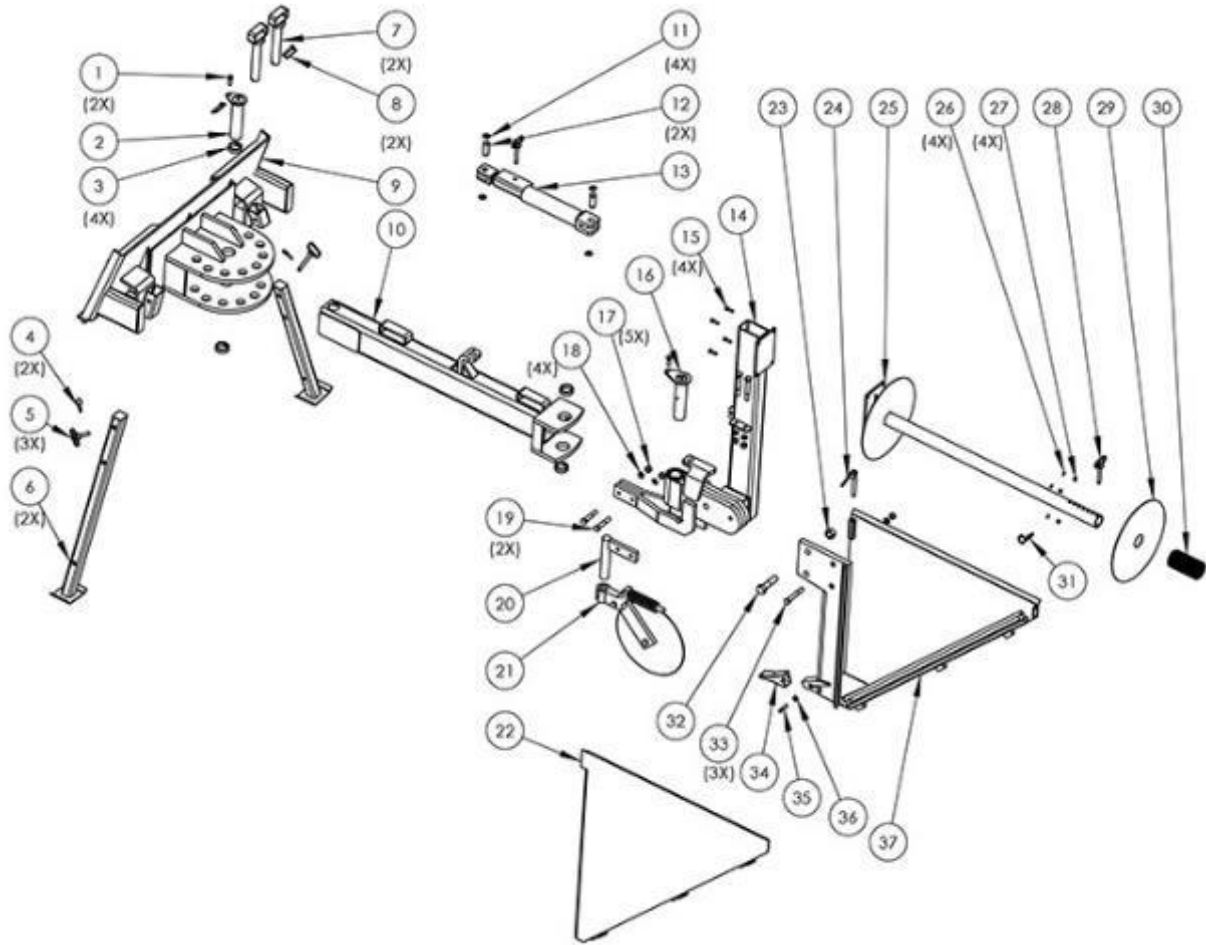
KEY	QTY.	PART NO.	DESCRIPTION
1	1	10092	2" Pin Pivot Point
2	1	1200-55	5/16" Drive-in Grease Zerk
3	1	1200-56	1/2" x 1 1/2" Bolt
4	2	1200-19	1/2" Lock Washer
5	2	1200-01	5/8" Nut
6	2	1200-58	5/8" Lock Washer
7	2	1200-20	5/8" x 3" Bolt
8	1	201106	Coultter Bracket/Offset
9	1	1200-47	Coultter Assembly

Diagram - E



KEY	QTY.	PART NO.	DESCRIPTION
1	1	2570-375	Hub Cap
2	1	2531-102	1/8" X 1 1/4" Cotter Pin, Black
3	1	2520-469	5/8-1/ Slotted Hex Nut, Black
4	4	2520-352	1/2-13 Hex Nut ZP
5	4	2525-352	1/2" Med Lock Washer ZP
6	1	2571-161	.157 x 15.94" Ripple Blade
7	1	2526-449	5/8" Flat Washer, 1/4 ± .010 THK
8	2	2550-027	Cone, LM67048
9	2	2550-029	Cup (Pre-Assembled with #18
10	1	2900-102	Hub Sub-Assembly
11	4	2505-337	1/2-13 x 1 1/4" Carriage Bolt GR 5 ZP
12	1	2250-115	Seal CR 16069
13	1	2502-410	3/4-16 x 3" HHCS GR 5 ZP
14	1	2570-125	Pressure Rod, 9 3/8" Eyebolt
15	1	2550-708	7/16 Wire 2 1/8 OD x 1 1/4 ID x 7 1/4 C Spring
16	1	2555-112	2910 Spring Bushing Casting
17	1	2520-515	3/4-10 Lock Hex Nut ZP
18	1	2520-508	3/4-16 Hex Nut ZP
19	1	2520-511	3/4-16 Lock Hex Nut ZP
20	1	2910-201	Coulter Arm W.A.
21	1	2990-318	16" Straight Shank
22	1	2910-320	Pivot Casting Assembly
23	1	2526-561	1 17/64" ID x 1 7/8" OD x 14GA MB BL
24	1	2531-125	1/4" x 3/4" Cotter Pin ZP
25	1	2910-301	Locking Collar Plow Coulter
26	1	2503-379	5/8-11 x 1 SQ HCPSS GR 5 ZP
27	1	2531-161	5/16" x 2 1/2" Cotter Pin ZP
28	1	2530-208	3/8" x 2 1/2" Roll Pin ZP

# Push-Pull Parts Diagram and List



<b>KEY</b>	<b>QTY.</b>	<b>PART NO.</b>	<b>DESCRIPTION</b>
1	2	P10001	Bolt
2	1	F10001	Pivot Pin
3	4	P10002	Bushing
4	2	P10003	Clip Pin
5	3	P10004	Hitch Pin
6	2	F10002	Leg Silt Fence Plow
7	2	F10003	Locking Pin for Rotary
8	2	F10004	Lock Pin
9	1	F10005	Front Assembly
10	1	F10006	Arm Assembly
11	4	F10007	Retaining Pin
12	2	F10008	Cylinder Pin
13	1	F10009	Cylinder Assembly
14	1	F10010	Rear Pivot Assembly
15	4	P10005	Bolt
16	1	F10011	Pivot Pin Silt Fence Plow
17	5	P10006	Nut
18	4	P10007	Lock Washer
19	2	P10008	Bolt
20	1	F10012	Shaft for Coulter
21	1	P10009	Coulter
22	1	F10013	Hinged Gate
23	1	P10010	Nut
24	1	F10014	Gate Pin
25	1	F10015	Spool Bar
26	4	P10011	Lock Washer
27	4	P10012	Nut
28	1	F10016	Hitch Pin
29	1	F10017	Spool Washer
30	1	F10018	Spring for Spool
31	1	P10013	Cotter Pin
32	1	P10014	Bolt
33	3	P10015	Bolt
34	1	F10019	Tooth Tip
35	1	F10020	Tooth Press Pin