



Silt Fence Plow

Operation and Maintenance Manual



Revision Date: July 2017

Skid Pro
PO Box 982
Alexandria, MN 56308
Toll Free: 877-378-4642

www.skidpro.com

TABLE OF CONTENTS

INTRODUCTION	3
To the Purchaser	3
Illustrations.....	3
Direction Reference	3
SAFETY PRECAUTIONS	4
BEFORE OPERATION	4
THE SKID STEER	5
General Information	5
Operating the Skid Steer.....	5
During Operation.....	6
Engine Speed	6
Engaging the Drive Mechanism	6
Roll-Over Protective Structure (ROPS) During Operation.....	7
TRANSPORTING	7
STORAGE	7
MAINTENANCE - GENERAL	8
MAINTENANCE – SILT FENCE PLOW.....	9
Lubrication	9
Cutting Knife Point	9
Replaceable Cutting Knife Point	9
HELPFUL TIPS FOR USING THE SILT FENCE PLOW	9
Fabric Material	9
Hard Ground-Egg Shaped Fabric	9
Turning.....	10
Setting the Desired Depth of Fabric Installation	10
Hydraulic Top Link Cylinder Operation.....	10
When to Use and Not to Use the Spring Loaded Cutting Coulter	10
Adjusting the Depth of the Coulter and Removing the Coulter	11
When to Use the Fabric Curtain (Optional)	11
ASSEMBLY INSTRUCTIONS.....	11
INSTRUCTIONS FOR ROTATING PLOW TO 30° OR 60° SETTINGS	17
WARNING DECALS.....	19
Warning Decal Placement and Part Numbers.....	23
SILT FENCE PLOW DETAILED PARTS DIAGRAMS AND LISTS	24
Introduction	24
Interchangeable Front Assembly for Rotary Offset Model.....	24
Center Beam.....	25

36" Chute with 1" Knife.....	26
42" Chute with 1" Knife.....	27
48" Chute with 1" Knife.....	28
Rear Pivot Assembly.....	29
Swing Dampening Cylinder Detail.....	30
Optional Fabric Curtain.....	31
Optional Wire Unroller.....	32
Instructions for Installing Optional Wire Unroller.....	33
Optional Top Link Cylinder.....	34
Optional Center Pull Skid Loader Plate.....	35
Instructions for Using the Center Pull Skid Loader Plate.....	35
Diagram - A.....	36
Diagram - B.....	37
Diagram - C.....	38
Diagram - D.....	39
Diagram - E.....	40
Push-Pull Parts Diagram and List.....	41
GREASE POINTS.....	43
FABRIC ROLL INSTALLATION.....	44
OPERATING THE SILT FENCE PLOW.....	45
SKID PRO ATTACHMENT WARRANTY.....	49

INTRODUCTION

To the Purchaser

All products are designed to give safe, dependable service if they are operated and maintained per instructions. Read and understand this manual before operation.

This manual has been prepared to assist the owner and operators in the safe operation and suitable maintenance of the equipment. The information was applicable to products at the time of manufacture and does not include modifications made afterwards.

Read and understand this operator's manual before attempting to put equipment into service. Familiarize yourself with the operating instructions and all the safety recommendations contained in this manual and those labeled on the equipment and on the skid steer. Follow the safety recommendations and make sure that those with whom you work follow them.

Illustrations

The illustrations may not necessarily reproduce the full detail and the exact shape of the parts or depict the actual models, but are intended for reference only.

Direction Reference

All references to right hand (RH) and left hand (LH), forward or rearward, are determined by facing in the direction the machine will travel when in use unless otherwise stated.

To assist your dealer in handling your needs, please record hereafter the model number and the serial number of your equipment and skid steer. It is also advisable to supply them to your insurance company. It will be helpful in the event that an equipment or skid steer is lost or stolen.

SKID STEER

IMPLEMENT

MODEL: _____

SERIAL NUMBER: _____

DATE OF PURCHASE: _____

DEALER NAME: _____

SAFETY PRECAUTIONS

1. Read and understand this operator's manual and skid steer operator's manual. Know how to operate all controls and how to stop the unit and disengage the controls quickly.
2. Never wear loose, torn, or bulky clothing around the skid steer and the silt fence plow. It may catch on moving parts or controls, causing injury.
3. Before and during use, thoroughly inspect the area where the equipment is to be used and remove all objects that may cause damage to the equipment.
4. Set transmission to neutral and disengage clutch, if equipped, before starting the engine.
5. Do not operate equipment without protective clothing.
6. Never attempt to make any adjustments while engine is running. Read this manual carefully to acquaint yourself with the equipment as well as the skid steer operator's manual. Working with unfamiliar equipment can lead to accidents. Be thoroughly familiar with the controls and proper use of the equipment.
7. Keep all safety guards in place and verify hardware for proper tightening.
8. Check for moving parts excessive wear regularly. Replace worn parts with genuine parts.
9. Replace all missing, illegible, or damaged safety and warning decals. See list of decals in operator's manual.
10. Keep safety decals clean of dirt and grime.
11. Do not modify or alter this equipment or any of its components, any equipment or any of its components or any equipment function without first consulting your dealer.
12. Use of counterweights is recommended. Weights provide the necessary balance to improve stability, traction and steering. Use only those recommended by your dealer.

BEFORE OPERATION

1. Before leaving the skid steer unattended, take all possible precautions. Park the skid steer/silt fence plow on level ground, place the transmission in neutral, set the parking brake, disengage the Aux hydraulics, lower the equipment to the ground, place all levers including auxiliary control levers in neutral, shut off the engine and remove the ignition key.
2. Prior to operation mark all curbs, pipes, etc. that cannot be moved.
3. Be sure the Aux hydraulics switch/lever is in OFF position before starting engine.
4. Exercise extreme caution when operating on or crossing a gravel drive, walks, or roads. Stay alert for hidden hazards or traffic.
5. Do not carry passengers.
6. Keep clear of moving parts.
7. Park the skid steer/silt fence plow on level ground, place the transmission in neutral, set the parking brake, disengage the Aux hydraulics, lower the equipment to the ground, place all control levers in neutral, shut off the engine, remove the ignition key and allow the moving parts to stop BEFORE and making any repairs, adjustments or inspections.
8. If the silt fence plow starts to vibrate abnormally, disengage the Aux hydraulics, stop the engine immediately and check for cause. Excessive vibration is generally a sign of trouble.

9. Do not run the engine indoors except when starting engine and transporting attachment in or out of building. Carbon monoxide gas is colorless, odorless and deadly.
10. Do not attempt to operate on steep slopes. If operating on slopes is necessary, exercise extreme caution when changing direction.
11. Never operate silt fence plow without safety protective devices in place.
12. Never operate machine at high transport speeds on a slippery surface.
13. Use extra caution when backing up.
14. Never operate the silt fence plow without good visibility and lighting.
15. Prolonged exposure to loud noise can cause impairment or loss of hearing. Wear a suitable hearing device such as earmuffs or earplugs to protect against objectionable or uncomfortable noises.
16. Never allow anyone near the work area.

THE SKID STEER

General Information

1. Read the operator's manual carefully before using skid steer. Lack of operating knowledge can lead to accidents.
2. Do not permit anyone but the operator to ride on the skid steer. There is no safe place for passengers.

Operating the Skid Steer

1. Never run the skid steer engine in a closed building without adequate ventilation, as the exhaust fumes are very dangerous.
2. Adopt safe driving practice: Keep the parking brake on at all times during transportation.
3. Always drive at a safe speed relative to local conditions and ensure that your speed is low enough for an emergency stop to be safe and secure.
4. Reduce speed prior to turns to avoid the risk of overturning. Keep speed to a minimum.
5. Always keep the skid steer in gear to provide engine braking when going downhill. Do not coast.
6. Never allow an open flame near the fuel tank or battery.
7. Make sure the proper shields are installed when using the equipment and always replace the shields if damaged.
8. Park the skid steer/silt fence plow on level ground, place the transmission in neutral, set the parking brake, disengage the Aux hydraulics, lower the equipment to the ground, place all levers including auxiliary control levers in neutral, shut off the engine and remove the ignition key BEFORE leaving the skid steer.
9. Never park or operate the skid steer on a steep slope. Avoid sudden uphill turns on steep slopes.
10. Use of counterweights for better traction and stability is recommended.
11. Handle fuel with care, as it is highly flammable.
12. Use approved fuel container, never add fuel to running engine or a hot engine.

13. Fill fuel tank outdoors with extreme care. Never fill fuel tank indoors. Replace fuel cap securely and wipe up spilled fuel.
14. Never allow anyone to operate the silt fence plow until they have read the manual completely and are thoroughly familiar with basic skid steer and silt fence plow operation.
15. Make sure the skid steer is counterweighted as recommended by your dealer. Weights provide the necessary balance to improve stability, traction and steering.
16. Always make sure all silt fence plow components are properly installed and securely fastened BEFORE operation.
17. Always start the engine from the operator's seat with all the transmission lever(s) and silt fence plow drive lever (if applicable) in neutral.
18. DO NOT bypass the safety system by shorting across the terminals of the starter motor to start the engine. This may cause the skid steer to move suddenly.
19. If the safety start system does not work, consult your dealer immediately.

During Operation

1. Do not allow passengers on the skid steer/silt fence plow at any time. There is no safe place for passengers on the equipment. The operator MUST sit in the skid steer seat.
2. Eye and hearing protection is recommended when operating the silt fence plow.
3. Operate only during daylight hours, or when the area is well lit with bright artificial light.
4. Park the skid steer/silt fence plow on level ground, place the transmission in neutral, set the parking brake, disengage the Aux hydraulics, lower the equipment to the ground, place all control levers in neutral, shut off the engine and remove the ignition key BEFORE leaving the operator's seat.
5. Inspect the silt fence plow after striking any foreign object to assure that all silt fence plow parts are safe and secure and not damaged.
6. Be especially observant of the operating area and terrain. Watch for holes, rocks, or other hidden hazards. ALWAYS inspect the area prior to using the silt fence plow.
7. DO NOT use the silt fence plow near the edge of drop-offs or banks.
8. DO NOT use the silt fence plow on steep slopes as overturn may result.
9. Operate up and down (not across) intermediate slopes. Avoid sudden starts and stops.
10. Drive skid steer backwards up steeper slopes.
11. Slow down before you change directions on any slope.
12. Use wheel weights on your skid steer to increase stability on slopes.
13. Never stand alongside of the unit while the engine is running.

Engine Speed

1. Start the skid steer engine. Let the engine warm up at least one minute before engaging the drive mechanism then increase speed gradually.
2. Make sure the silt fence plow is properly positioned and engage the drive mechanism.
3. Adjust the ground speed according to conditions.

Engaging the Drive Mechanism

Refer to the skid steer's operating manual for instructions.

Roll-Over Protective Structure (ROPS) During Operation

1. DO NOT weld, drill or alter the ROPS. Damaged ROPS must not be straightened or used. If damage does occur, consult your dealer.
2. If ROPS is lowered or removed from the skid steer for any reason, it must be erected and/or refitted immediately. Original bolts or equivalent replacements must be used and tightened to the correct torque.
3. Your dealer does not recommend usage of skid steer with ROPS removed.
4. Seat belt usage: With ROPS installed on the skid steer it is imperative that the seat belt be installed, used and correctly adjusted, at all times. DO NOT use a seat belt if operating without ROPS.
5. Keep all shields and covers in place. All skid steer and equipment shields and covers must be correctly installed at all times. When necessary to remove these, they must be reinstalled immediately.
6. Keep clear of all rotating driveline components. Be especially observant of implement areas of discharge, intake or other mechanical motion.
7. Securely lock equipment drive shaft. Check that all skid steer and equipment drivelines are in good working order.
8. Additional safety equipment: A fire extinguisher and first aid kit should be kept readily accessible.

TRANSPORTING

1. Transporting on public roadway: When driving the skid steer and equipment on the road or highway under 25 mph, at night or during the day, use flashing amber warning lights and the Slow-Moving Vehicle ("SMV") identification emblem.
2. Check local traffic codes that may apply to unit usage on public roads and highways in your area. The use of flashing amber lights is acceptable in most localities. However, some localities may prohibit their use.
3. Always disengage equipment drive prior to transporting unit.

STORAGE

Before storing the silt fence plow, certain precautions should be taken to protect it from deterioration.

1. Clean the silt fence plow throughout.
2. Make all the necessary repairs.
3. Replace all safety signs that are damaged, lost, or otherwise become illegible. If a part to be replaced has a sign on it, obtain a new safety sign from your dealer and install it in the same place as on the removed part.
4. Repaint all parts from which paint has worn or peeled.
5. When the silt fence plow is dry, oil all moving parts. Apply oil liberally to all surfaces to protect against rust.
6. Store in a dry place

MAINTENANCE - GENERAL

Always use genuine parts when replacement parts are required during operation.

1. Keep the skid steer and silt fence plow properly maintained.
2. Park the skid steer/silt fence plow on level ground, place the transmission in neutral, set the parking brake, disengage the Aux hydraulics, lower the equipment to the ground, place all control levers in neutral, shut off the engine and remove the ignition key and allow the rotating parts to stop BEFORE making any silt fence plow adjustments.
3. To avoid injury, do not adjust or service the silt fence plow with the skid steer engine running. Make sure moving components have completely stopped before leaving the operator's seat.
4. Keep the skid steer/silt fence plow clean.
5. Always wear eye protection when cleaning or servicing the silt fence plow.
6. Service the unit in safety: DO NOT service the skid steer while the engine is running or hot, or if the unit is in motion. Always lower silt fence plow to the ground. If necessary to service unit with silt fence plow raised, securely support with stands or suitable blocking before working underneath. Do not rely on hydraulically supported devices for your safety. They can settle suddenly, leak down, or be accidentally lowered.
7. Do not attempt to service machine, clear obstructions or unplug blockages with the engine running. Always shut off engine and allow all motion to cease.
8. The manufacturer will not claim responsibility for fitment of unapproved parts and/or accessories and any damages as a result of their use.
9. Make sure all shields and guards are securely in place following all service, cleaning, or repair work.
10. Do not modify or alter this equipment or any of its components or operating functions. If you have any questions concerning modifications, consult with your dealer.
11. Do not operate a unit which is defective or has missing parts. Make sure that all recommended maintenance procedures are completed before operating the unit.
12. Check all controls regularly and adjust where necessary.
13. Periodically check all nuts and bolts for tightness, especially wheel hub and rim nuts. Make sure all non-rotating pins are secured properly.
1. 14. Check hydraulic cylinders and hoses for damage or leaks. To avoid serious personal injury: Escaping hydraulic/diesel fluid under pressure can penetrate the skin causing serious injuries. Do not use your hands to check for leaks. Use a piece of cardboard or paper to search for leaks.
15. Stop engine and relieve pressure before connecting lines. Tighten all connections before starting engine or pressurizing lines.

MAINTENACE – SILT FENCE PLOW

Lubrication

The Silt Fence Plow has 3 grease fittings.

- The pivot pin on the rear pivot must be greased daily when in use. It is very important that the grease fitting on the rear pivot of the machine be greased every day it is used. If the pin is run dry the bashings will become scored and an excessive amount of play will result.
- The coulter has one grease fitting on the coulter hub and one grease fitting on the pivot shaft with the spring. The grease fittings on the coulter require grease weekly.

Cutting Knife Point

The cutting knife point will wear down with usage and the amount of wear is directly associated with the abrasiveness of the dirt the machine is working in. When the knife becomes worn down the machine will not penetrate the ground easily. To build the knife point back up simply take use a welder and build the point up until it is sharp and even. After you have built it up with weld take a hard-surfacing rod and hard surface the wear area of the knife point beyond the original wear. How the knife point wears will be directly affected by the type of dirt the machine operated in.

Replaceable Cutting Knife Point

The replaceable cutting knife point can be replaced by removing the roll pin and replacing the knife point with a new knife point.

HELPFUL TIPS FOR USING THE SILT FENCE PLOW

The Silt Fence Plow installs fabric into the ground by its unique positive feed design. The ground grabs the fabric and as the machine moves forward it installs the fabric at a uniform depth tightly in the ground.

Fabric Material

Always try to use fabric that is tightly and evenly rolled. If the fabric is loose or telescoped it may feed off the fabric roll uneven. Do not use inferior material (material that is uneven in its thickness throughout the roll). You can use the above materials although they may or may not cause problems installing the material.

Hard Ground-Egg Shaped Fabric

When using the machine in hard very dry ground, starting a new roll of fabric, using an egg-shaped roll of fabric, or anytime you want the fabric to start easier, unroll the fabric and leave some slack in the fabric above the fabric chute. This will allow the ground to grab more of the fabric before the roll of material starts turning.

Also, if the ground is extremely hard you may need to tilt the knife point down with the hydraulic top link cylinder to allow the machine to penetrate the ground quicker.

Turning

The rear pivot design of the Silt Fence Plow allows the machine to install silt fence in a radius as tight as the power unit pulling the machine can turn. We do not recommend braking the tractor to the point of pushing the machine hard against the turn stops on the main frame. When given a choice of what direction to turn the material will feed out of the fabric chute easier when turning to the left than turning to the right. The machine can make turns to the right just as easy as the left although when turning sharply to the right in some dirt the fabric may try to pull out of the slot. If someone walks beside the machine and helps the fabric by not letting the fabric get too tight or takes a spade and pushes the fabric down in the slot this problem can be alleviated. It will not do it in all conditions when turning right.

Setting the Desired Depth of Fabric Installation

On most tractors with 3pt. hitches there is setting for the 3pt. hitch. If your machine does not have this or it is inoperable contact your local tractor dealer and they can help set the control. After you have the desired depth set you can simply drop the 3pt. lever and the machine will drop into the ground to the set operating depth. When going through ruts or severe swales you may need to raise or lower the machine to maintain the desired depth of installation. When using a skid loader, you can mark the knife shank with a paint mark or hang a chain from the frame to manually maintain the desired depth of installation.

Hydraulic Top Link Cylinder Operation

The Hydraulic top link cylinder is used in place of the rigid top link that comes with the tractor. The hydraulic top link cylinder allows the adjustment of the machine to follow the terrain of the ground as the fabric is being installed. The machine needs to run parallel to the terrain of the land to keep it from going too deep or coming out of the ground. The machine works best when run parallel with the ground. **If the machine gets tipped too far forward or too far back the fabric will not feed out of the chute properly. When the machine is tipped too far forward the fabric will be forced downward toward the bottom of the chute and the material will not be able to feed out properly.** Any Hydraulic cylinder that will fit between the tractor and the machine will work if you can get it hooked up. It must have enough stroke to allow the machine to be operated so the knife point will not be tipped too far forward. A cylinder with a 10"-12" cylinder stroke works well and a round welded cylinder is recommended because a tie rod cylinder (square with 4 bolts) will tend to break when side pressure is put on the cylinder. The top link cylinder is also used to tip the machine up during transport and to angle the knife point when starting a run into hard ground. A hydraulic top link cylinder is needed to operate the silt fence plow properly.

When to Use and Not to Use the Spring Loaded Cutting Coulter

The coulter can be used in most applications and must be used when installing material in areas of heavy vegetation or going through areas that have tree roots. The coulter will allow the silt fence plow to pull easier through the ground in some very hard dry ground conditions. The coulter needs to be removed in rocky conditions and in some types of very soft mellow dirt due to the coulter sinking in too deep and pushing dirt instead of cutting through it.

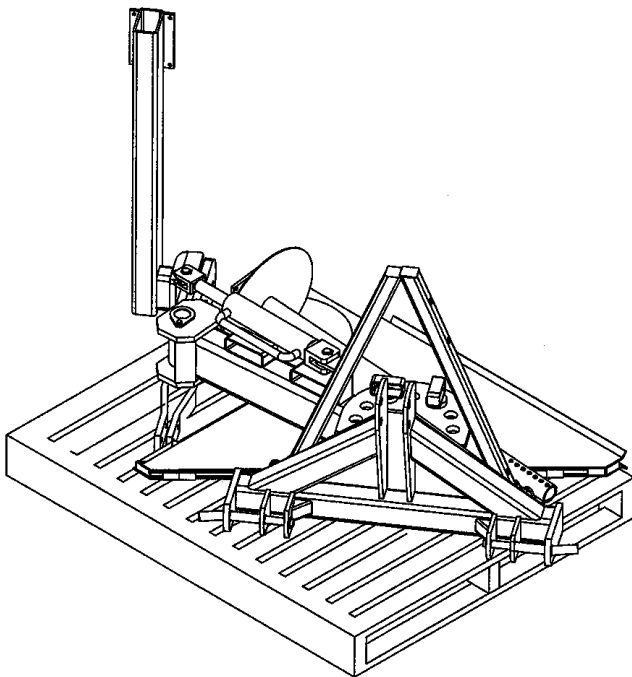
Adjusting the Depth of the Coulter and Removing the Coulter

The coulter depth can be adjusted by loosening the setscrew and sliding it up or down on the coulter rod until you reach your desired level of coulter depth. If you need to remove the coulter you can either loosen the setscrew and slide the coulter off the coulter rod or remove the two bolts in the frame and take off the coulter with the coulter rod. NOTE: if you leave the coulter rod on in rocky conditions a rock can come up and hit the rod and break it off.

When to Use the Fabric Curtain (Optional)

The fabric curtain is used when using a non-woven geotextile that is not slick like the woven geotextiles. The fabric curtain divides the fabric chute so when the fabric goes through the chute the fabric does not rub against itself. In high humidity conditions, fabric may grab and try and pull the fabric downward to the bottom of the chute. The fabric curtain will eliminate the fabric grabbing itself. The only time the curtain is needed is during the installation of non-woven geotextiles and in some cases the 48" and the 42" fabric chutes can benefit from the fabric curtain because of the large volume of material going through the fabric chute when installing 48" and 42" material. (See Assembly Step 7)

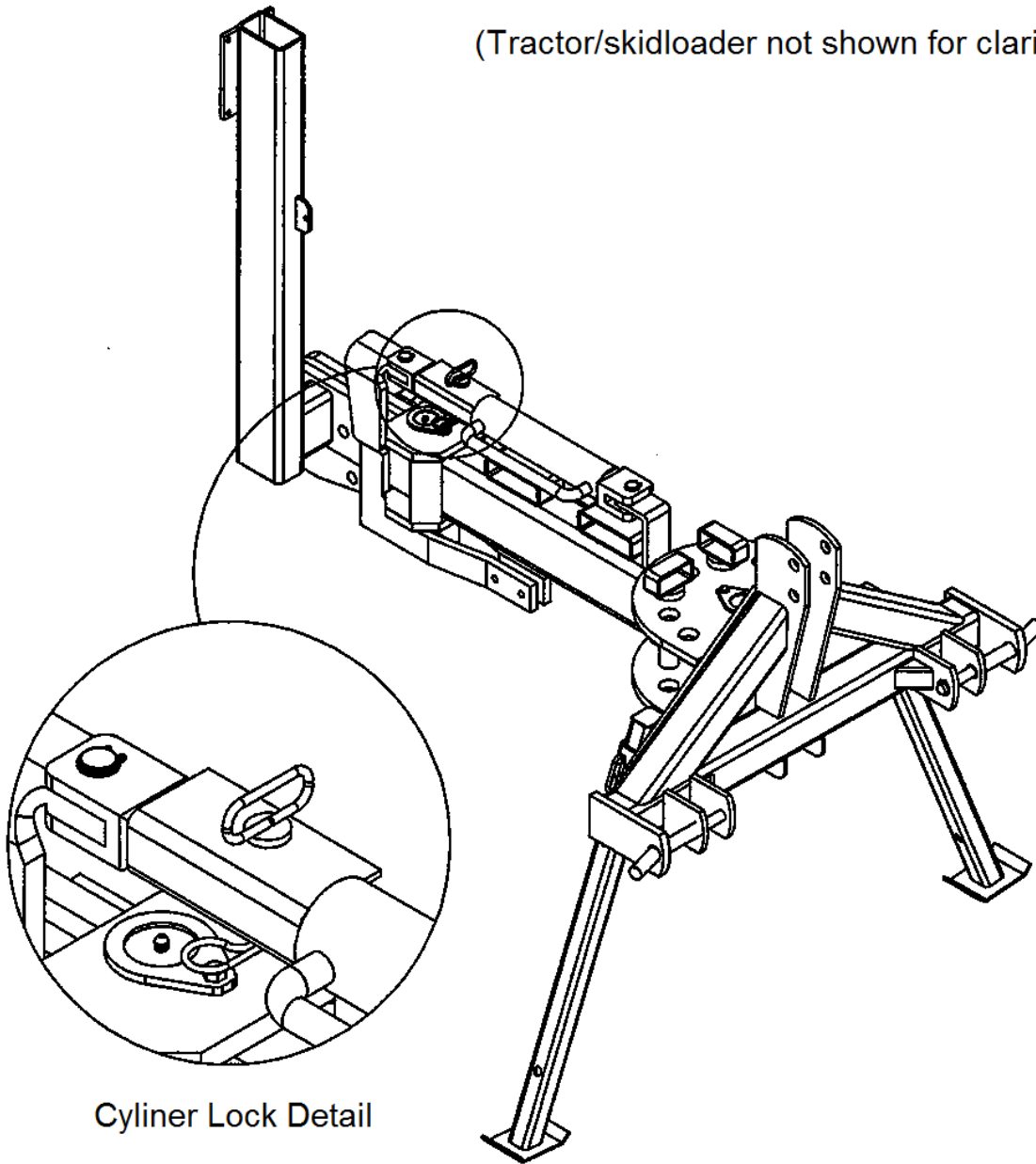
ASSEMBLY INSTRUCTIONS



Standard offset will arrive on a pallet as shown

Note: It is recommended that two or more people assemble the silt fence plow.

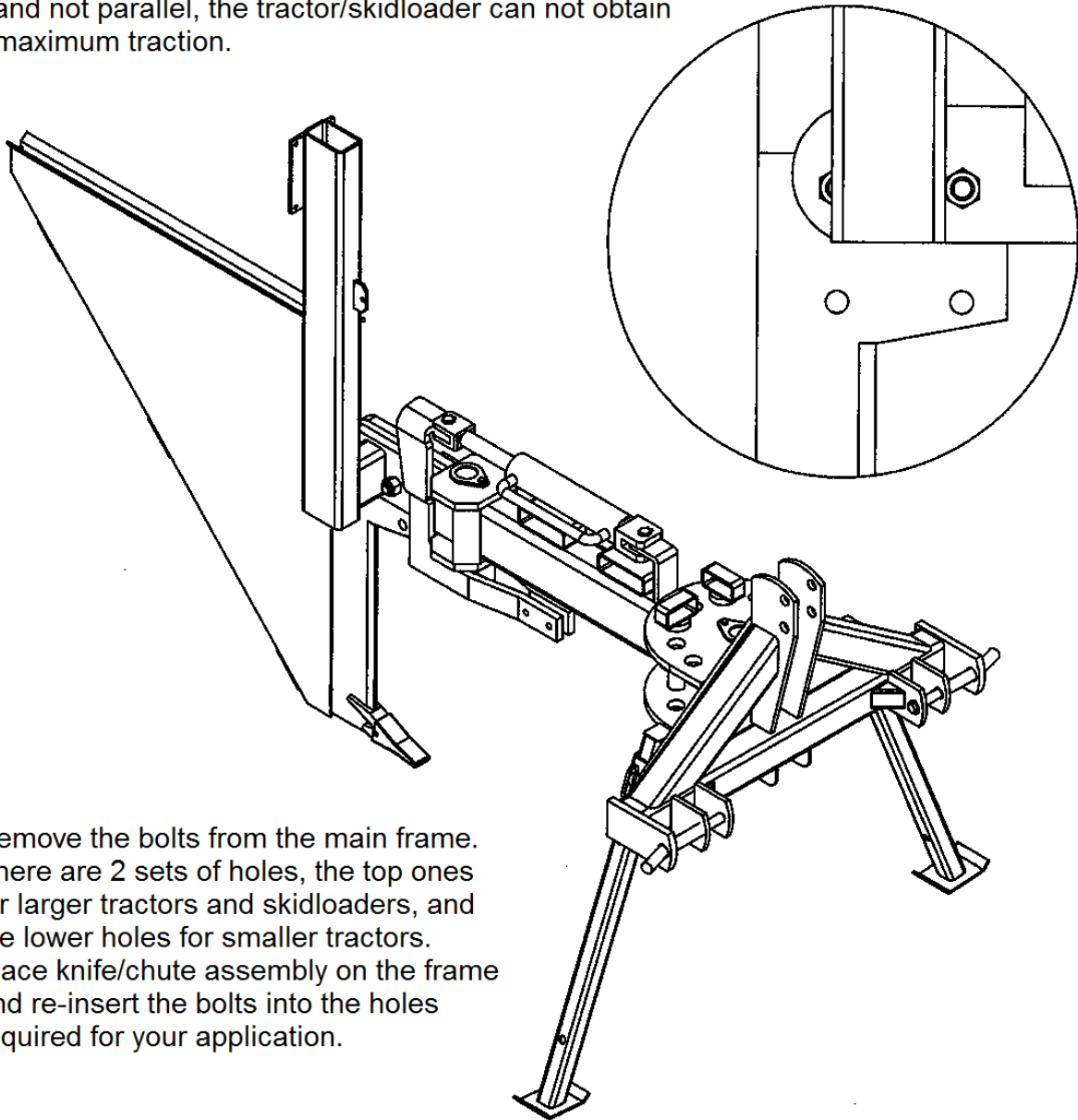
(Tractor/skidloader not shown for clarity)



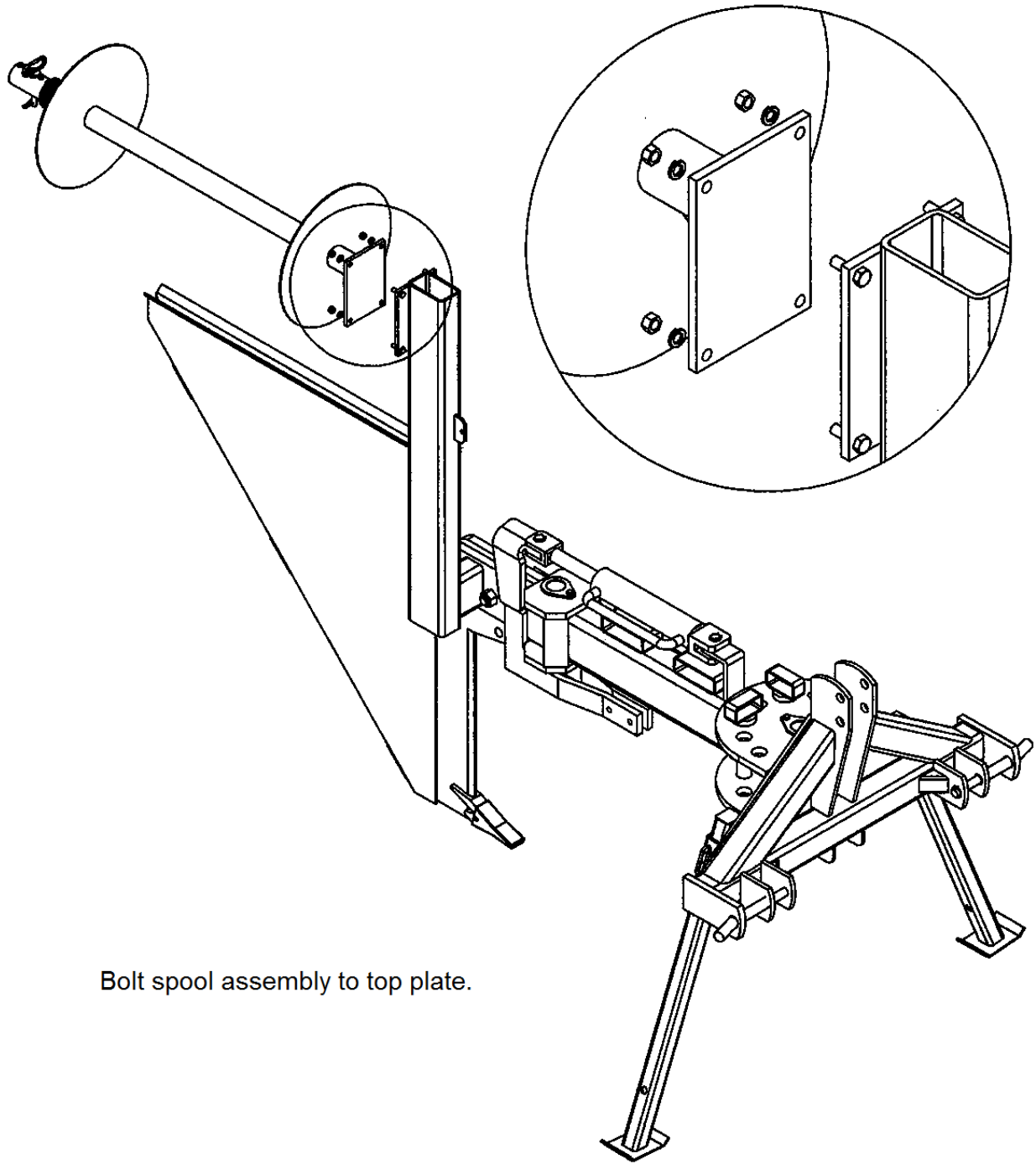
Cylinder Lock Detail

Hook up plow to tractor/skidloader then rotate beam to straight out and lock into place. Drop legs to top pin setting and re-pin. Pin cylinder lock into position.

The goal is to have the three point arms straight out and parallel with the frame of the machine when it is in the ground so the tractor/skidloader can obtain maximum traction. If the three point arms are up and not parallel, the tractor/skidloader can not obtain maximum traction.



Remove the bolts from the main frame. There are 2 sets of holes, the top ones for larger tractors and skidloaders, and the lower holes for smaller tractors. Place knife/chute assembly on the frame and re-insert the bolts into the holes required for your application.

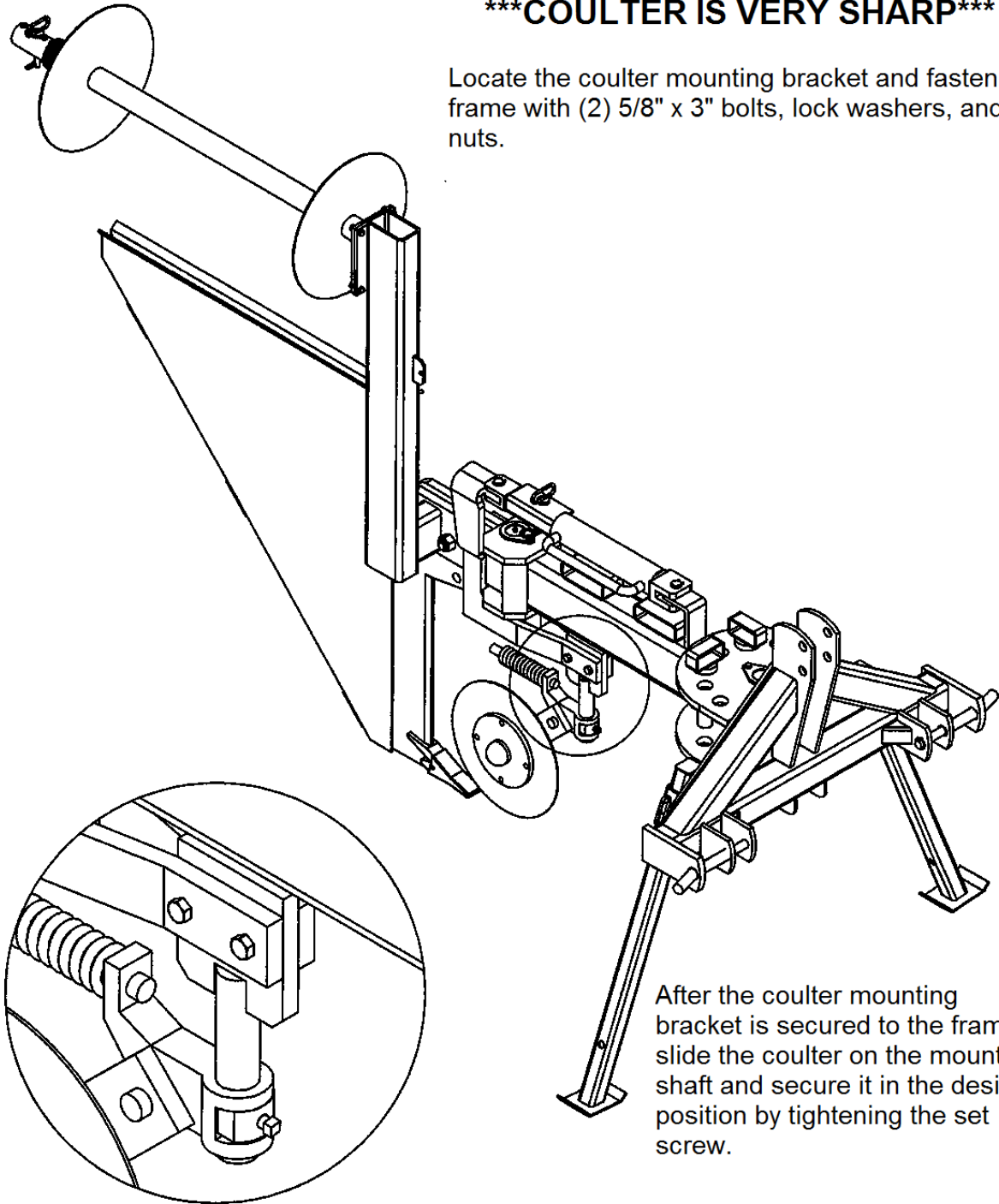


Bolt spool assembly to top plate.

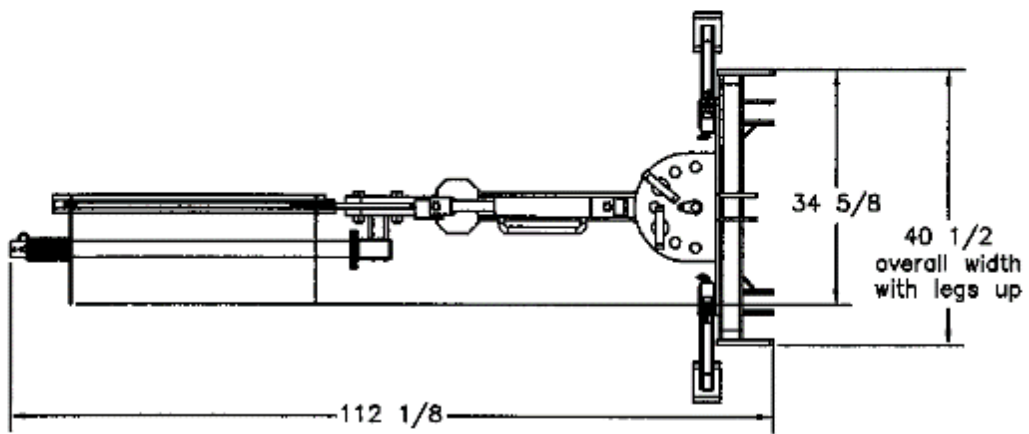
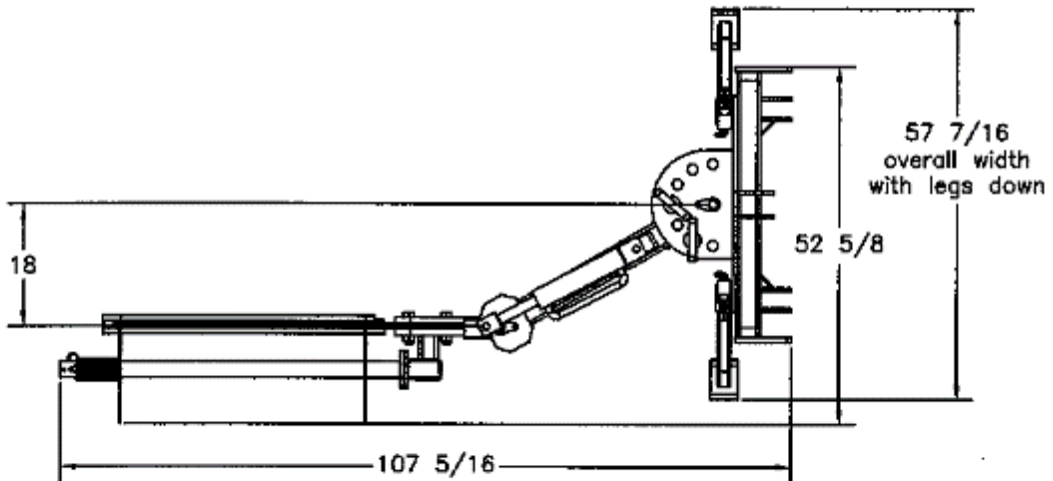
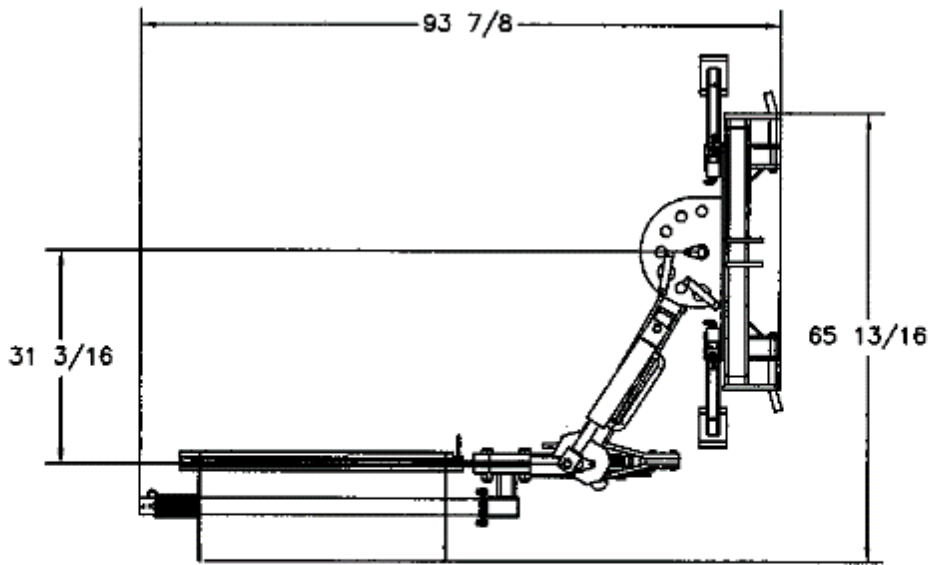
*****CAUTION*****

*****COULTER IS VERY SHARP*****

Locate the coultter mounting bracket and fasten to frame with (2) 5/8" x 3" bolts, lock washers, and nuts.



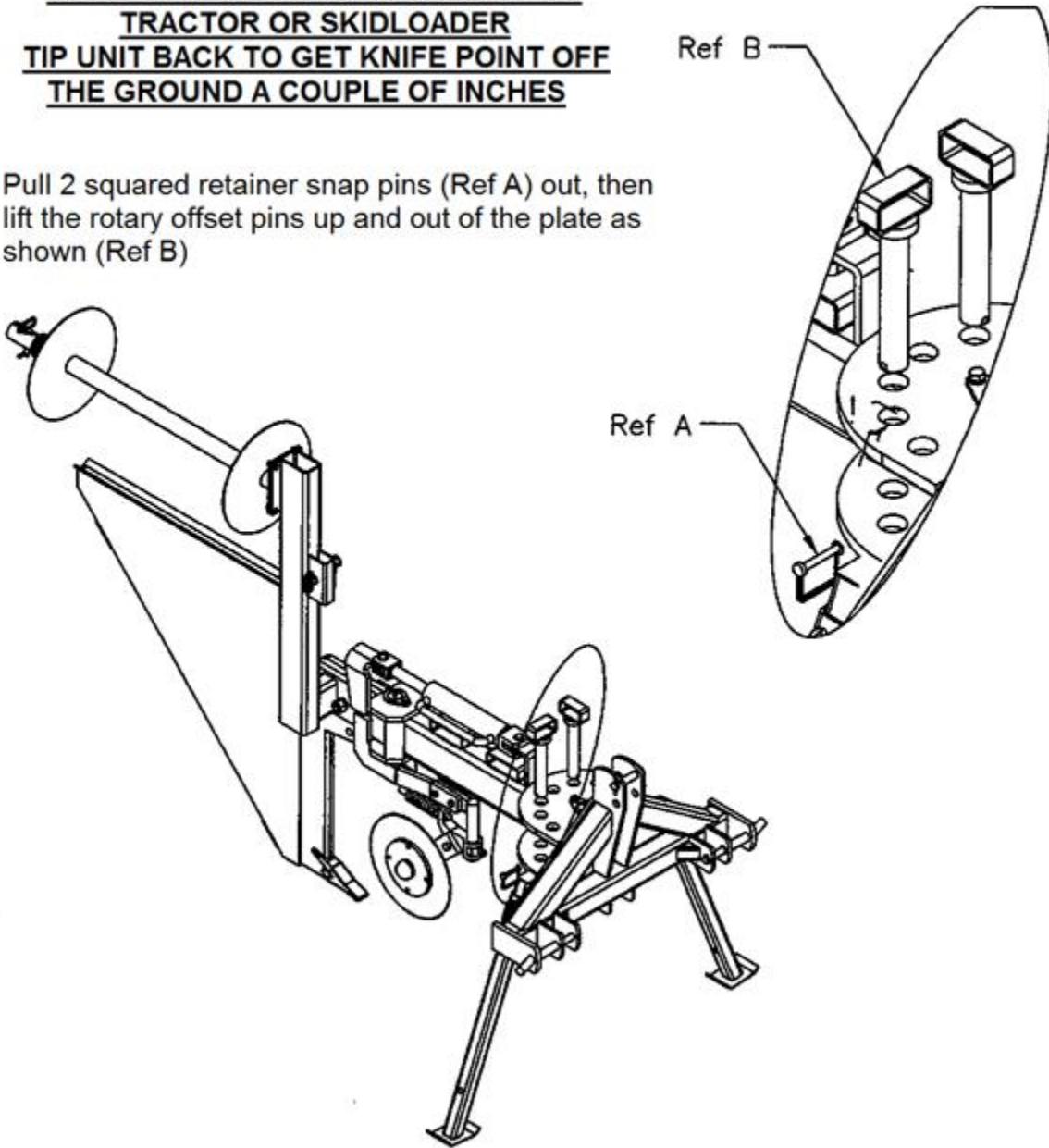
After the coultter mounting bracket is secured to the frame, slide the coultter on the mounting shaft and secure it in the desired position by tightening the set screw.



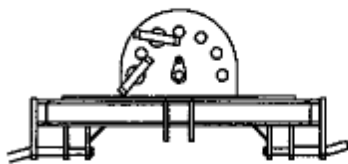
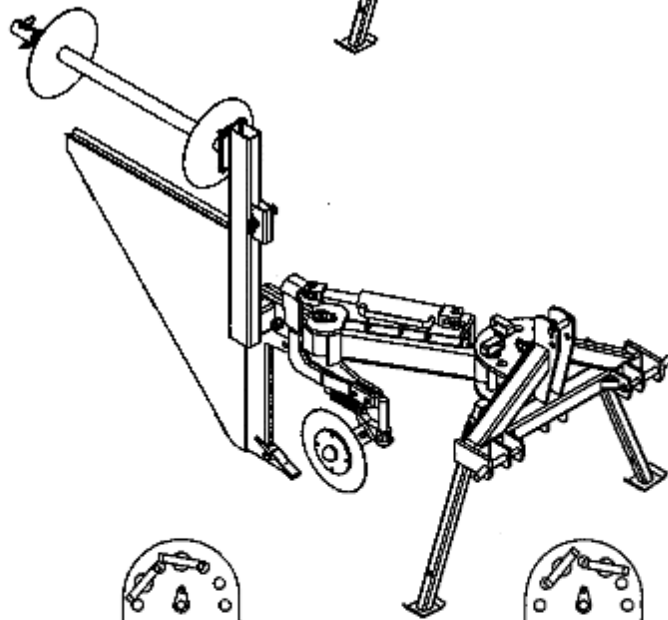
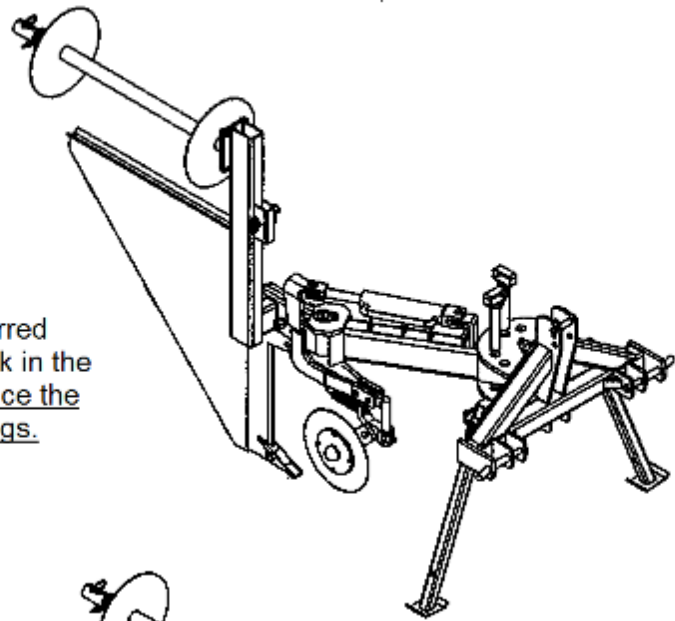
INSTRUCTIONS FOR ROTATING PLOW TO 30° OR 60° SETTINGS

**MAKE SURE PLOW IS HOOKED UP TO
TRACTOR OR SKIDLOADER
TIP UNIT BACK TO GET KNIFE POINT OFF
THE GROUND A COUPLE OF INCHES**

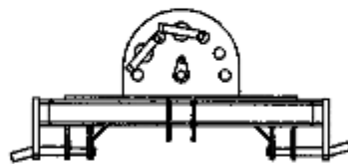
Pull 2 squared retainer snap pins (Ref A) out, then lift the rotary offset pins up and out of the plate as shown (Ref B)



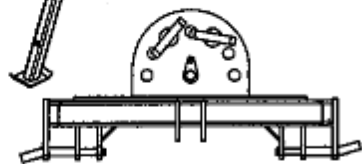
Rotate beam out to preferred setting, then put pins back in the appropriate holes. Replace the squared retainer snap rings.



60° SETTING

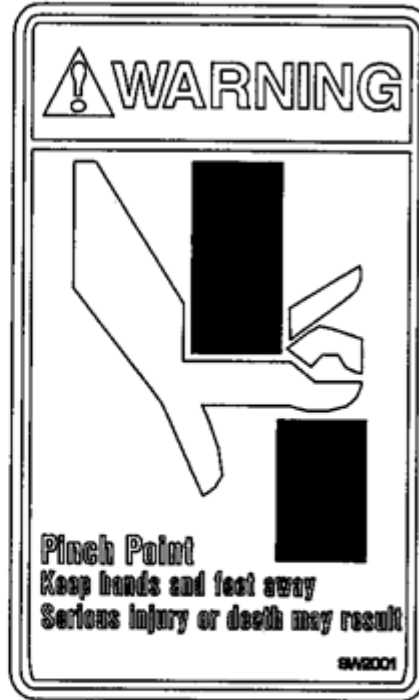


30° SETTING



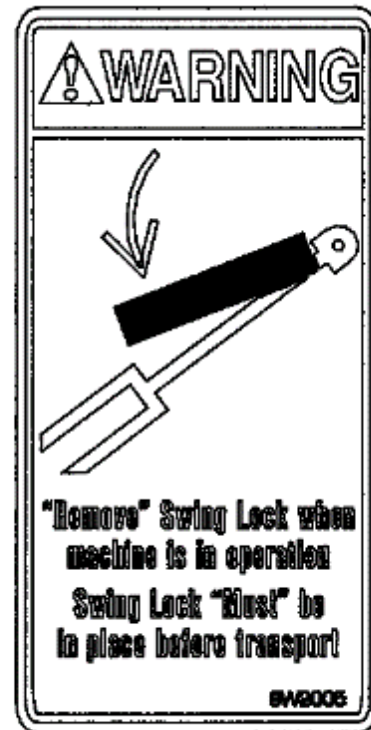
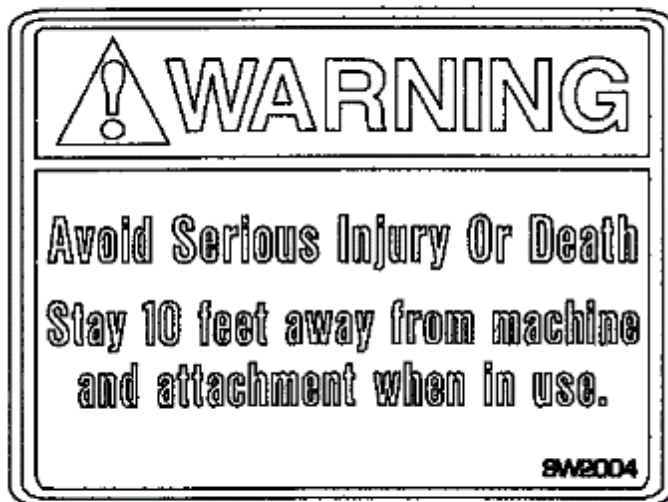
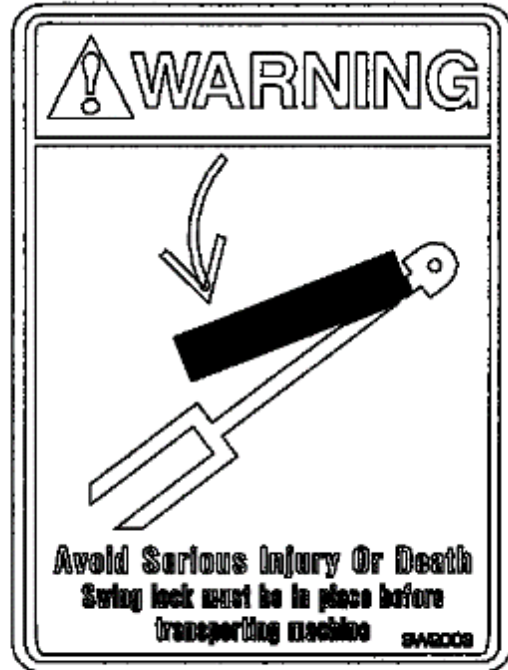
STRAIGHT SETTING

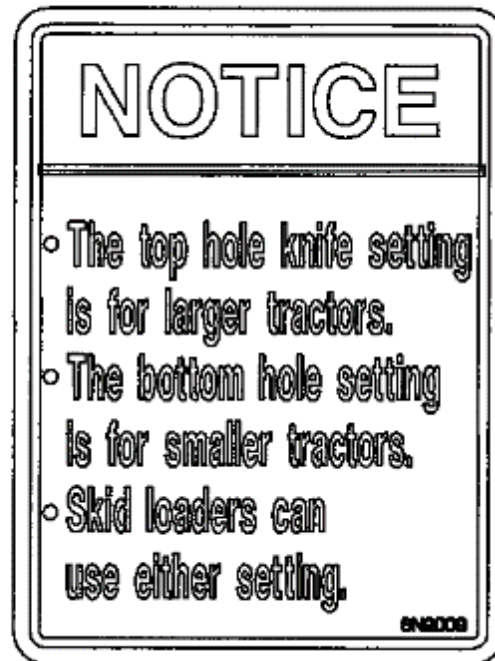
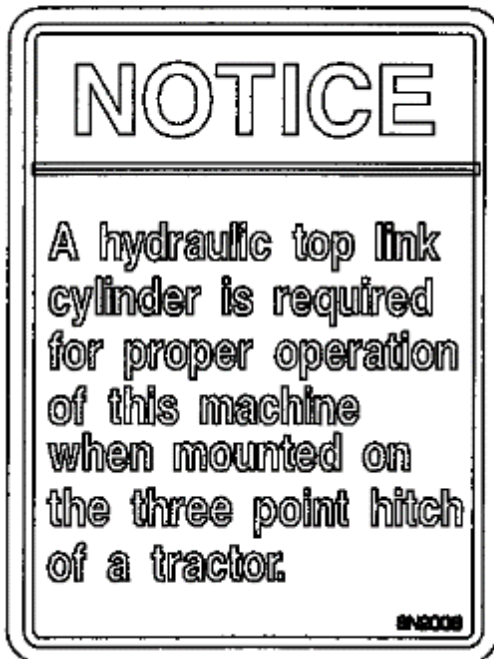
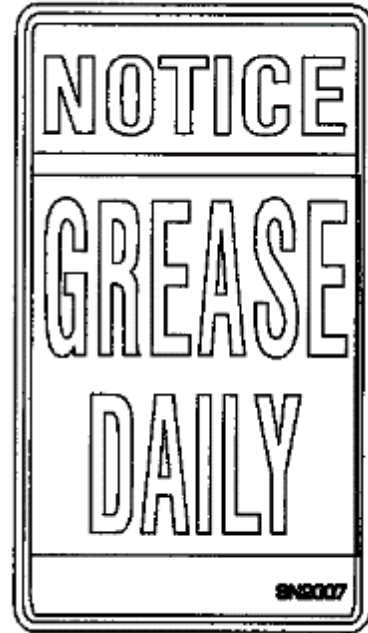
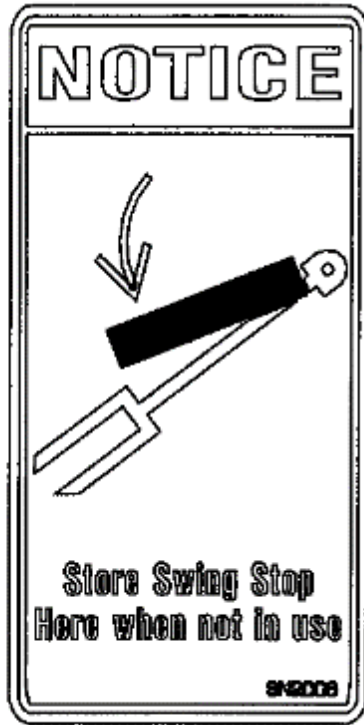
WARNING DECALS

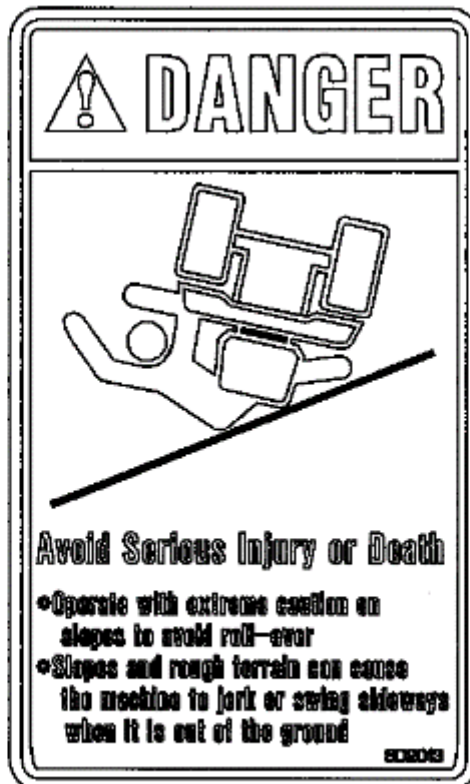
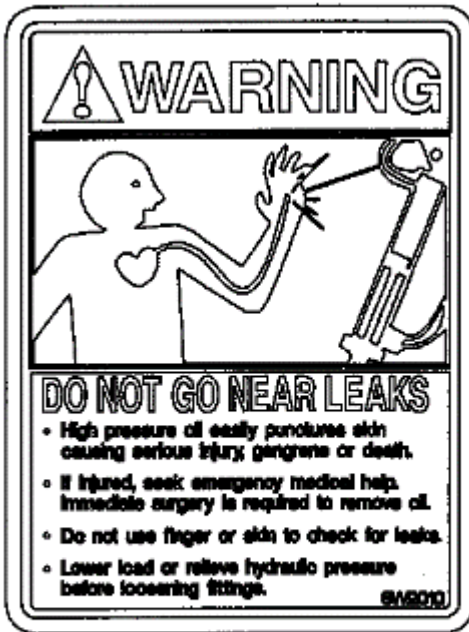


IT IS THE OPERATORS RESPONSIBILITY
TO USE THIS MACHINE IN A SAFE
AND PROPER MANNER

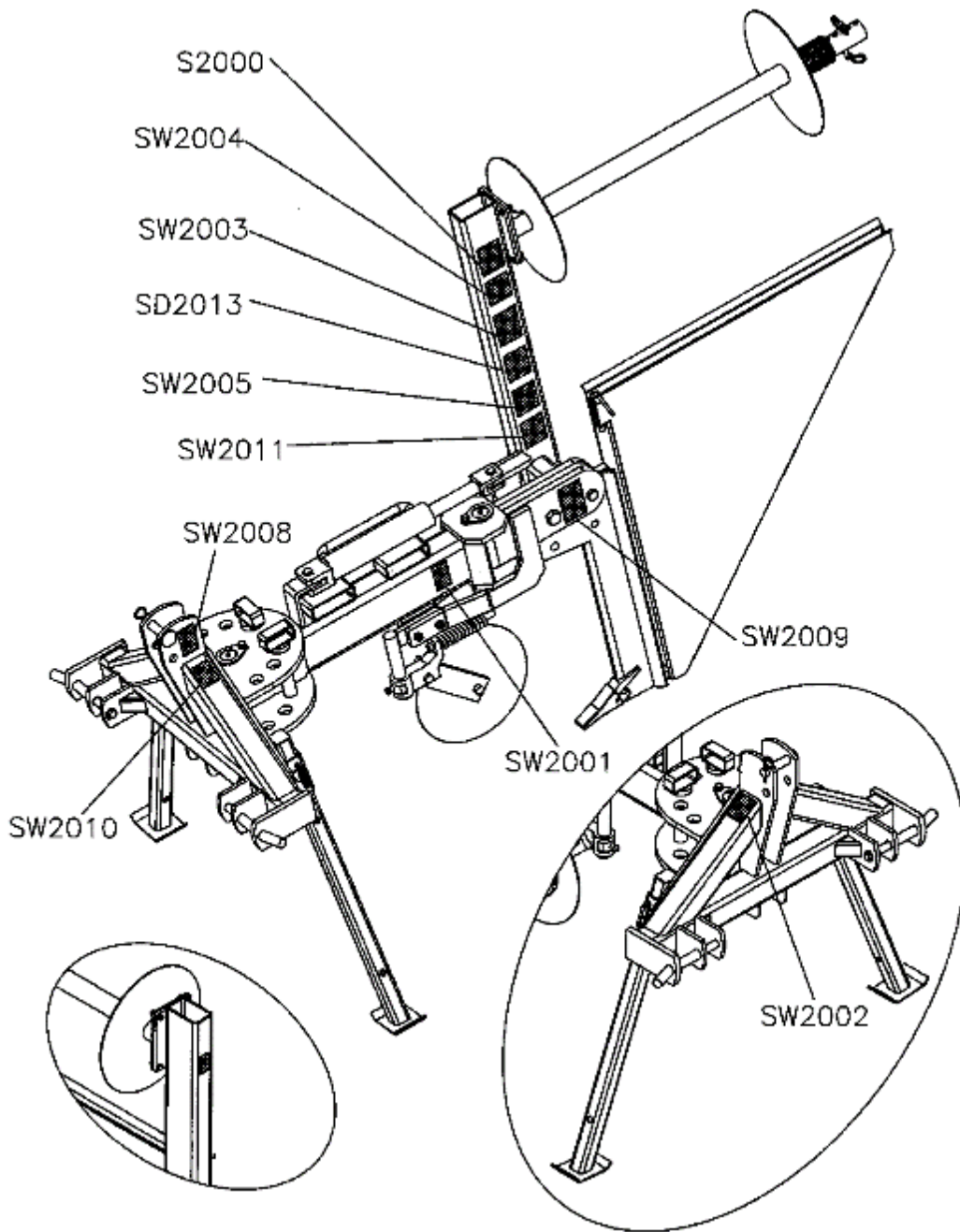
Review owner's manual and see all decals on machine prior to first use. Insure that all operators of this machine have reviewed the safety decals thoroughly. Follow these warnings carefully. Inspect the plow each day, paying special attention to the hydraulic hoses. Replace worn or broken parts immediately. These decals will be located on your plow. Pay attention to warnings. If your decals fade, tear, or come off, re-order by using the number corresponding to the decal you need.







Warning Decal Placement and Part Numbers



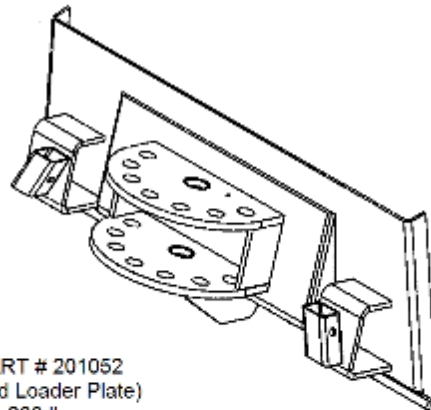
SILT FENCE PLOW DETAILED PARTS DIAGRAMS AND LISTS

Introduction

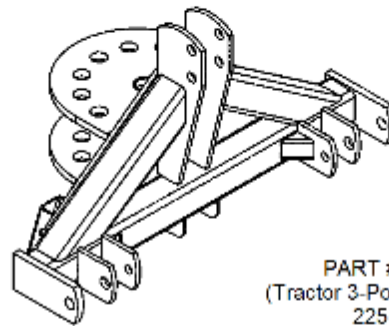
All parts are illustrated in "exploded views" which show the individual parts in the normal relationship to each other. Reference numbers are used in the illustrations. These numbers correspond to those in the "KEY" column, and are followed by the description and quantity required.

The manufacturer reserves the right to change, modify, or eliminate from time to time, for technical or other reasons, certain or all data, specifications, or the product or products themselves, without any liability or obligation.

Interchangeable Front Assembly for Rotary Offset Model

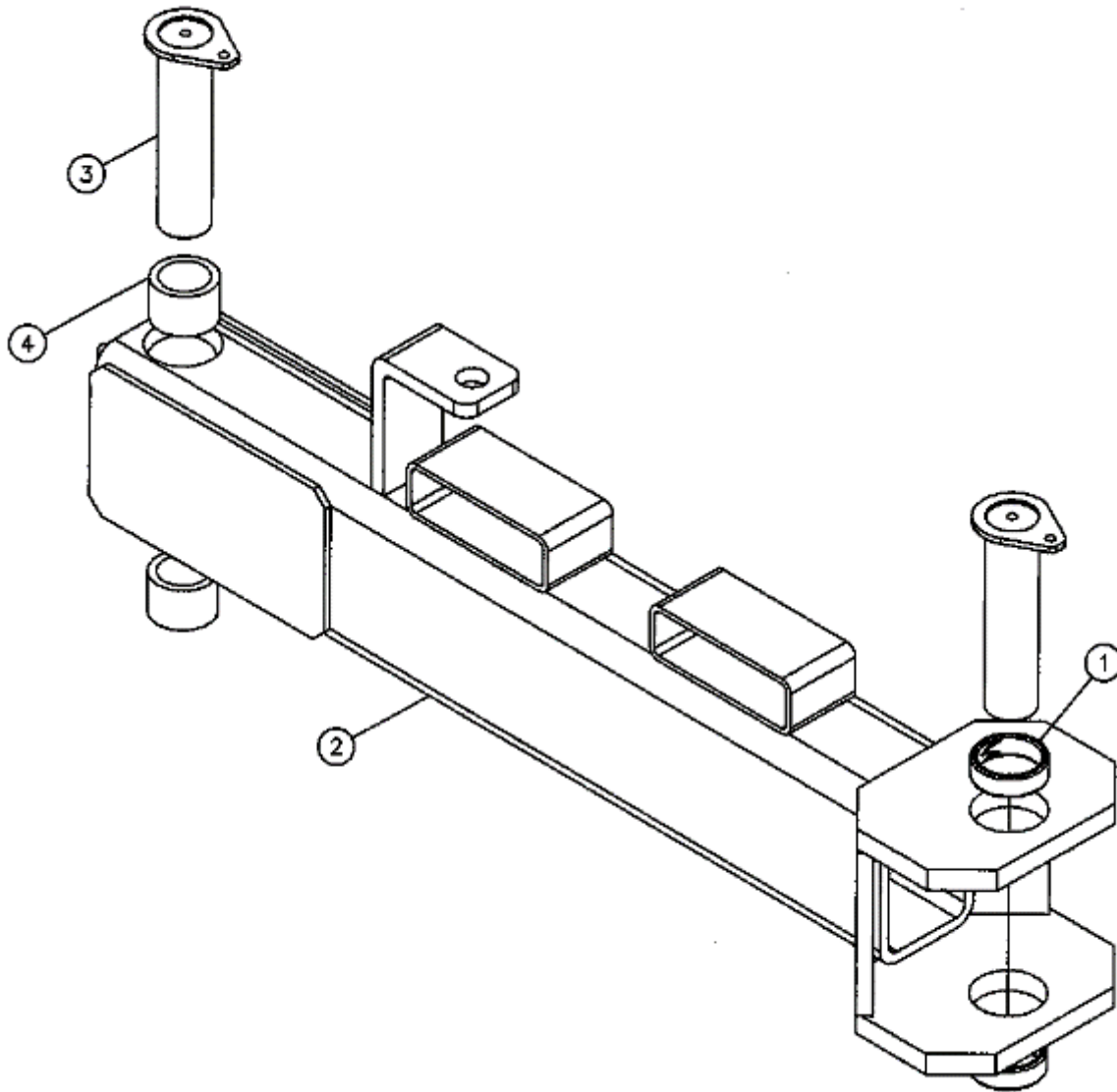


PART # 201052
(Skid Loader Plate)
280 lbs.



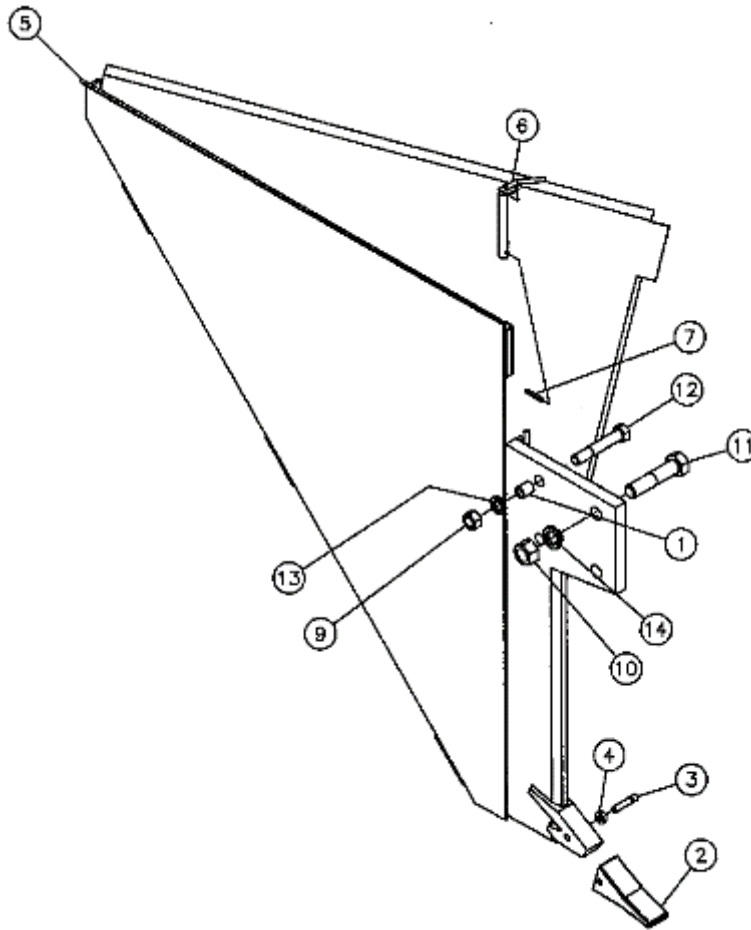
PART # 10050
(Tractor 3-Point Assembly)
225 lbs.

Center Beam



Key	Qty.	Part No.	Description
1	4	1200-49	Split Bushing
2	1	10051	Center Beam
3	2	10092	2" Pin Pivot Point
4	2	1200-54	Short 2" ID Bushing

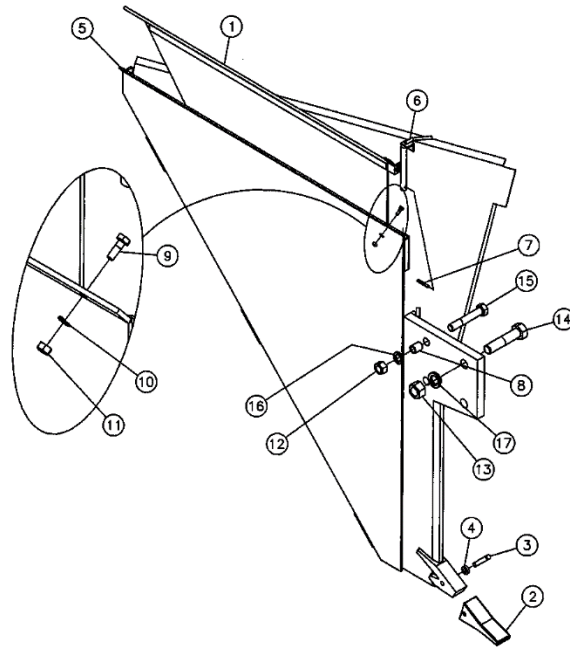
36" Chute with 1" Knife



Key	Qty.	Part No.	Description
1	2	1200-25	Shear Bolt Bushing
2	1	103202	Forged Tooth *
3	1	8E6208	Pin for Tooth *
4	1	8E6209	Retainer for Tooth *
5	1	1200-42	Chute Assembly with 1" Knife
6	1	201030	Pin for Chute
7	1	1200-17	1/4" x 1 1/2" Roll Pin
8	2	1200-25	Shear Bolt Bushing
9	1	1200-01	5/8" Nut
10	1	1200-03	1" Nut
11	1	1200-05	1" x 4 1/2" Bolt
12	1	1200-06	5/8" x 4 1/2" Bolt (GRADE 8)
13	1	1200-58	5/8" Lock Washer
14	1	1200-57	1" Lock Washer

* Caterpillar Part Nos.

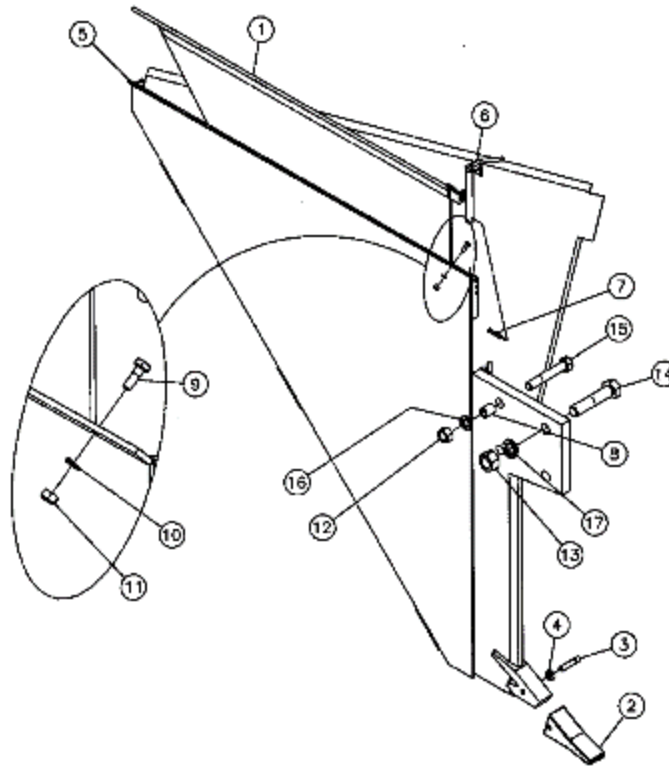
42" Chute with 1" Knife



KEY	QTY.	PART NO.	DESCRIPTION
1	1	1200-39	Fabric Curtain (42")
2	1	103202	Forged Tooth *
3	1	8E6208	Pin for Tooth *
4	1	8E6209	Retainer for Tooth *
5	1	1200-42	Chute Assembly with 1" Knife
6	1	201030	Pin for Chute
7	1	1200-17	1/4" x 1 1/2" Roll Pin
8	2	1200-25	Shear Bolt Bushing
9	1	1200-13	1/4" X 3/4" Bolt
10	1	1200-16	1/4" Lock Washer
11	1	1200-21	1/4" Nut
12	1	1200-01	5/8" Nut
13	1	1200-03	1" Nut
14	1	1200-05	1" x 4 1/2" Bolt
15	1	1200-06	5/8" x 4 1/2" Bolt (GRADE 8)
16	1	1200-58	5/8" Lock Washer
17	1	1200-57	1" Lock Washer

* Caterpillar Part Nos.

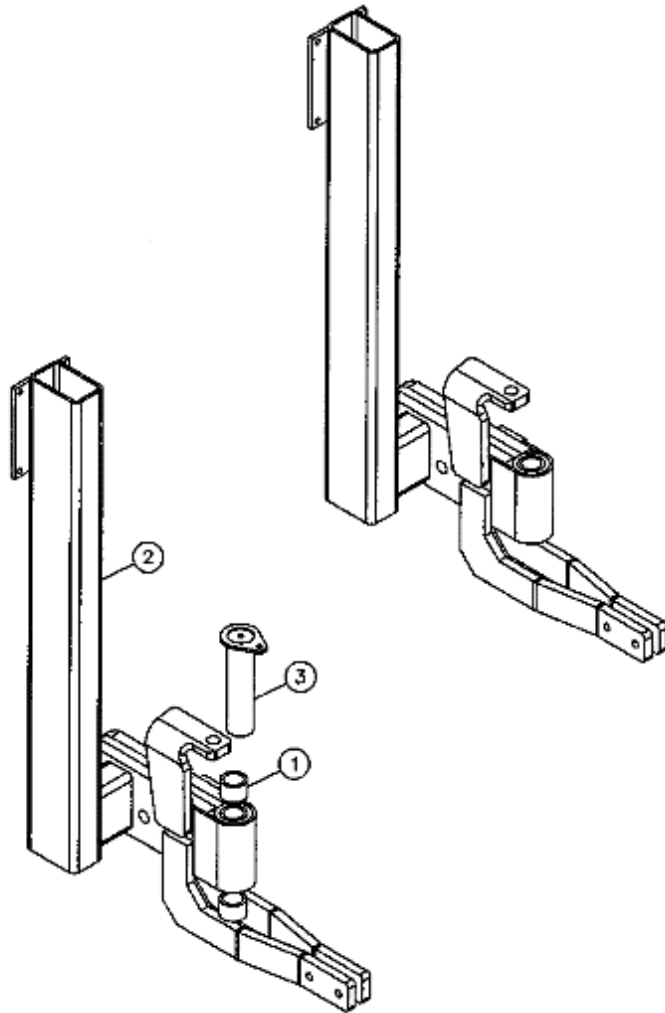
48" Chute with 1" Knife



KEY	QTY.	PART NO.	DESCRIPTION
1	1	1200-40	Fabric Curtain (48")
2	1	103202	Forged Tooth *
3	1	8E6208	Pin for Tooth *
4	1	8E6209	Retainer for Tooth *
5	1	1200-33	Chute Assembly with 1" Knife
6	1	201030	Pin for Chute
7	1	1200-17	1/4" x 1 1/2" Roll Pin
8	2	1200-25	Shear Bolt Bushing
9	1	1200-13	1/4" X 3/4" Bolt
10	1	1200-16	1/4" Lock Washer
11	1	1200-21	1/4" Nut
12	1	1200-01	5/8" Nut
13	1	1200-03	1" Nut
14	1	1200-05	1" x 4 1/2" Bolt
15	1	1200-06	5/8" x 4 1/2" Bolt (GRADE 8)
16	1	1200-58	5/8" Lock Washer
17	1	1200-57	1" Lock Washer

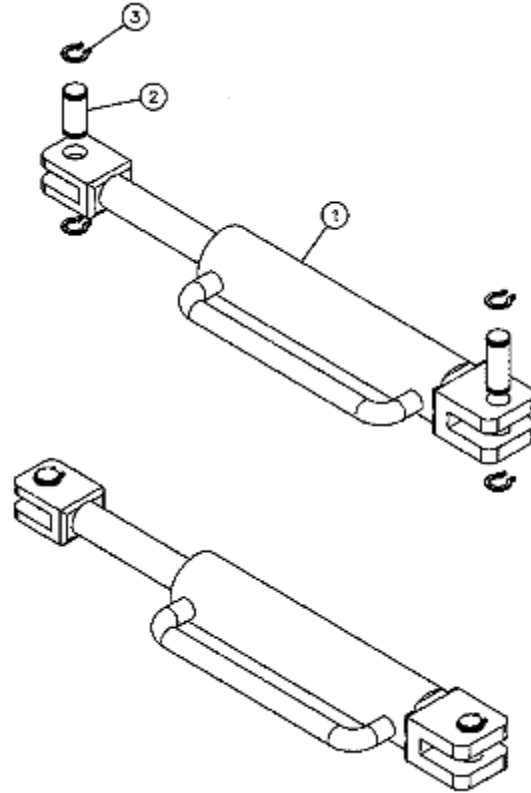
* Caterpillar Part Nos.

Rear Pivot Assembly



KEY	QTY.	PART NO.	DESCRIPTION
1	2	1200-54	Short 2" ID Bushing
2	1	1200-53	Rear Pivot Assembly
3	2	10092	2" Pin Pivot Point

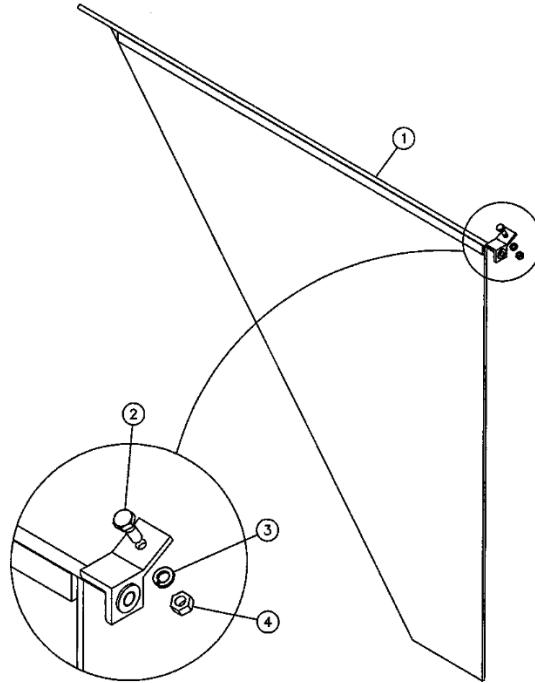
Swing Dampening Cylinder Detail



KEY	QTY.	PART NO.	DESCRIPTION
1	1	1200-45	Swing Dampening Cylinder – Standard Offset Model
2	2	1200-43	Cylinder Pin
3	4	1200-44	Snap Ring
	1	1200-22	Full Cylinder Assembly

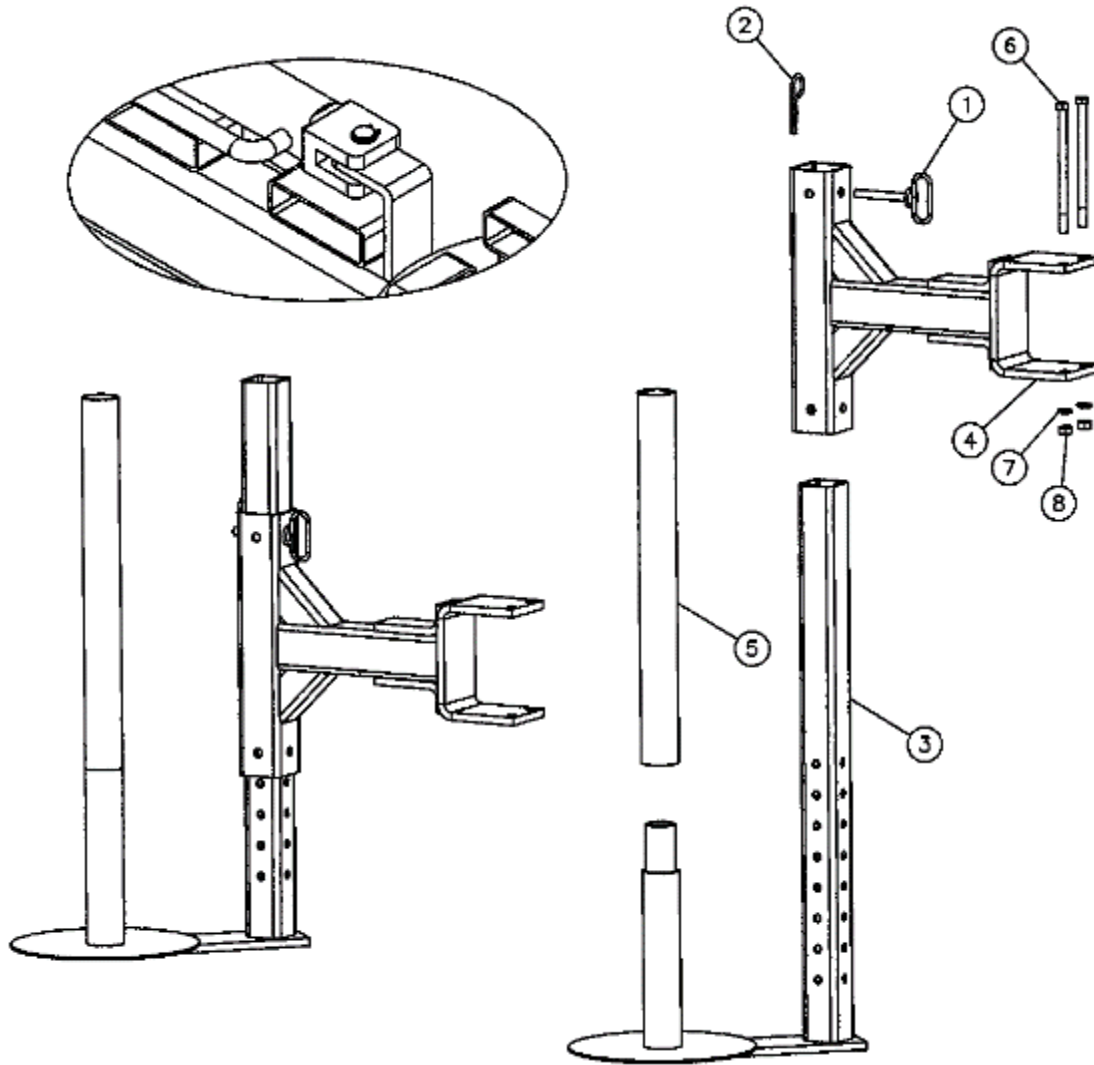
Optional Fabric Curtain

Standard on 42" and 48" Models



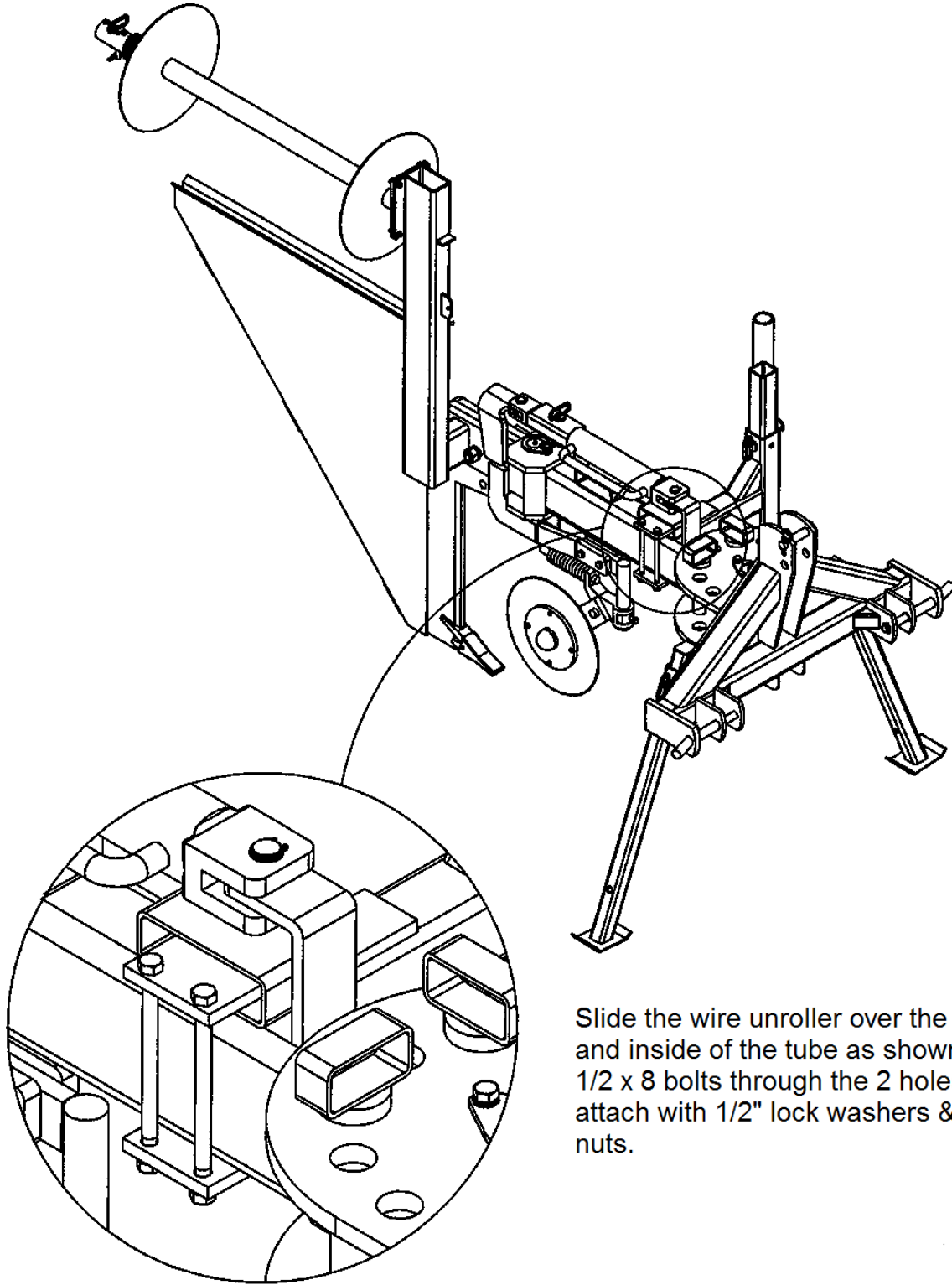
KEY	QTY.	PART NO.	DESCRIPTION
1	1	1200-38	Fabric Curtain (36")
2	1	1200-13	1/4" x 3/4" Bolt
3	1	1200-16	1/4" Lock Washer
4	1	1200-21	1/4" Nut

Optional Wire Unroller



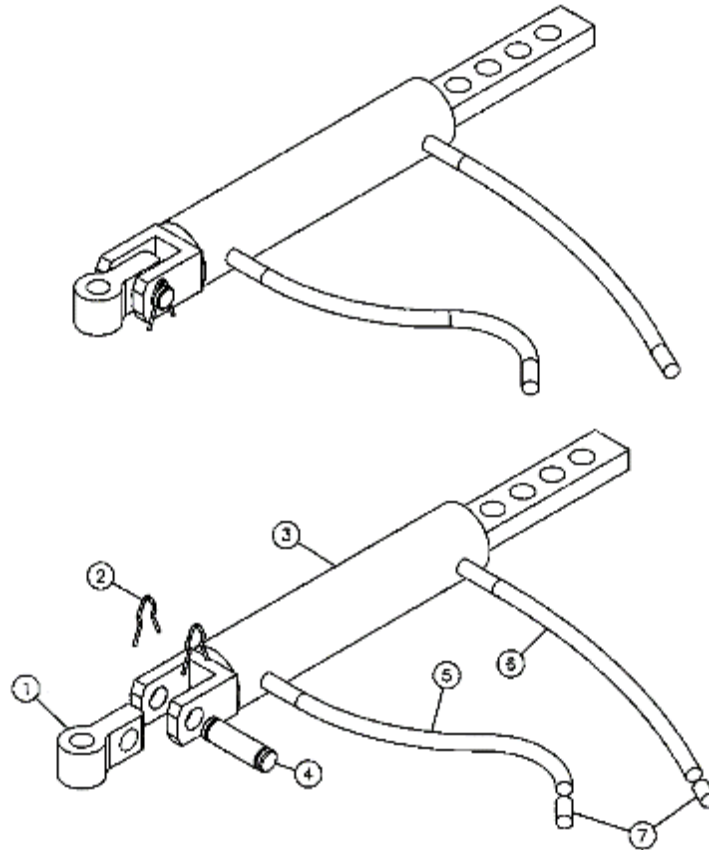
KEY	QTY.	PART NO.	DESCRIPTION
1	1	1200-32	7/16" X 4" Hitch Pin
2	1	1200-15	3/16" Hair Pin
3	1	10097	Fabric Curtain (48")
4	1	201109	Fabric Curtain (42")
5	1	1200-02	Top Pipe Wire Unroller
6	2	1200-10	1/2" x 8" Bolt
7	2	1200-19	1/2" Lock Washer
8	2	1200-04	1/2" Nut
	1	RWU-1056	Full Wire Unroller Assembly

Instructions for Installing Optional Wire Unroller



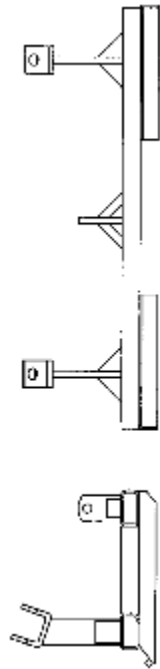
Slide the wire unroller over the beam and inside of the tube as shown. Put 1/2 x 8 bolts through the 2 holes and attach with 1/2" lock washers & 1/2" nuts.

Optional Top Link Cylinder



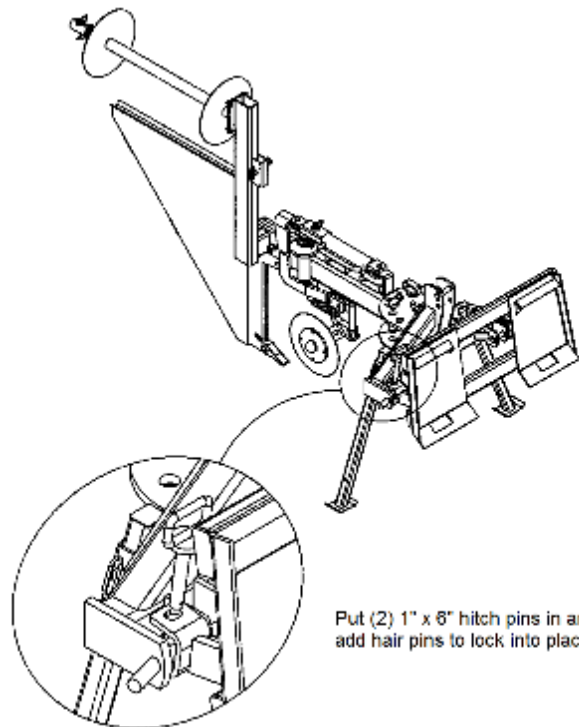
KEY	QTY.	PART NO.	DESCRIPTION
1	1	1200-60	Front Block
2	2	1200-61	Cylinder Pin
3	1	1200-62	Fabric Curtain (48")
4	1	1200-63	Fabric Curtain (42")
5	1	1200-64	Cylinder Hose – 24"
6	1	1200-65	Cylinder Hose – 30"
7	2	1200-66	Pioneer Ends
	1	HTL-1055	Full Top Link Cylinder Assembly

Optional Center Pull Skid Loader Plate



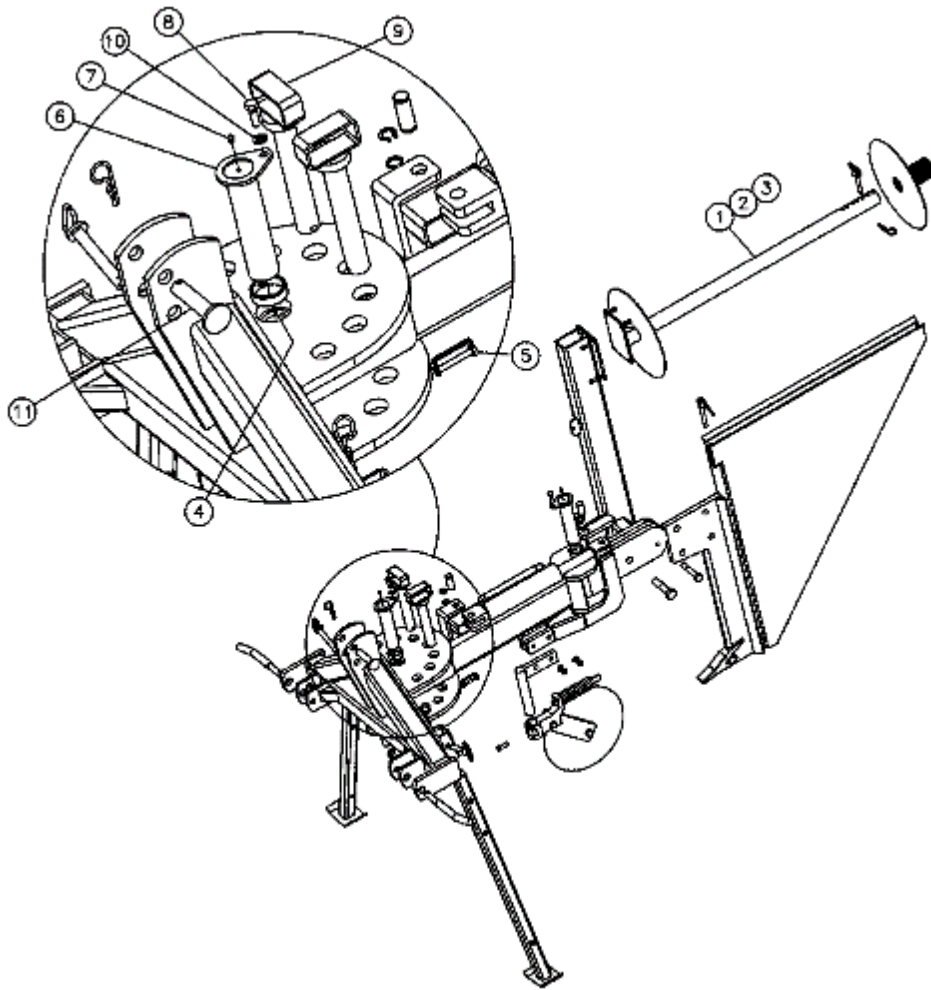
To order the center pull skid loader plate, order part # CPS-1050

Instructions for Using the Center Pull Skid Loader Plate



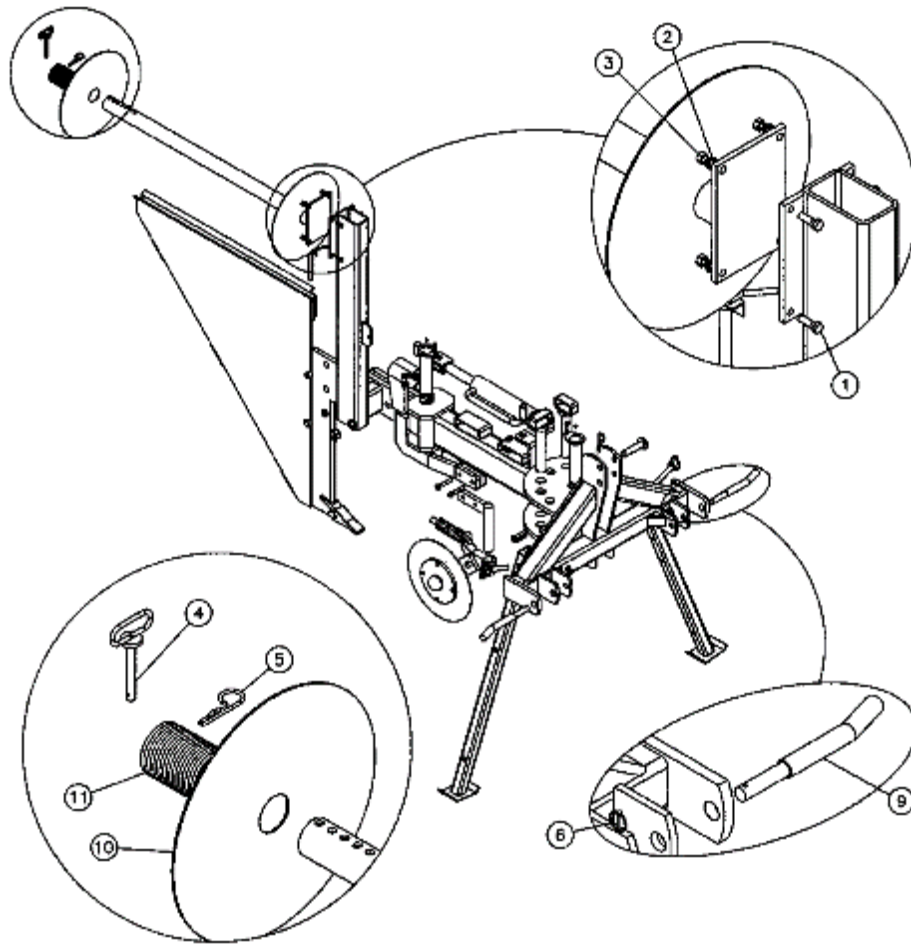
Put (2) 1" x 8" hitch pins in and add hair pins to lock into place.

Diagram - A



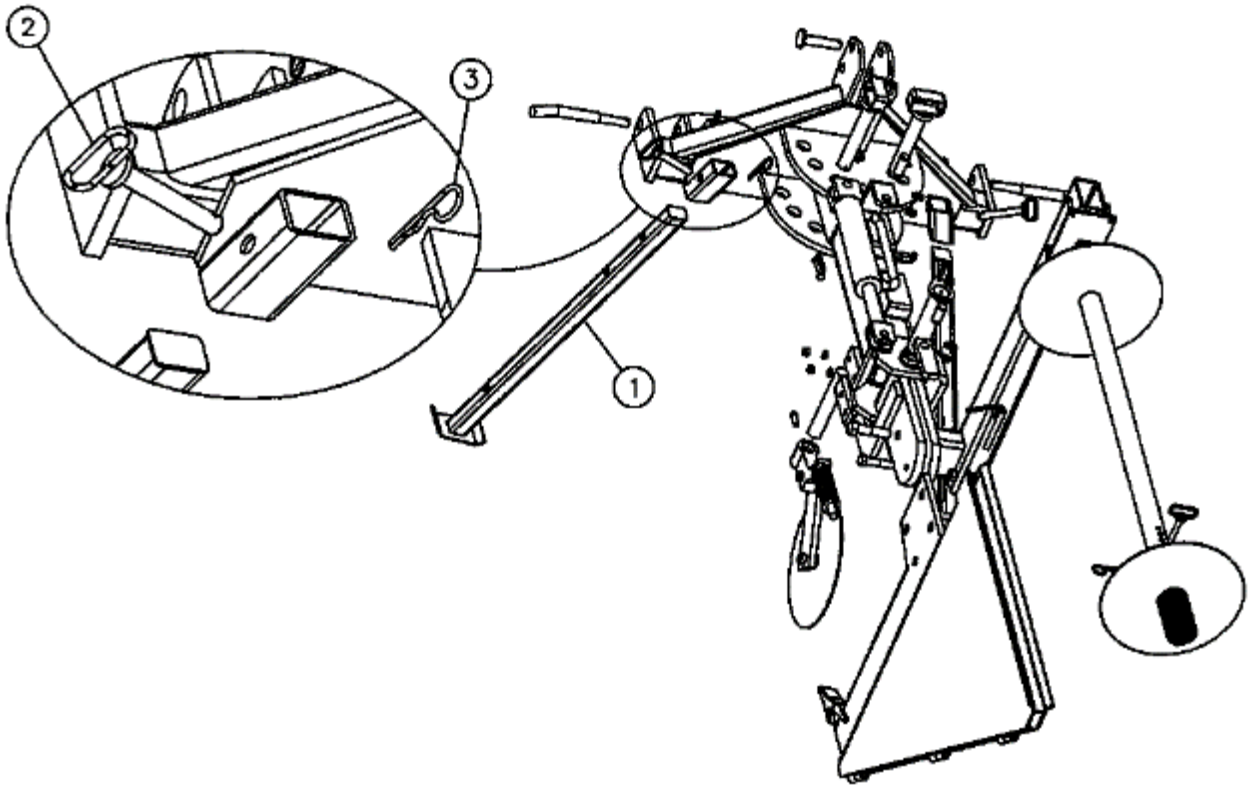
KEY	QTY.	PART NO.	DESCRIPTION
1	1	201021	Fabric Rod Holder – 36"
2	1	1200-35	Fabric Rod Holder – 42"
3	1	1200-36	Fabric Rod Holder – 48"
4	2	1200-49	Split Bushing (2" ID)
5	2	1200-52	Squared Retainer Snap Pin
6	2	10092	2" Pin Pivot Point
7	2	1200-55	5/16 Drive-in Grease Zerk
8	2	1200-56	1/2" x 1 1/2" Bolt
9	2	201073	Pin for Rotary Offset
10	2	1200-19	1/2" Lock Washer
11	1	1200-14	Top Link Pin

Diagram - B



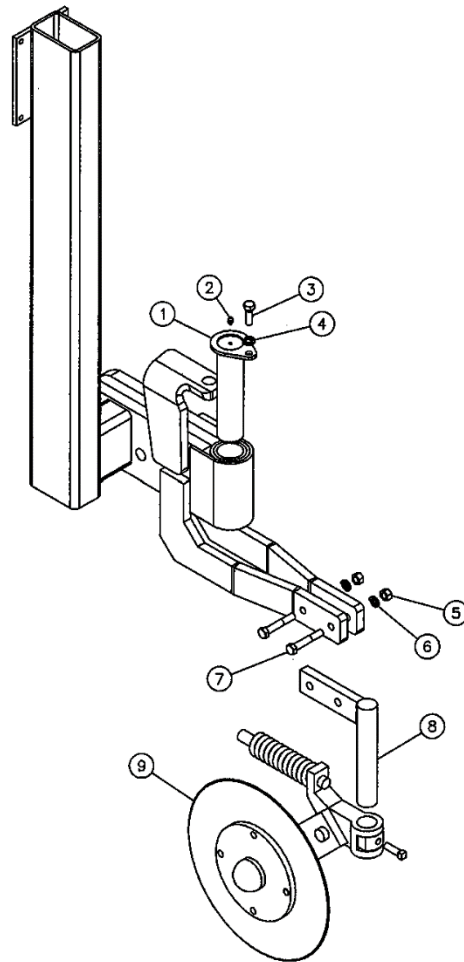
KEY	QTY.	PART NO.	DESCRIPTION
1	4	1200-07	3/8" X 1 1/2" Bolt
2	4	1200-08	3/8" Lock Washer
3	4	1200-09	3/8" Nut
4	2	1200-32	1/2" x 4" Hitch Pin with Hair Pin
5	3	1200-15	3/16" Hair Pin
6	1	1200-23	Retaining Pin
7	1	201106	Coulter Bracket/Offset
8	1	1200-47	Coulter Assembly
9	1	201028	Cat. 1 & 2 3-Point Pin
10	1	201031	Removable Fabric Retention Plate
11	1	1200-12	Fabric Tension Spring

Diagram - C



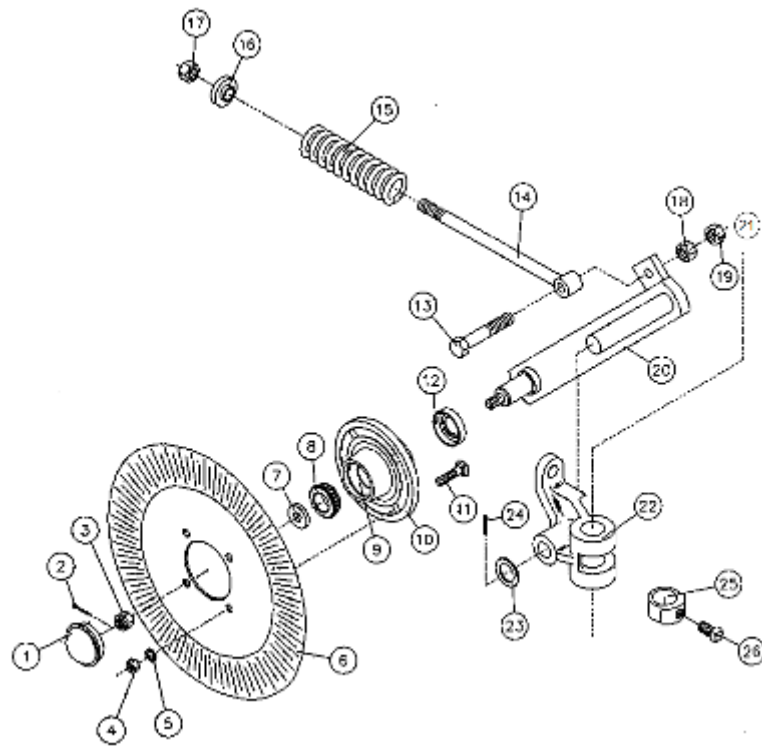
KEY	QTY.	PART NO.	DESCRIPTION
1	2	201018	Leg for Silt Fence Plow
2	2	1200-32	1/2" x 4" Hitch Pin with Hair Pin
3	3	1200-15	3/16" Hair Pin

Diagram - D



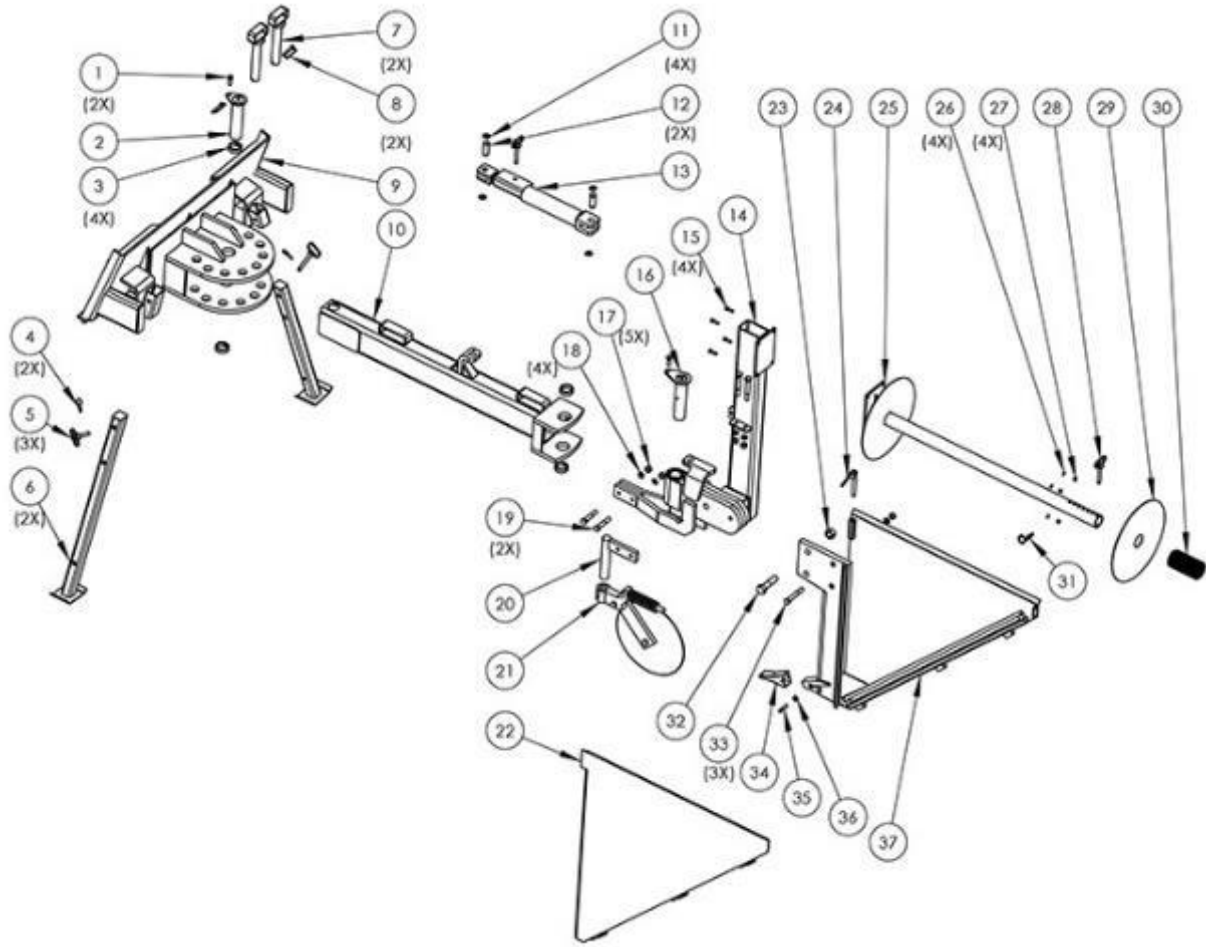
KEY	QTY.	PART NO.	DESCRIPTION
1	1	10092	2" Pin Pivot Point
2	1	1200-55	5/16" Drive-in Grease Zerk
3	1	1200-56	1/2" x 1 1/2" Bolt
4	2	1200-19	1/2" Lock Washer
5	2	1200-01	5/8" Nut
6	2	1200-58	5/8" Lock Washer
7	2	1200-20	5/8" x 3" Bolt
8	1	201106	Coulter Bracket/Offset
9	1	1200-47	Coulter Assembly

Diagram - E



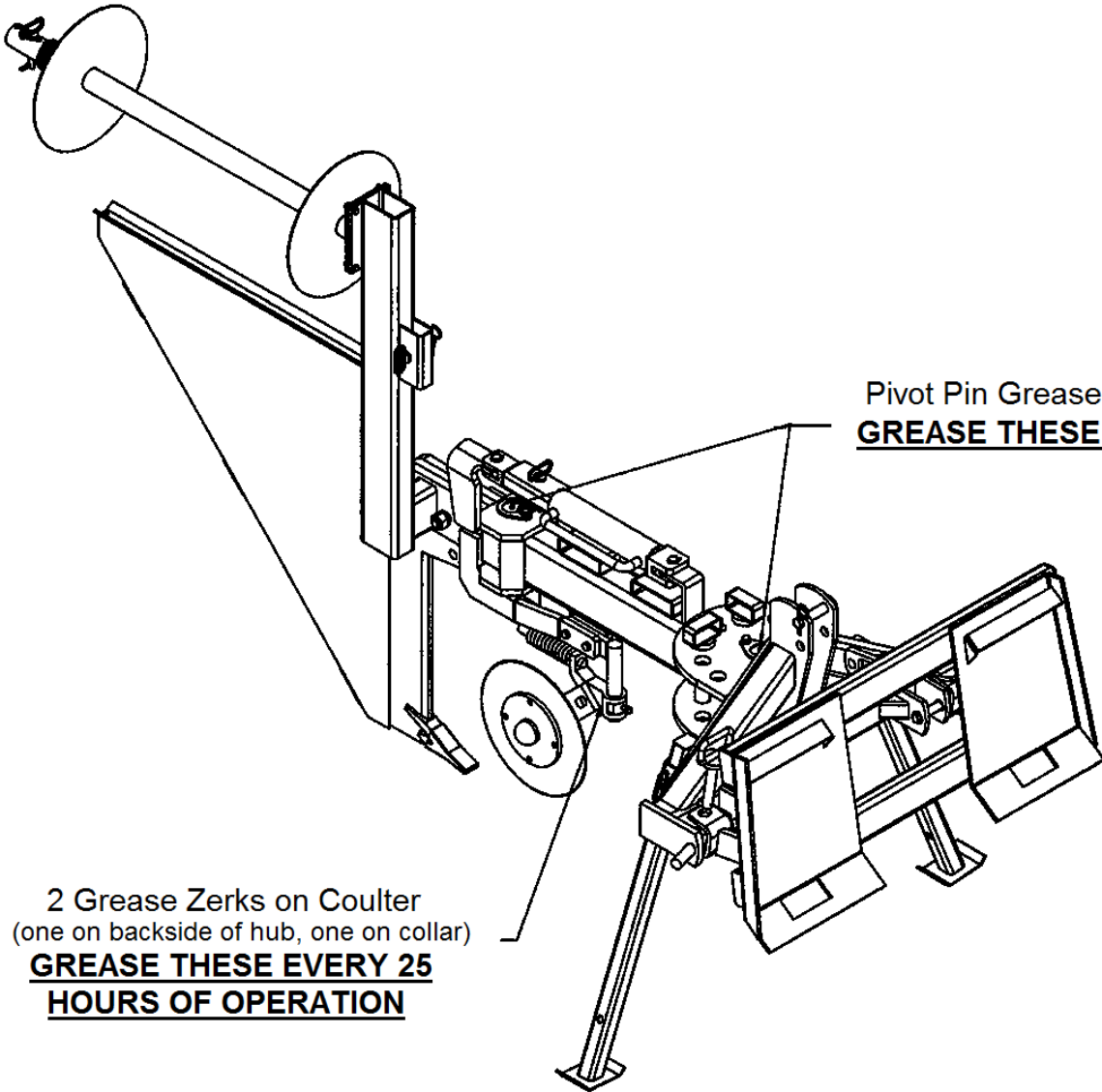
KEY	QTY.	PART NO.	DESCRIPTION
1	1	2570-375	Hub Cap
2	1	2531-102	1/8" X 1 1/4" Cotter Pin, Black
3	1	2520-469	5/8-1/ Slotted Hex Nut, Black
4	4	2520-352	1/2-13 Hex Nut ZP
5	4	2525-352	1/2" Med Lock Washer ZP
6	1	2571-161	.157 x 15.94" Ripple Blade
7	1	2526-449	5/8" Flat Washer, 1/4 ± .010 THK
8	2	2550-027	Cone, LM67048
9	2	2550-029	Cup (Pre-Assembled with #18
10	1	2900-102	Hub Sub-Assembly
11	4	2505-337	1/2-13 x 1 1/4" Carriage Bolt GR 5 ZP
12	1	2250-115	Seal CR 16069
13	1	2502-410	3/4-16 x 3" HHCS GR 5 ZP
14	1	2570-125	Pressure Rod, 9 3/8" Eyebolt
15	1	2550-708	7/16 Wire 2 1/8 OD x 1 1/4 ID x 7 1/4 C Spring
16	1	2555-112	2910 Spring Bushing Casting
17	1	2520-515	3/4-10 Lock Hex Nut ZP
18	1	2520-508	3/4-16 Hex Nut ZP
19	1	2520-511	3/4-16 Lock Hex Nut ZP
20	1	2910-201	Coulter Arm W.A.
21	1	2990-318	16" Straight Shank
22	1	2910-320	Pivot Casting Assembly
23	1	2526-561	1 17/64" ID x 1 7/8" OD x 14GA MB BL
24	1	2531-125	1/4" x 3/4" Cotter Pin ZP
25	1	2910-301	Locking Collar Plow Coulter
26	1	2503-379	5/8-11 x 1 SQ HCPSS GR 5 ZP
27	1	2531-161	5/16" x 2 1/2" Cotter Pin ZP
28	1	2530-208	3/8" x 2 1/2" Roll Pin ZP

Push-Pull Parts Diagram and List



KEY	QTY.	PART NO.	DESCRIPTION
1	2	P10001	Bolt
2	1	F10001	Pivot Pin
3	4	P10002	Bushing
4	2	P10003	Clip Pin
5	3	P10004	Hitch Pin
6	2	F10002	Leg Silt Fence Plow
7	2	F10003	Locking Pin for Rotary
8	2	F10004	Lock Pin
9	1	F10005	Front Assembly
10	1	F10006	Arm Assembly
11	4	F10007	Retaining Pin
12	2	F10008	Cylinder Pin
13	1	F10009	Cylinder Assembly
14	1	F10010	Rear Pivot Assembly
15	4	P10005	Bolt
16	1	F10011	Pivot Pin Silt Fence Plow
17	5	P10006	Nut
18	4	P10007	Lock Washer
19	2	P10008	Bolt
20	1	F10012	Shaft for Coulter
21	1	P10009	Coulter
22	1	F10013	Hinged Gate
23	1	P10010	Nut
24	1	F10014	Gate Pin
25	1	F10015	Spool Bar
26	4	P10011	Lock Washer
27	4	P10012	Nut
28	1	F10016	Hitch Pin
29	1	F10017	Spool Washer
30	1	F10018	Spring for Spool
31	1	P10013	Cotter Pin
32	1	P10014	Bolt
33	3	P10015	Bolt
34	1	F10019	Tooth Tip
35	1	F10020	Tooth Press Pin

GREASE POINTS

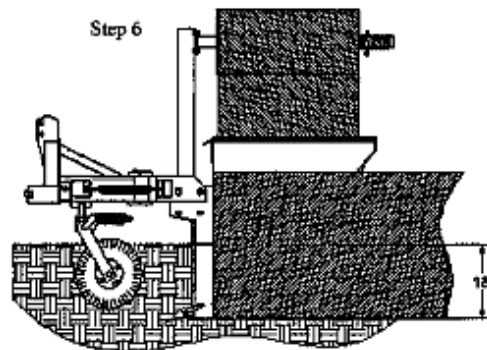
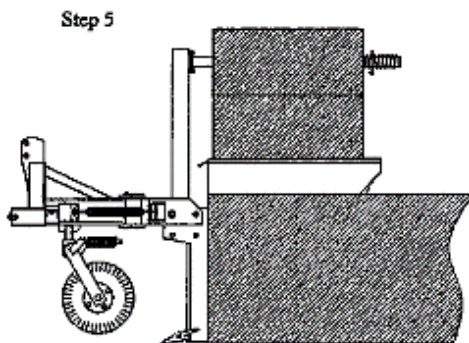
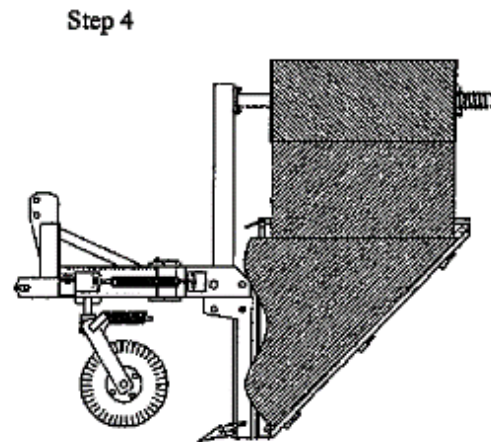
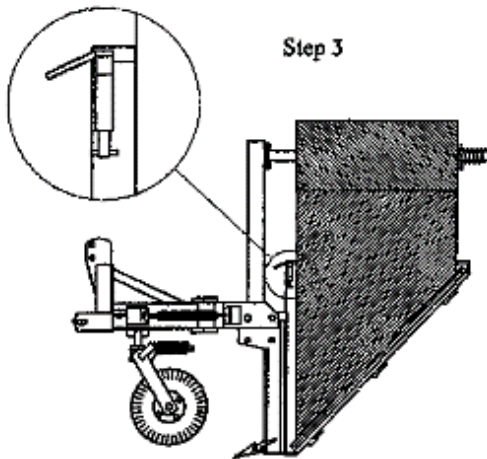
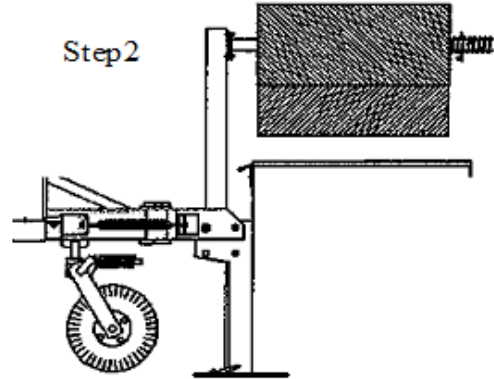
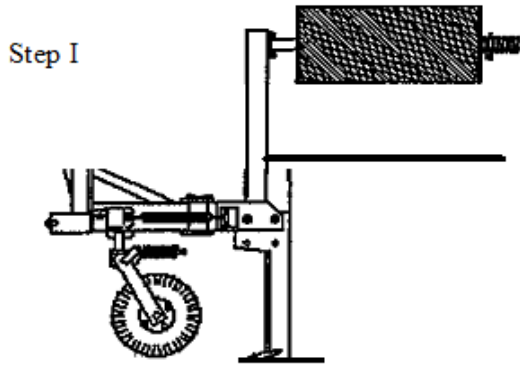


Pivot Pin Grease Zerks
GREASE THESE DAILY

2 Grease Zerks on Coulter
(one on backside of hub, one on collar)
**GREASE THESE EVERY 25
HOURS OF OPERATION**

FABRIC ROLL INSTALLATION

After you have the silt fence plow mounted to the tractor or skid loader, install the roll of fabric.

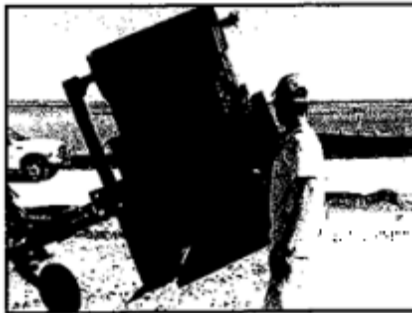


OPERATING THE SILT FENCE PLOW

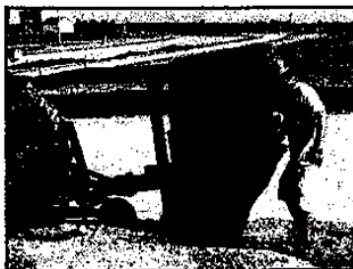
1. Load the roll of fabric on the machine and place the fabric plate behind the roll. Next, place the fabric tension spring and the retaining pin. The fabric spring tension can be adjusted by turning the spring to tighten or relieve the tension on the roll of fabric. Very little tension, if any, is required except in windy conditions. **(SEE BELOW)**



2. Thread the fabric under the stainless-steel rod in the back of the chute. The rod in the back of the chute transitions the fabric from a horizontal to a vertical position. Pull the fabric towards the front of the machine and close the fabric chute door. **(SEE BELOW)**



3. Tip the machine slightly forward with the hydraulic top link cylinder (required when using a tractor) when attached to the three-point hitch of a tractor or, when using a skid loader, use the bucket cylinder. Lower the machine into the ground to the desired depth of installation. Unroll the fabric so there is slack between the roll of fabric and the chute. This will allow the ground to grab the fabric before the roll of fabric starts turning. Let the tail of the fabric drag until the desired starting point is reached. This way there is no waste of silt fence material at the beginning of each run. When one person is operating the machine, the fabric can be staked down to start and when two people are operating it, one person simply holds onto the end of the fabric. **(SEE BELOW)**



4. As the machine moves forward, the fabric is grabbed by the ground as it comes out of the fabric chute. The unique positive feed design keeps the fabric tight at the top and bottom, eliminating the saggy or wavy look some silt fence installations have. Silt fence can be installed as fast as the power unit can comfortably be operated. When using a tractor, a hydraulic top link cylinder is required to adjust the plow to follow the terrain of the ground. This keeps the machine from nose diving into the ground or coming out of the ground. With a skid loader, the bucket cylinder is used to follow the terrain of the ground. (SEE BELOW)



5. When the end of the silt fence run is reached, the fabric can be cut off above the chute and run out. It can also be cut from each side of the fabric approximately 1/3 of the way to the center. After the cut fabric comes out the back of the chute, it can then be cut all the way through and the machine lifted out of the ground. Ending the run this way does not require the fabric to be re-fed through the chute. (SEE BELOW)



6. a. Pack the silt fence in using the power unit to drive down each side of the silt fence. The Silt Fence Plow shears a 2" wide trench upward disturbing a minimal amount of soil. The disturbed dirt is loosened to create optimum soil conditions for mechanical compaction. (SEE BELOW)



b. After the fabric has been properly compacted, it cannot be pulled out of the ground. In most cases, if the silt fence has to be removed, a log chain needs to be tied to the fabric and it is pulled out by a power unit. Removing silt fence this way can disturb the soil greatly. When silt fence removal is required, some people attach a blade to a weed eater and cut the fabric off at the top of the ground and leave the underground portion untouched. **(SEE BELOW)**



7. When using steel posts, they can be driven into the ground with the bucket of a tractor or a skid loader. Steel posts can be recycled and used over many times. Wooden posts are generally driven with a sledgehammer or a pneumatic post driver. **(SEE BELOW)**



8. a. When attaching the silt fence to wood posts, it can be stapled directly to the posts or wood lath can be used to sandwich the fabric for better holding. At least 5 staples are required per post and the posts are to be spaced, depending on the amount of water flow the area will receive, 4 to 8' apart. Always place posts on the downhill side of the fence to support the fence. Posts need to be driven in the ground as deep as the fabric is sticking out of the ground. **(SEE BELOW)**



b. When attaching the silt fence to steel posts, it is recommended that 2 to 3 zip ties be used in the upper 8" of the fence and tied diagonally to the post for better strength (most common ties are automotive zip ties). Always place post on the downhill side of the fence. Posts need to be driven as deep in the ground as the fabric is out of the ground. **(SEE BELOW)**



9. Put down: Loaded up and ready to go to the next job. **(SEE BELOW)**



SKID PRO ATTACHMENT WARRANTY

Attachments covered under this 12 Month Warranty include:

Buckets: 4N1, Concrete, Low Profile, Mega Snow, Snow & Litter, Stump & Rock; Grapples: Bucket, Skeleton, Scrap, Tine & Extra Heavy-Duty Rock Bucket; HD3 Brush Mower; Log Splitter; Pallet Fork Grapple; Hydraulic Pallet Forks; Snow Pusher; Telescopic Boom; Tree Puller; Bale Squeeze; Silt Fence Plow; Over the Tire Tracks; Trencher; Pick Up Broom; U-Blade; Trencher; Vibratory Roller;

Skid Pro warrants above attachments for twelve months from date of shipment, to the original owner. Warranty covers products to be free from defects in material and workmanship when properly set up and operated in accordance with Skid Pro's recommendations.

WARRANTY CLAIM PROCEDURE

All warranty claims must be submitted within the manufacturer's limited warranty period. Pictures and/or a video of the failing component(s) are required to properly document all potential warranty claims. To submit a warranty claim, contact your Skid Pro Product Guru or complete a [Warranty Claim Form](#) on our website and send it along with supporting pictures/video to sales@skidpro.com. Upon receipt, the warranty claim information will be reviewed and once determined to be a valid claim, a return authorization number will be issued for the return of the defective part(s) if applicable and replacement part(s) will be shipped. If it is determined the defective parts are to be returned and they are not received by Skid Pro within 30 days of receiving the replacement parts, the Buyer will be charged for the cost of the replacement parts plus any shipping charges. Tampering with the failed part (i.e. disassembling a motor or cylinder) will void the warranty.

EXCLUSIONS OF WARRANTY

Skid Pro's requirement for any issue with respect to attachments shall be limited to repairing or replacing the defective part, as this is a parts-only warranty and does not include any labor to replace or install the part or downtime from resulting issue. Skid Pro has full technical support & assistance to assure customer replaces the part properly for optimal performance on attachment.

This warranty shall not apply to any attachment's wear items, or attachments that have been repaired or altered outside the Skid Pro factory in any way, or that has been subject to misuse, negligence or accident beyond Skid Pro's recommended use and/or machine rated capacity.

This warranty is exclusive and in lieu of all other warranties and conditions. Skid Pro disclaims all other warranties and conditions, express or implied, including any implied warranties or conditions of merchantability or fitness for a particular purpose. In no event shall Skid Pro be liable for any special, incidental, indirect or consequential damage, whatsoever, including, but not limited to, loss or interruption of business, lost profits, or loss of machine use, whether based on contract, warranty, tort, negligence, strict liability, statute or otherwise, even if Skid Pro has been advised of the possibility of such damages.

No agent, employee, or representative of Skid Pro has any authority to bind said company to any affirmation, representation, or warranty concerning its machinery and/or attachments except as specifically set forth herein. Any disagreement or dispute of warranty policy or customer expectations of product, soundness, functionality, or performance would take place in Douglas County, Alexandria, MN, where Skid Pro operates.



**PO BOX 982
Alexandria, MN 56308**

**Phone: 877-378-4642
FAX: 320-759-1057
www.skidpro.com
sales@skidpro.com**