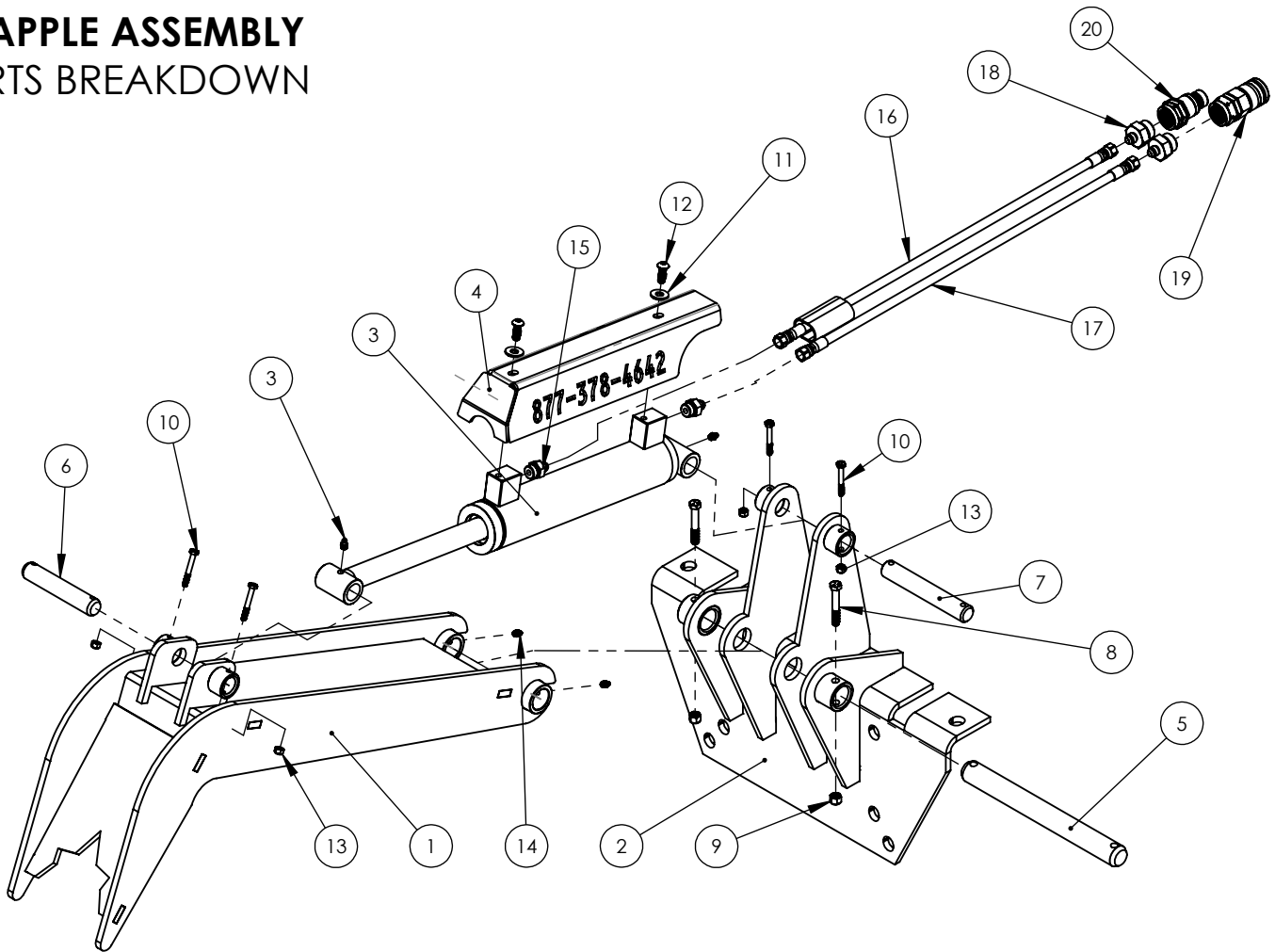


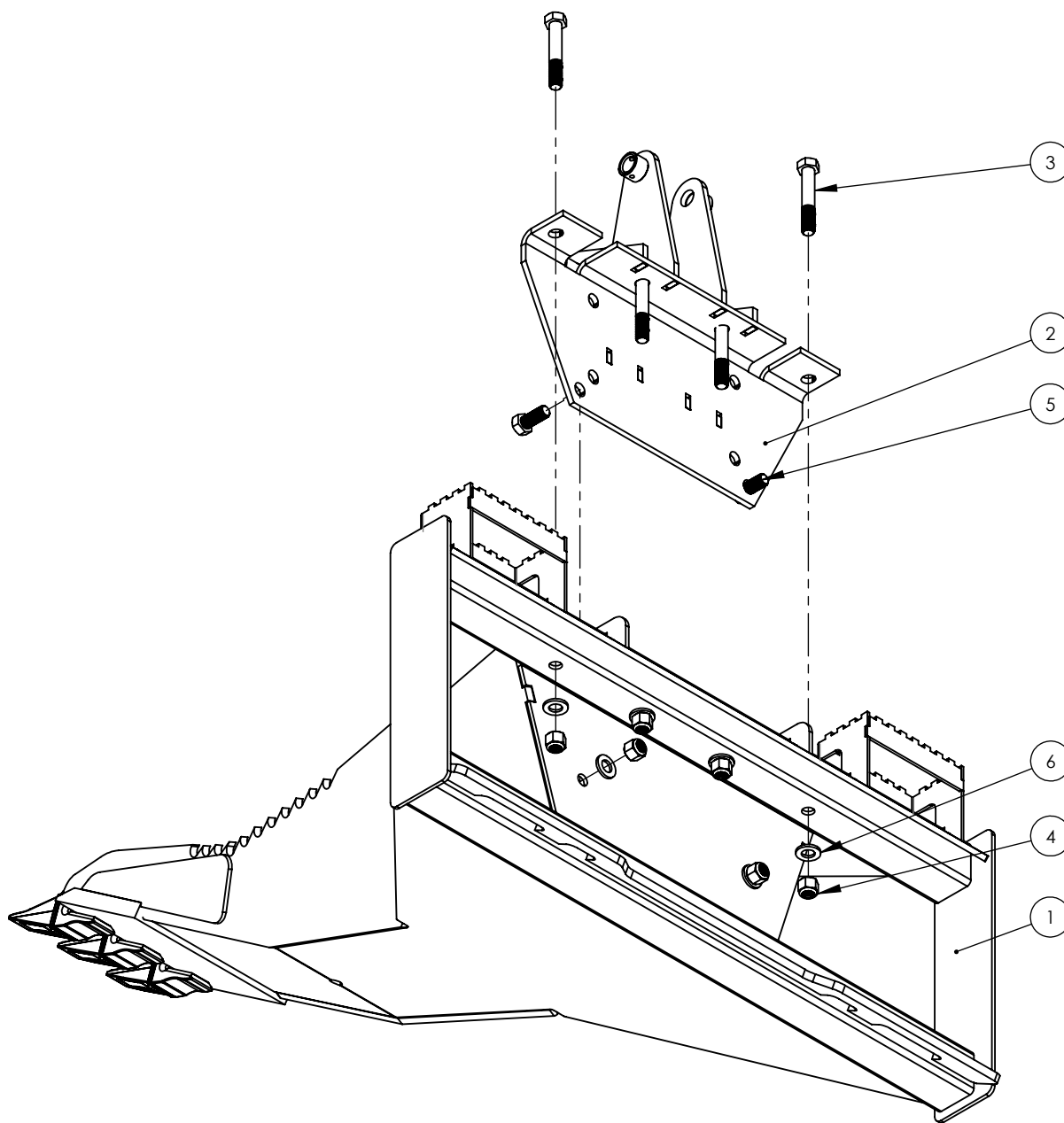
GRAPPLE ASSEMBLY PARTS BREAKDOWN



ITEM NO.	PART NUMBER	DESCRIPTION	QTY.
1	632-2-0014	STUMP GRAPPLE CLAMP	1
2	632-2-0015	GRAPPLE MOUNT	1
3	657-02-0100	2.5 X 10 CYLINDER	1
4	657-3-0200	CYLINDER COVER	1
5	632-3-0028	PIN	1
6	657-3-0032-72	PIN	1
7	AU-03-35050	PIN	1
8	HW-.375-16X2.5G5	3/8-16 X 2.50 GRADE 5 BOLT	2
9	HW-.375-16NYL	3/8 - 16 NYLOCK NUT	2
10	HW-.25-20X2.0G5	1/4 X 2.00 BOLT	4
11	HW-.375USSFW	3/8" FLAT WASHER	2
12	HW-.375-16X1BHS	3/8-16X1 BUTTON HEAD SCREW	2
13	HW-.25-20NYL	1/4"-20 NYLOCK NUT	4
14	HW-.125-NPTSGF	GREASE ZERK	2
15	H375-FT21-6-8	-8 M ORB X -6 M JIC	2
16	H250-84-6J6J	HOSE 1/4 X 84 6FJIC 6FJIC	1
17	H250-96-6J6J	HOSE 1/4 X 96 6FJIC 6FJIC	1
18	H375-FT21-6-12	6MJIC-12MORB	2
19	AU-03-9990-12-12	1/2" FEMALE COUPLER	1
20	AU-03-9991-12-12	1/2" MALE COUPLER	1
21	HSL250	.250" HOSE SLEEVE	1

BUCKET ASSEMBLY

PARTS BREAKDOWN



ITEM NO.	PART NUMBER	DESCRIPTION	QTY.
1	632-2-0002	STUMP BUCKET	1
2	632-2-0015	GRAPPLE MOUNT	1
3	HW-.750-10X4.5G8	3/4"-10 X 4.5 BOLT	4
4	HW-.750-10NYLG8	3/4"-10 NYLOCK NUT G8	6
5	HW-.750-10X1.75G8	BOLT 3/4-10 X 1.75 GRADE 8	2
6	HW-.750 FW GR8	3/4" USS GRADE 8 FLAT WASHER	6