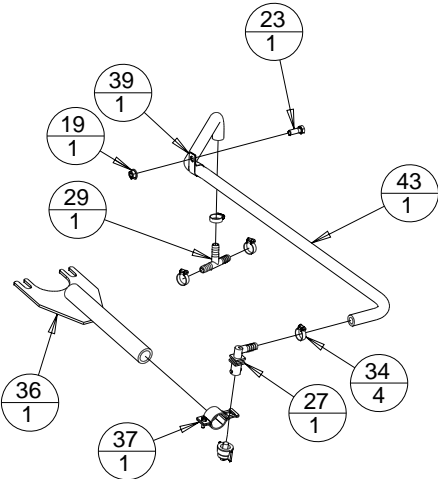


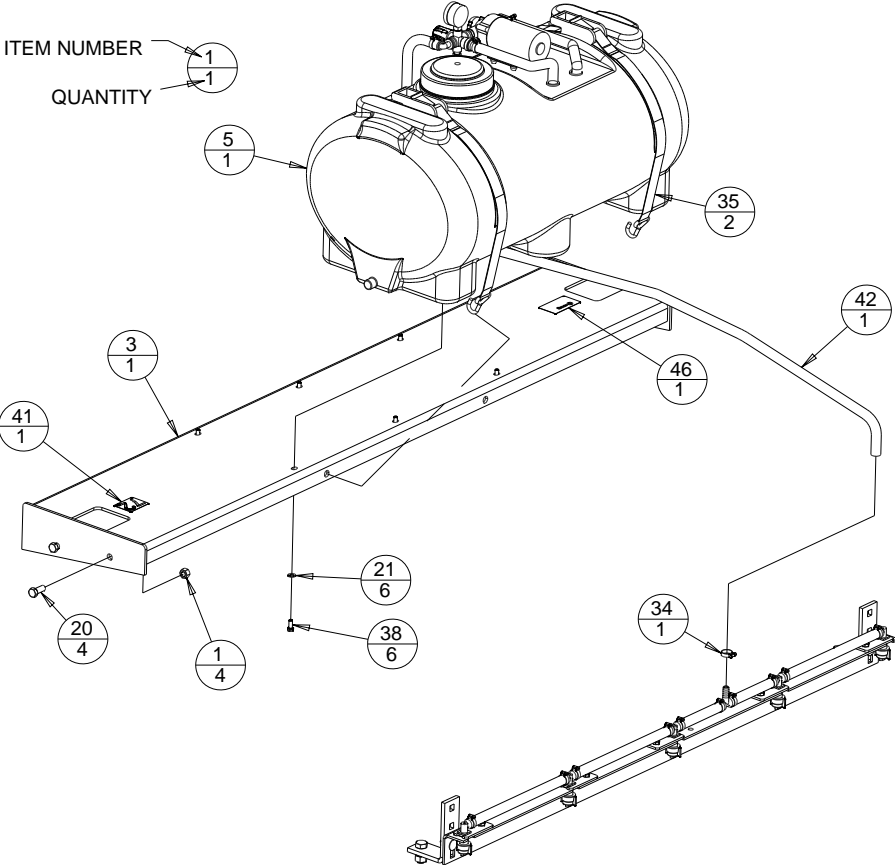
# Skid Pro Attachments

## Pick Up Broom Water Kit

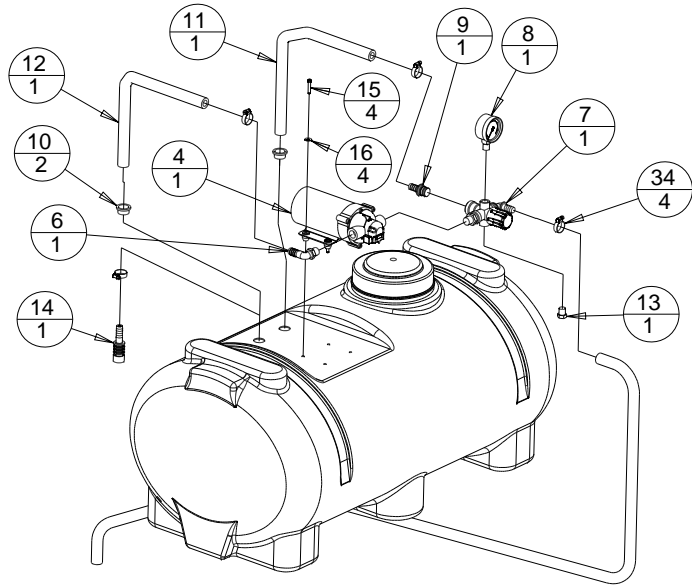
### Gutter Brush Nozzle Assembly



### Water Kit Main Assembly



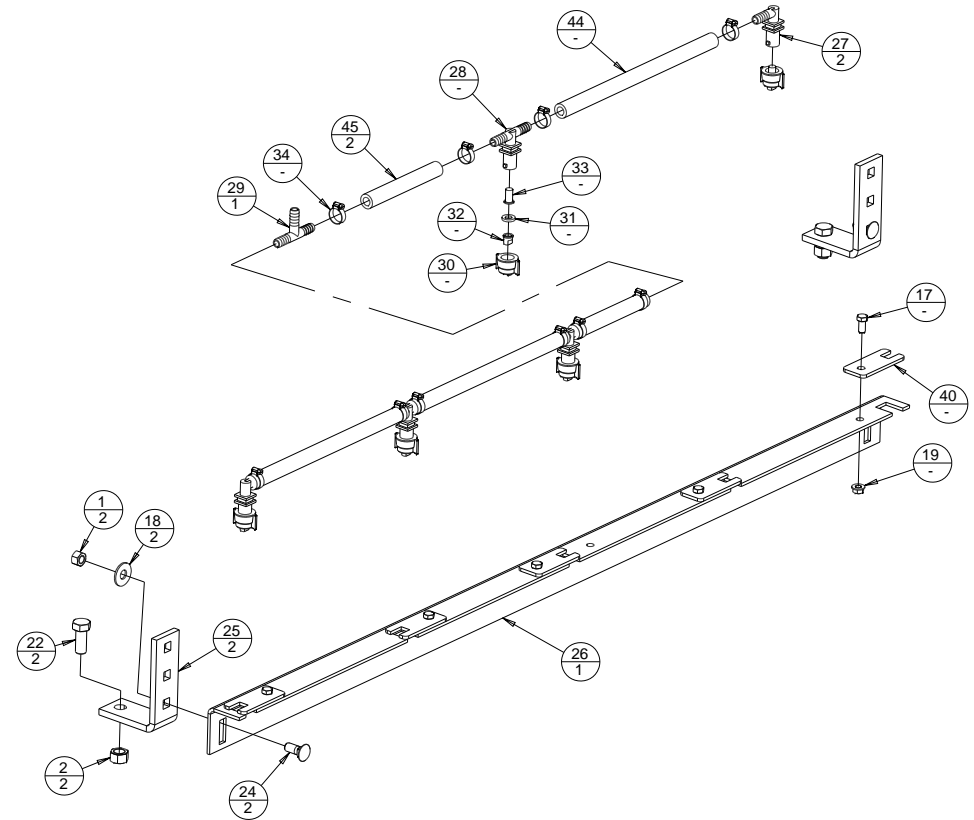
## Water Tank Assembly



When installing the pressure gauge (Item #8), hose fitting elbow (Item #6), 1/4" Hex Plug (Item #13) and straight adapter into pump from pressure regulator (Item #7), use thread sealant to prevent leakage.

The Water Tank Assembly is pre-assembled at the factory.

## Spray Bar Assembly



The Spray Bar Assembly, excluding the spray bar mount brackets (Item #25), is pre-assembled at the factory.

## Water Kit Parts List

ITEM	PART NO.	QTY	DESCRIPTION
1	1003PP	6	1/2"-13 REVERSE LOCK NUT
2	1008PP	2	5/8"-11 TOP LOCK NUT
A 3	-----	1	WATER TANK MOUNT WELDMENT
4	10435PP	1	WATER KIT PUMP
5	10436VP	1	WATER KIT TANK WITH HOLES
6	10437PP	1	1/2" 90 DEGREE HOSE FITTING
7	10438PP	1	PRESSURE REGULATOR
8	10439PP	1	2" PRESSURE GAUGE
9	10440PP	1	1/2" STRAIGHT HOSE FITTING
10	10441PP	2	1/2" HOSE GROMMET
11	10442VP	1	HOSE 1/2" VR X 24"
12	10443VP	1	HOSE 1/2" VR X 34"
13	10444PP	1	1/4" HEX PLUG
14	10445PP	1	1/2" NYLON STRAINER
15	10447PP	4	#10-24 X 1" LG MACHINE SCREW
16	10448PP	4	#10 FLAT WASHER
A 17	1116PP	-	3/8"-16 X 3/4" LG HHCS
18	5148PP	2	1/2" USS FLAT WASHER
A 19	6140PP	-	3/8"-16 TOP LOCK FLANGE NUT
20	7487PP	4	1/2"-13 X 1 1/4" LG HHCS
21	7671PP	6	5/16" FLAT WASHER
22	7778PP	2	5/8"-11 X 1 1/2" LG HHCS
23	7849PP	1	3/8"-16 X 1" LG HHCS
24	7964PP	2	1/2"-13 X 1 1/4" LG CB
25	8889VP	2	SPRAY BAR MOUNTING BRACKET
A 26	-----	1	NOZZLE MOUNTING BAR
27	8894PP	3	ELBOW SPRAY NOZZLE 1/2" BARBED
A 28	8895PP	-	TEE SPRAY NOZZLE 1/2" BARBED
29	8896PP	2	TEE 1/2" BARBED
A 30	8898PP	-	SPRAY NOZZLE CAP
A 31		-	SPRAY NOZZLE GASKET
A 32	8901PP	-	SPRAY NOZZLE 80DEG EVEN SPRAY
A 33	8902PP	-	SPRAY NOZZLE SCREEN
A 34	8903PP	-	CLAMP HOSE WATER KIT
35	8905PP	2	RATCHET STRAP

. Cap (Item #30) and Gasket (Item #31) ordered as a set.

## Water Kit Parts List (cont.)

ITEM	PART NO.	QTY	DESCRIPTION
36	8907VW	1	GUTTER BRUSH NOZZLE MOUNT WDT
37	8910PP	1	CLAMP GUTTER BRUSH NOZZLE
38	8911PP	6	5/16"-18 X 3/4" LG HHCS
39	8913PP	1	7/8" HOSE CLIP WATER KIT
A 40	9370VP	-	WATER KIT NOZZLE RETAINER
A 41	-----	1	WIDTH LABEL
42	9588VP	1	HOSE 1/2" AG X 96"
43	9589VP	1	HOSE 1/2" AG X 48"
A 44	9590VP	-	HOSE 1/2" AG X 13 1/2"
45	9591VP	2	HOSE 1/2" AG X 6 1/4"
46	SERIALTAG	1	SERIAL NUMBER TAG
B 47	8950VA	1	WATER KIT WIRING HARNESS
B 48	9587VA	1	WATER KIT WIRING HARNESS TANK

A - See Table 1

B - Not Shown

Table 1

MODEL	WK60	WK72	WK84
3/8"-16 X 3/4" LG HHCS	4	5	6
3/8"-16 TOP LOCK FLANGE NUT	5	6	7
WATER TANK MOUNT WELDMENT	10494VW	10432VW	10497VW
NOZZLE MOUNTING BAR	8918VP	8890VP	8924VP
WATER KIT NOZZLE RETAINER	4	5	6
TEE SPRAY NOZZLE 1/2" BARB	2	3	4
SPRAY NOZZLE CAP	5	6	7
SPRAY NOZZLE GASKET	5	6	7
SPRAY NOZZLE 80DEG EVEN SPRAY	5	6	7
SPRAY NOZZLE SCREEN	5	6	7
CLAMP HOSE WATER KIT	17	19	21
WIDTH LABEL	9392PP	9397PP	9399PP
HOSE 1/2" AG X 13 1/2"	2	3	4