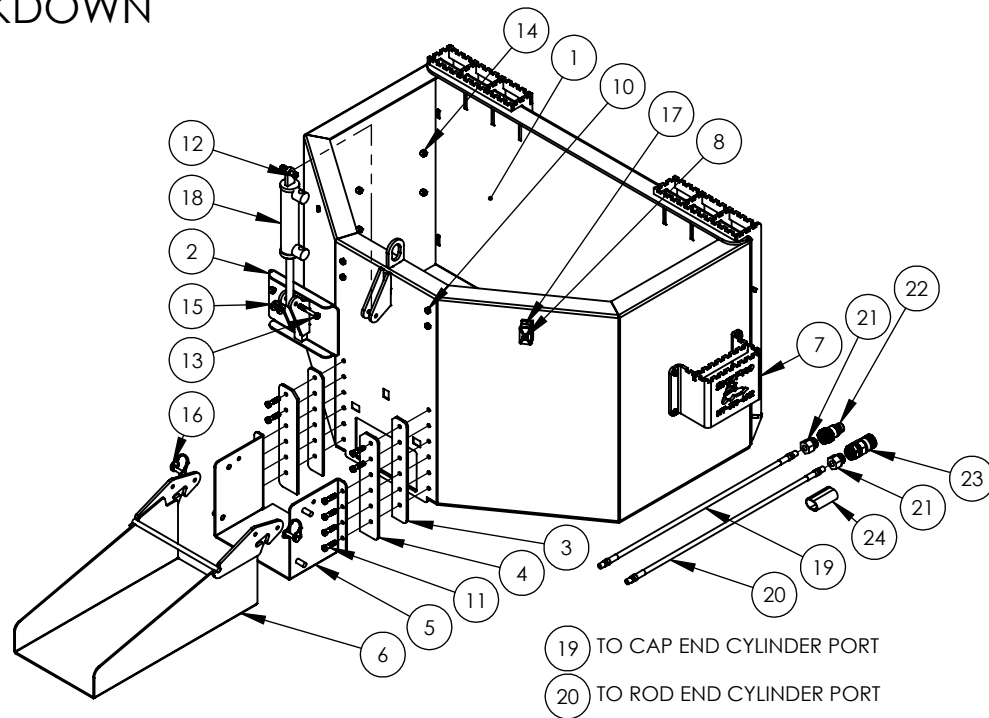


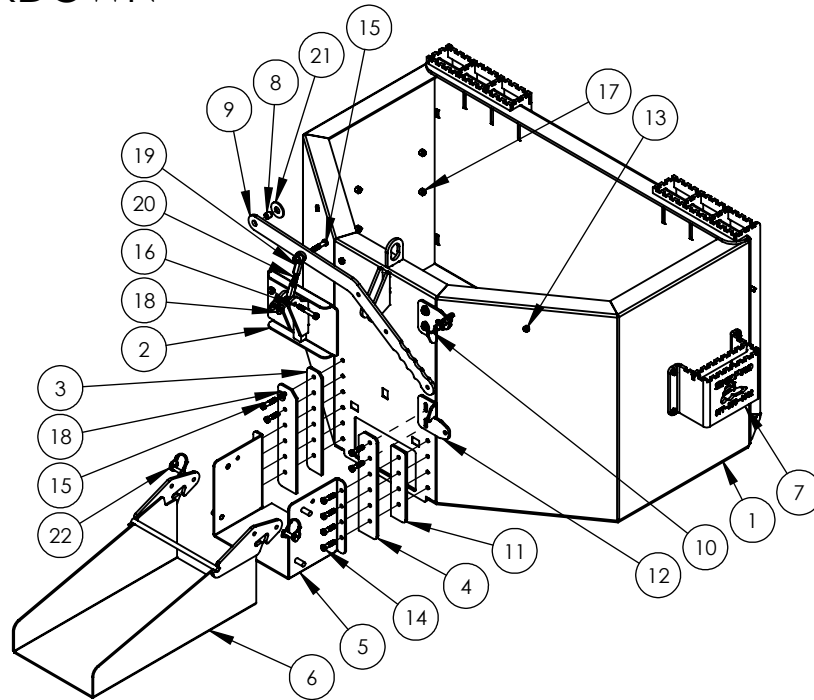
775-01-0001-4-H CONCRETE BUCKET-HYDRAULIC PARTS BREAKDOWN



ITEM NO.	PART NUMBER	DESCRIPTION	QTY.
1	775-02-0001	BUCKET BODY	1
2	775-02-0002	GATE ASM	1
3	775-03-0014	GATE SPACER	2
4	775-03-0015	BOLT PLATE	2
5	775-02-0003	STATIC CHUTE ASM	1
6	775-02-0004	DYNAMIC CHUTE ASM	1
7	775-02-0006	LOGO STEP ASM	2
8	HW-.312-18X2.00G5	5/16"-18X2.0 G5 HH	1
9	HW-.312-18NYLG5	5/16 - 18 NYLOCK NUT	1
10	HW-.375-16X1.0G5	3/8"-16X1" HEX BOLT G5	13
11	HW-.375-16X1.5G5	3/8"-16 X 1 1/2" GRADE 5 BOLT	12
12	HW-.375-16X2.0G5	3/8"-16 X 2" GRADE 5 BOLT	1
13	HW-.375-16X2.5G5	3/8-16 X 2.50 GRADE 5 BOLT	1
14	HW-.375-16NYL	3/8 - 16 NYLOCK NUT	27
15	HW-.375USSFW	3/8" FLAT WASHER	4
16	HW-.375X1.125WLCP	3/8 X 1-1/8" WIRE LOCK CLEVIS	2
17	H250-HOSE CLAMP	TWIN HOSE CLAMP 1/4" HOSE	1
18	AU-01-1600	CHUTE TIP CYLINDER	1
19	H250-102-AA	1/4" X 102" HOSE (CAP END)	1
20	H250-108-AA	1/4" X 108" (ROD END)	1
21	H250-FT1612	-12 MALE ORB X 1/4" FEMALE ADAPTER	2
22	AU-03-9991-12-12	1/2" MALE COUPLER	1
23	AU-03-9990-12-12	1/2" FEMALE COUPLER	1
24	HSL250	.250" HOSE SLEEVE	6 FT

775-01-0001-4-M CONCRETE BUCKET-MANUAL

PARTS BREAKDOWN



ITEM NO.	PART NUMBER	DESCRIPTION	QTY.
1	775-02-0001	BUCKET BODY	1
2	775-02-0002	GATE ASM	1
3	775-03-0014	GATE SPACER	1
4	775-03-0015	BOLT PLATE	2
5	775-02-0003	STATIC CHUTE ASM	1
6	775-02-0004	DYNAMIC CHUTE ASM	1
7	775-02-0006	LOGO STEP ASM	2
8	775-03-0024	GATE LEVER SPACER	1
9	775-03-0023	MANUAL GATE LEVER	1
10	775-03-0030	LEVER LATCH UPPER	1
11	775-03-0032	GATE SPACER - MANUAL	1
12	775-03-0031	LEVER LATCH LOWER	1
13	HW-.375-16X1.0G5	3/8"-16X1" HEX BOLT G5	14
14	HW-.375-16X1.5G5	3/8"-16 X 1 1/2" GRADE 5 BOLT	11
15	HW-.375-16X1.75G5	3/8"-16X1 3/4" GRADE 5 BOLT	2
16	HW-.375-16X2.5G5	3/8-16 X 2.50 GRADE 5 BOLT	1
17	HW-.375-16NYL	3/8 - 16 NYLOCK NUT	28
18	HW-.375USSFW	3/8" FLAT WASHER	5
19	HW-.375FBJ	3/8"-24 FEMALE BALL JOINT	2
20	HW-.375-24X4TR	3/8"-24 X 4" THREADED ROD	1
21	HW-.625FW	5/8" FLAT WASHER	1
22	HW-.375X1.125WLCP	3/8 X 1-1/8" WIRE LOCK CLEVIS	3