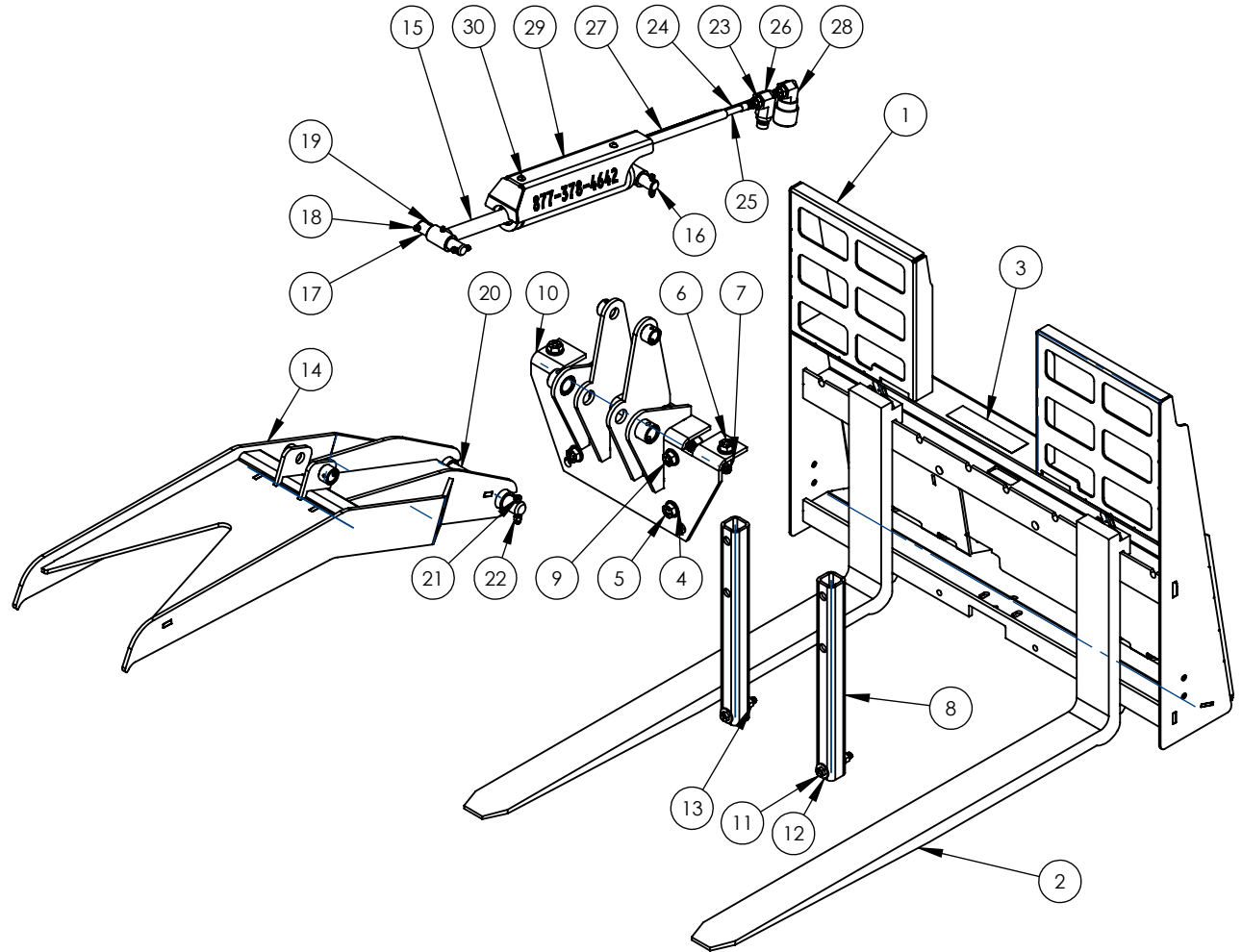


ITEM NO.	PART NUMBER	DESCRIPTION	QTY.
1	632-1-2050	FORK BACKER	1
2	AU-02-0001-48	FORK TINE	2
3	AU-03-1147	STEP GRIP	1
4	HW-.750 FW GR8	3/4" USS GRADE 8 FLAT WASHER	8
5	HW-.750-10X4.0 G8	3/4"-10 X 4" GRADE 8 BOLT	2
6	HW-.750-10X2.50G8	3/4"-10 X 2 1/2" GRADE 8 BOLT	4
7	HW-.750-10 NYL G8	3/4-10 NYLOCK NUT ZINC	8
8	366-03-0010	FORK GRAPPLE SUPPORT TUBE	2
9	HW-.750-10X3.50G8	3/4"-10 X 3 1/2" GRADE 8 BOLT	2
10	632-2-0015	GRAPPLE MOUNT	1
11	HW-.500-13X3.5 G5	1/2"-13 X 3 1/2" GRADE 5 BOLT	2
12	HW-.500 FW	1/2" FLAT WASHER	2
13	HW-.500-13 NYL	1/2-13 NYLOCK NUT ZINC	2
14	366-02-0001	FORK GRAPPLE TOP	1
15	657-02-0100	2.5 X 10 CYLINDER	1
16	AU-03-35050	PIN	1
17	657-3-0032-72	PIN	1
18	HW-.25-20X2.0 G5	1/4 X 2.00 BOLT	4
19	HW-.25-20 NYL	1/4"-20 NYLOCK NUT	4
20	632-3-0028	PIN	1
21	HW-.375-16X2.5 G5	3/8-16 X 2.50 GRADE 5 BOLT	2
22	HW-.375-16 NYL	3/8 - 16 NYLOCK NUT	2
23	H375-FT21-6-8	-8 M ORB X -6 M JIC	4
24	H250-96-6J6J	1/4 X 84 6FJIC 6FJIC	1
25	H250-84-6J6J	1/4 X 84 6FJIC 6FJIC	1
26	AU-03-9990-8ORB90	90° MALE FLAT FACE COUPLER	1
27	HSL-250	1/4" HOSE SLEEVE	1
28	AU-03-9991-8ORB90	90° FEMALE FLAT FACE COUPLER	1
29	657-3-0200	CYLINDER COVER	1
30	HW-.375-16X1.0BHS	3/8 X 1.0 BUTTON HEAD SCREW	2



632-1-2050-G PARTS BREAKDOWN

SN: 63022 - CURRENT