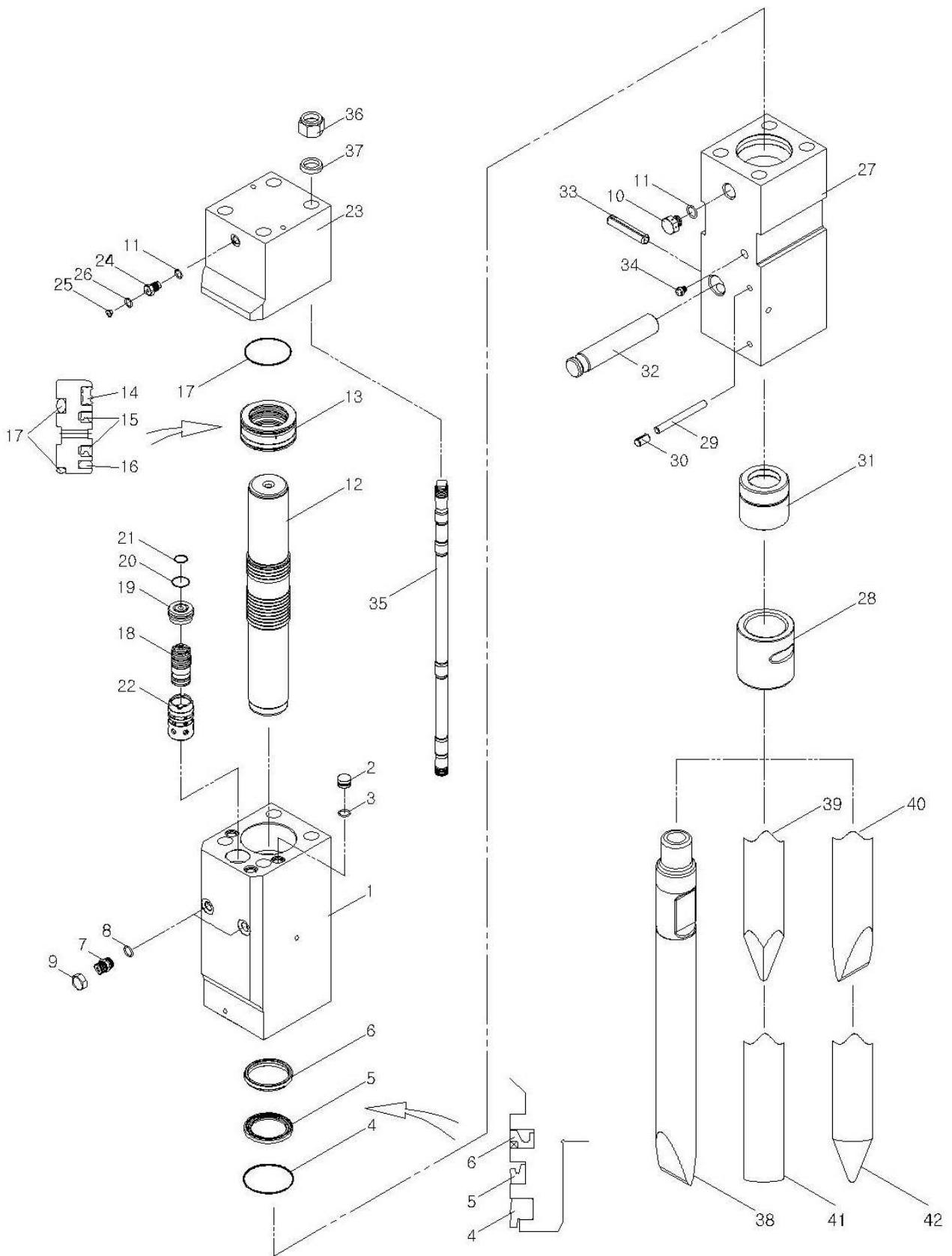
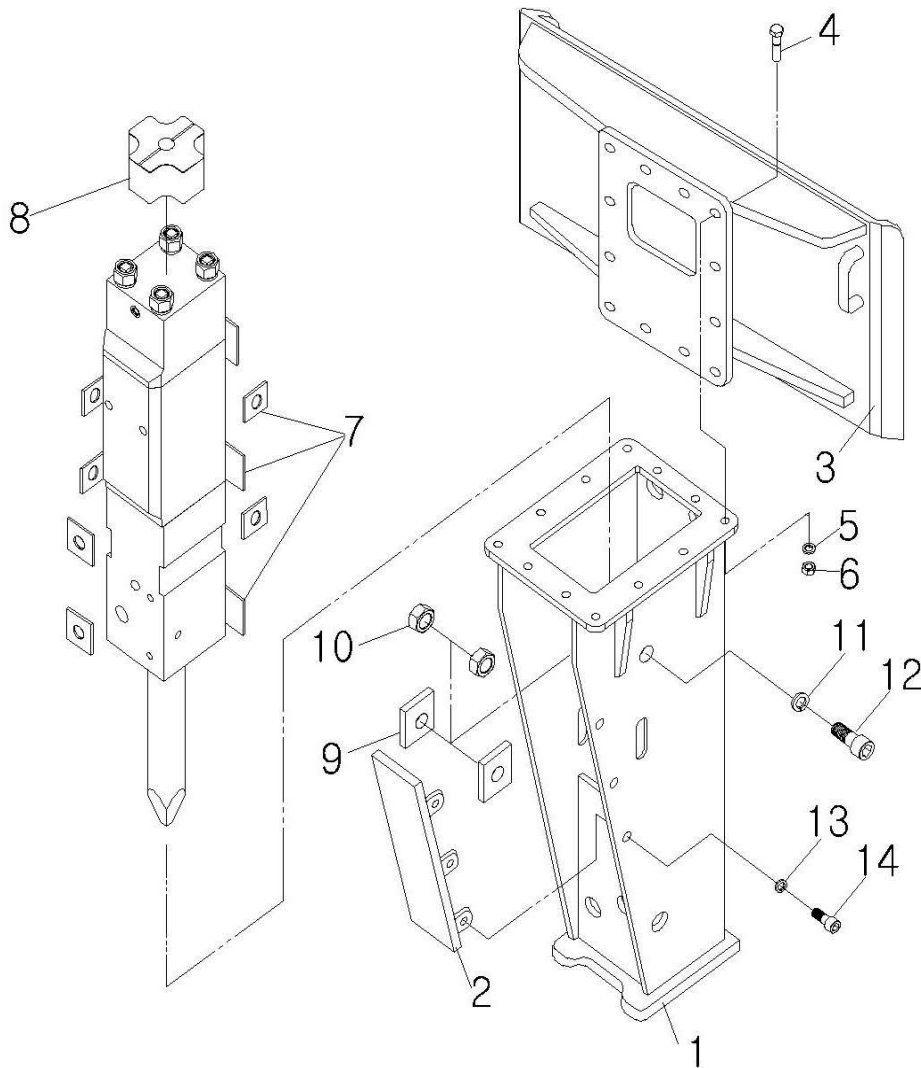


# SP450 MAIN BODY



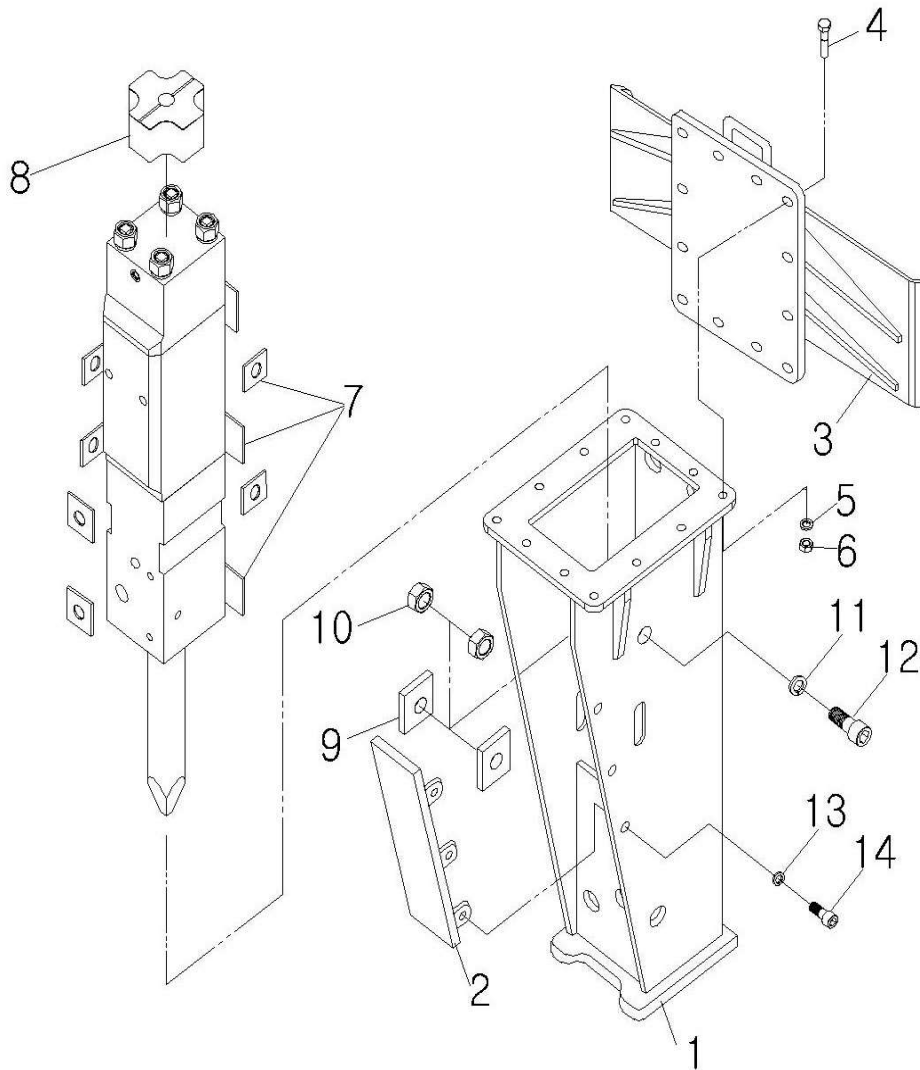
NO	PART NO.	PART NAME	QTY	REMARKS
-	A20100	MAIN BODY	1	1~37
-	N20100	SEAL KIT	1	
-	A20110	CYLINDER ASSY	1	1~22
1	B20110	CYLINDER	1	
2	D10210	TEFLON PLUG	3	
3	1BP11	O-RING	3	
4	DSI45	DUST SEAL	1	
5	ISI45	U-PACKING	1	
6	SRTN45	BUFFER SEAL	1	
7	D10110	IN/OUT ADAPTER	2	
8	1BP20	O-RING	2	
9	D10150	ADAPTER CAP	2	
10	D10230	AIR CHECK VALVE	1	
11	1BP18	O-RING	2	
12	B20120	PISTON	1	
-	A20130	SEAL RETAINER ASSY	1	13~17
13	B20130	SEAL RETAINER	1	
14	GAS42	GAS SEAL	1	
15	IUIS42	U-PACKING	2	
16	BFR42	BUFFER SEAL	1	
17	1BG65	O-RING	3	
-	A10300	VALVE ASSY	1	18~22
18	B10340	VALVE	1	
19	B10350	VALVE PLUG	1	
20	1BP30	O-RING	1	
21	1BG25	O-RING	1	
22	B10360	VALVE SLEEVE	1	
23	B20610	BACK HEAD	1	
-	D10640	GAS CHARGING VALVE ASSY	1	11,24~26
24	D10641	GAS CHARGING VALVE	1	
25	D10642	GAS CHARGING VALVE PLUG	1	
26	1BP16	O-RING		
-	A20500	FRONT HEAD ASSY	1	27~34
27	B20510	FRONT HEAD	1	
28	C20530	LOWER BUSH	1	
29	C20560	BUSH PIN	2	
30	SP1335	SPRING PIN	2	
31	C20520	UPPER BUSH	1	
32	C20540	CHISEL PIN	1	
33	SP1080	SPRING PIN	1	
34	D10590	GREASE NIPPLE	1	
-	A20700	THROUGH BOLT ASSY	4	35~37
35	C20710	THROUGH BOLT	4	
36	C20720	THROUGH BOLT TOP NUT	4	
37	C20730	THROUGH BOLT WASHER	4	
38	K20100	H-WEDGE CHISEL	1	
39	K20200	MOIL POINT	1	
40	K20300	V-WEDGE CHISEL	1	
41	K20500	BLUNT CHISEL	1	
42	K20600	CONE CHISEL	1	

# SP450 SKID BRACKET



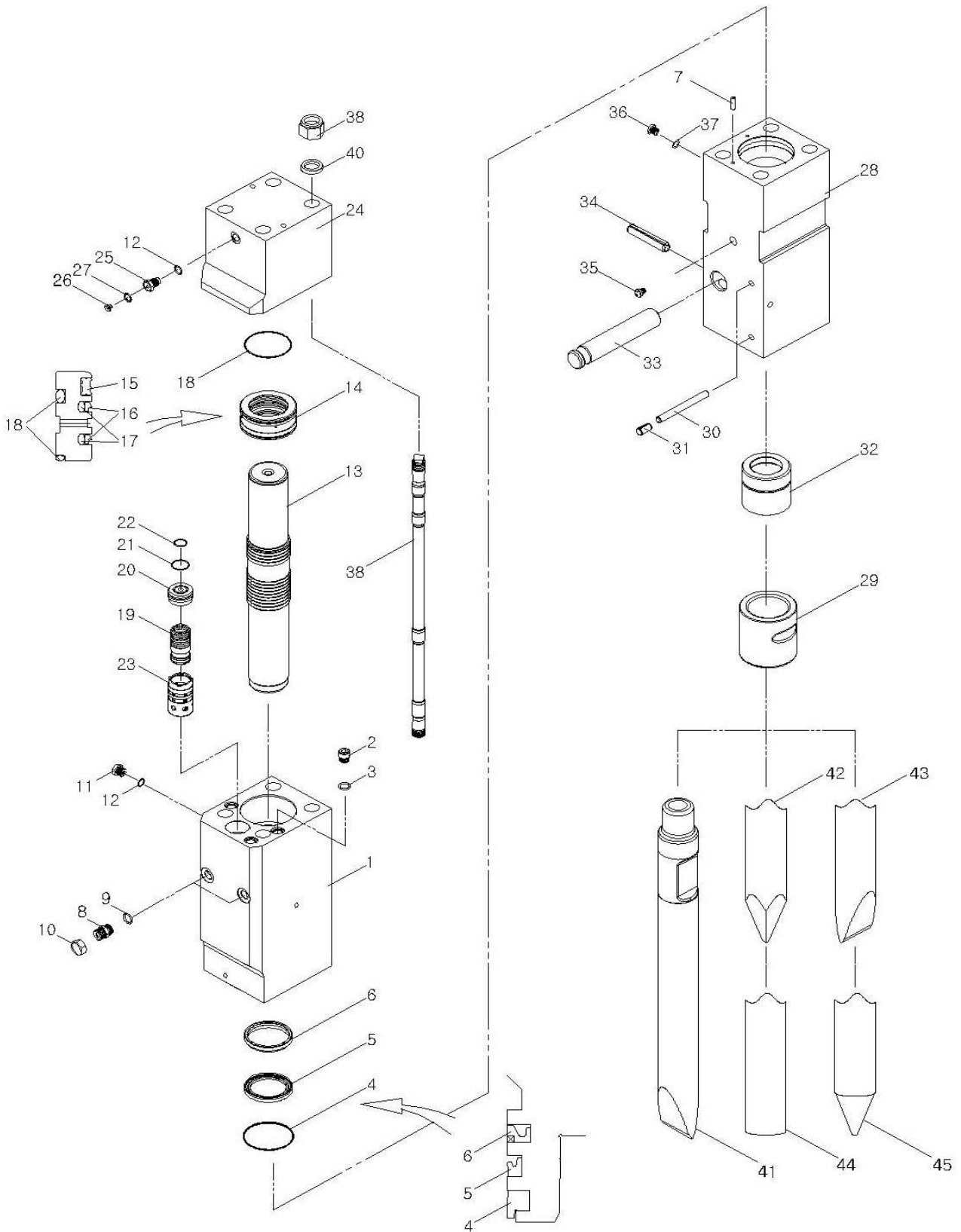
NO	PART NO.	PART NAME	QTY	REMARKS
-	F20600	SKID BOX BRACKET ASSY	1	1~3,9
1	F20610	BOX BRACKET	1	
2	F20620	COVER PLATE	1	
3	F20630	SKID TOP MOUNT	1	
4	HB182570	HEX BOLT	12	
5	SW18	SPRING WASHER	12	
6	NN1825	NYLON NUT	12	
7	T6133040	PAD	9	
8	T7103230	UPPER DAMPER	1	
9	F20650	GUIDE PLATE	2	
10	HN2430	HEX NUT	2	
11	SW24	SPRING WASHER	2	
12	WB243085	WRENCH BOLT	2	
13	SW14	SPRING WASHER	6	
14	WB142030	WRENCH BOLT	6	

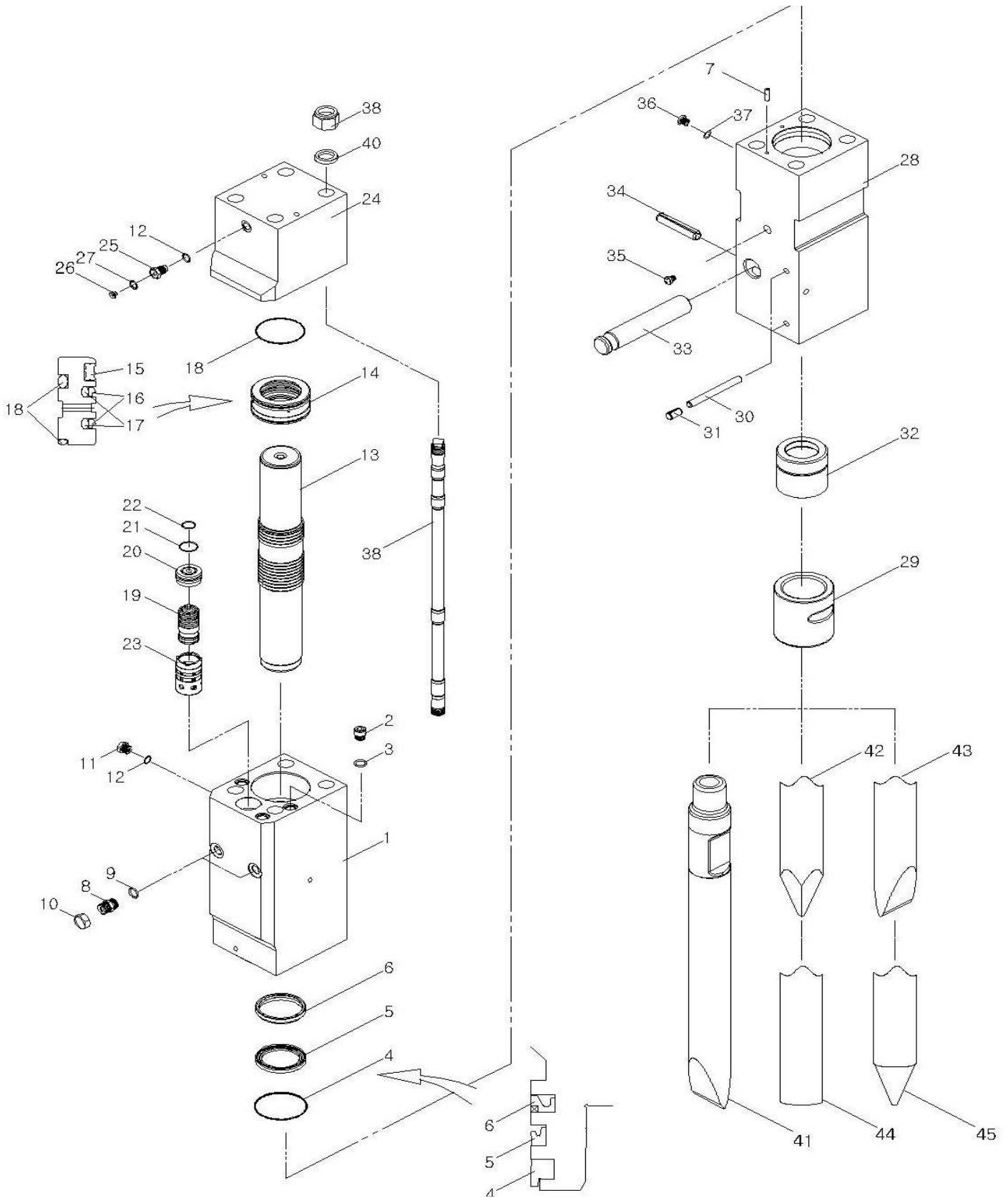
# SP450T TORO DINGO BRACKET



NO	PART NO.	PART NAME	QTY	REMARKS
-	F20600	SKID BOX BRACKET ASSY	1	1~3,9
1	F20610	BOX BRACKET	1	
2	F20620	COVER PLATE	1	
3	F20631	SKID TOP MOUNT	1	TORO DINGO
4	HB182570	HEX BOLT	12	
5	SW18	SPRING WASHER	12	
6	NN1825	NYLON NUT	12	
7	T6133040	PAD	9	
8	T7103230	UPPER DAMPER	1	
9	F20650	GUIDE PLATE	2	
10	HN2430	HEX NUT	2	
11	SW24	SPRING WASHER	2	
12	WB243085	WRENCH BOLT	2	
13	SW14	SPRING WASHER	6	
14	WB142030	WRENCH BOLT	6	

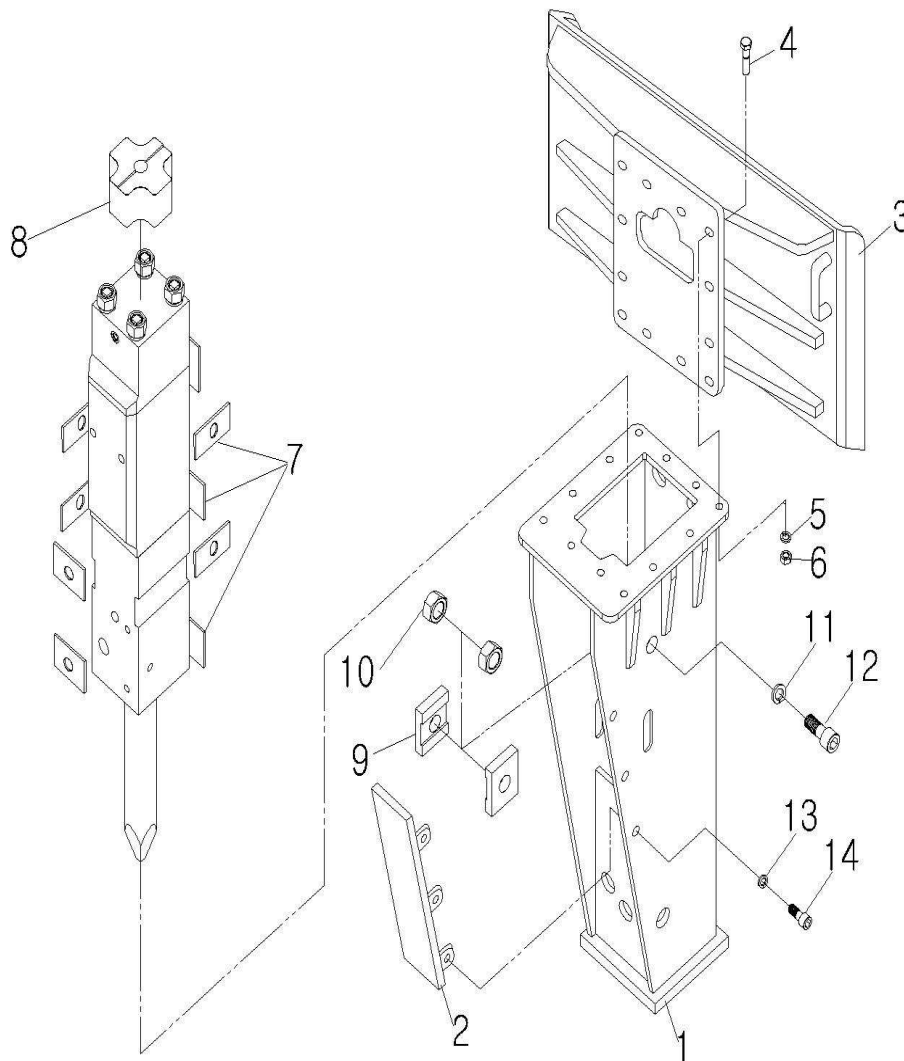
# SP750 MAIN BODY





NO	PART NO.	PART NAME	QTY	REMARKS
-	A40100	MAIN BODY	1	1~40
-	N40100	SEAL KIT	1	
-	A40110	CYLINDER ASSY	1	1~23
1	B40110	CYLINDER	1	
2	D40210	SOCKET PLUG	3	
3	1BP16	O-RING	3	
4	DSI70	DUST SEAL	1	
5	ISI70	U-PACKING	1	
6	HBY70	BUFFER SEAL	1	
7	D40580	KNOCK PIN	1	
8	D10110	IN/OUT ADAPTER	2	
9	1BP20	O-RING	2	
10	D10150	ADAPTER CAP	2	
11	D10230	AIR CHECK VALVE	1	
12	1BP18	O-RING	2	
13	B40120	PISTON	1	
-	A40130	SEAL RETAINER ASSY	1	14~18
14	B40130	SEAL RETAINER	1	
15	GAS68	GAS SEAL	1	
16	STP68	STEP SEAL	2	
17	568336	O-RING	2	
18	568239	O-RING	3	
-	A40300	VALVE ASSY	1	19~23
19	B40340	VALVE	1	
20	B40350	VALVE PLUG	1	
21	1BG40	O-RING	1	
22	1BG30	O-RING	1	
23	B40360	VALVE SLEEVE	1	
24	B40610	BACK HEAD	1	
-	D10640	GAS CHARGING VALVE ASSY	1	12,25~27
25	D10641	GAS CHARGING VALVE	1	
26	D10642	GAS CHARGING VALVE PLUG	1	
27	1BP16	O-RING	1	
-	A40500	FRONT HEAD ASSY	1	28~36
28	B40510	FRONT HEAD	1	
29	C40530	LOWER BUSH	1	
30	C40560	BUSH PIN	2	
31	SP1640	SPRING PIN	2	
32	C40520	UPPER BUSH	1	
33	C40540	CHISEL PIN	1	
34	SP1680	SPRING PIN	1	
35	D10590	GREASE NIPPLE	1	
36	WP1/4"	WRENCH PLUG	1	
37	1BP11	O-RING	1	
-	A40700	THROUGH BOLT ASSY	4	38~40
38	C40710	THROUGH BOLT	4	
39	C40720	THROUGH BOLT TOP NUT	4	
40	C40730	THROUGH BOLT WASHER	4	
41	K40100	H-WEDGE CHISEL	1	
42	K40200	MOIL POINT	1	
43	K40300	V-WEDGE CHISEL	1	
44	K40500	BLUNT CHISEL	1	
45	K40600	CONE CHISEL	1	

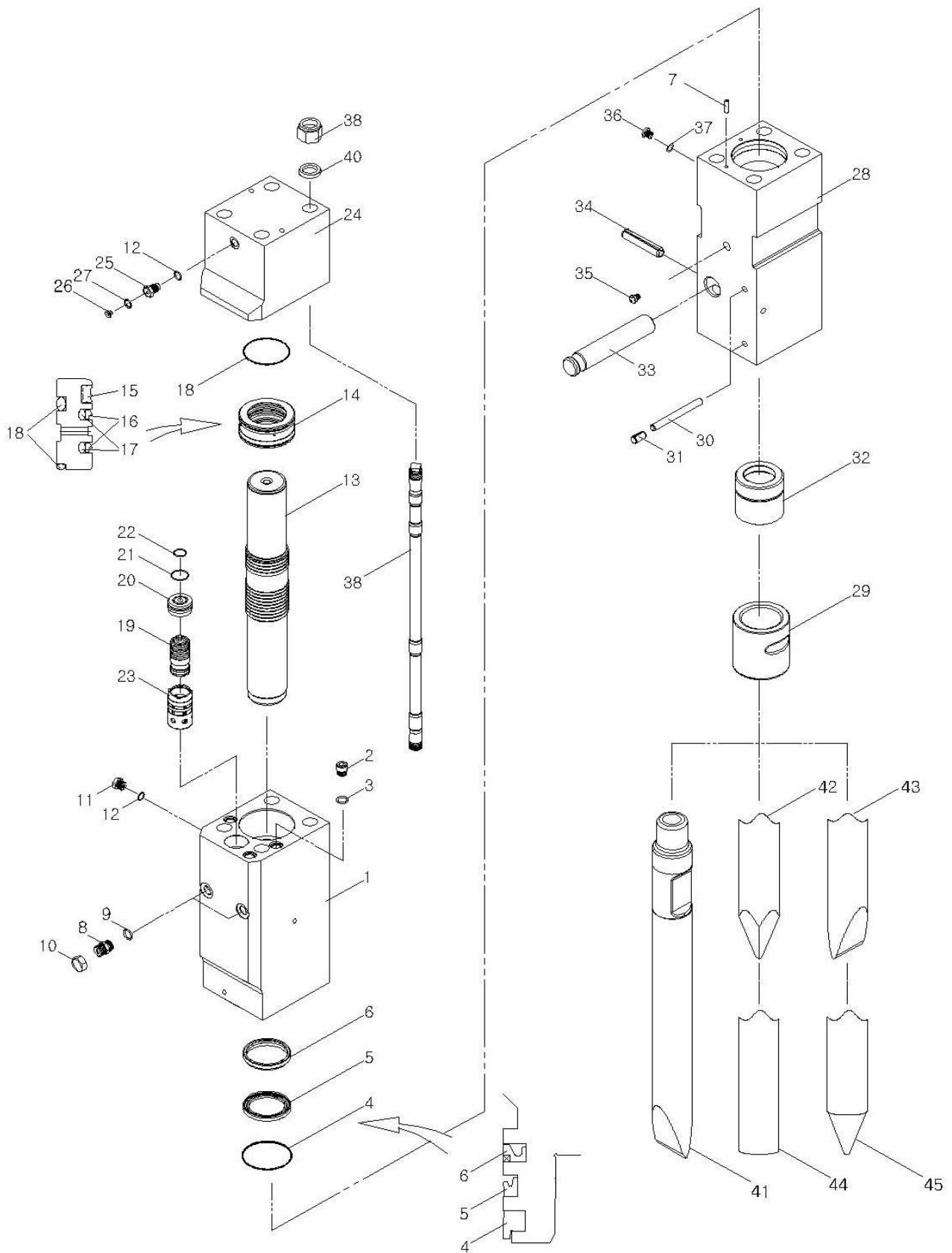
# SP750 SKID BRACKET



NO	PART NO.	PART NAME	QTY	REMARKS
-	F40600	SKID BOX BRACKET ASSY	1	1~3,9
1	F40610	BOX BRACKET	1	
2	F40620	COVER PLATE	1	
3	A0143010	SKID TOP MOUNT	1	
4	HB202580	HEX BOLT	12	
5	SW20	SPRING WASHER	12	
6	NN2025	NYLON NUT	12	
7	A0143030	PAD	9	
8	A0103040	UPPER DAMPER	1	
9	F40650	GUIDE PLATE	2	
10	HN2430	HEX NUT	2	
11	SW24	SPRING WASHER	2	
12	WB243085	WRENCH BOLT	2	
13	SW14	SPRING WASHER	6	
14	WB142030	WRENCH BOLT	6	

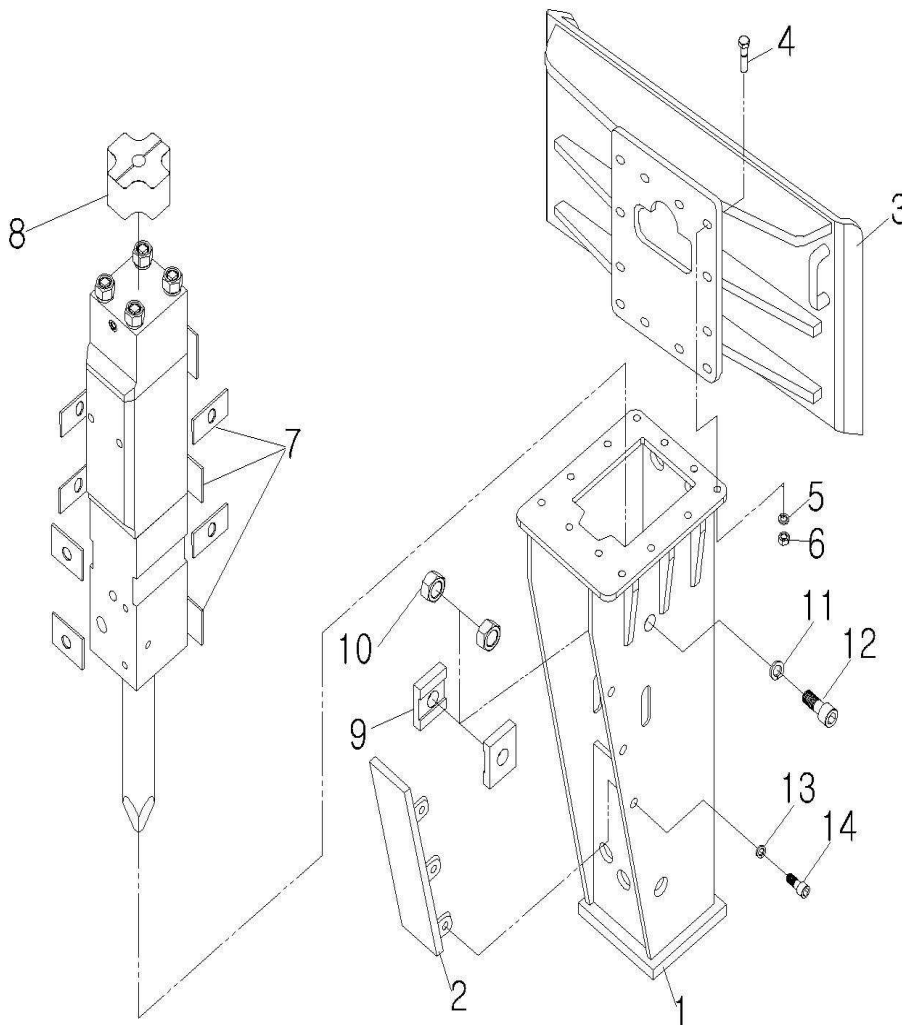


# SP1000 MAIN BODY



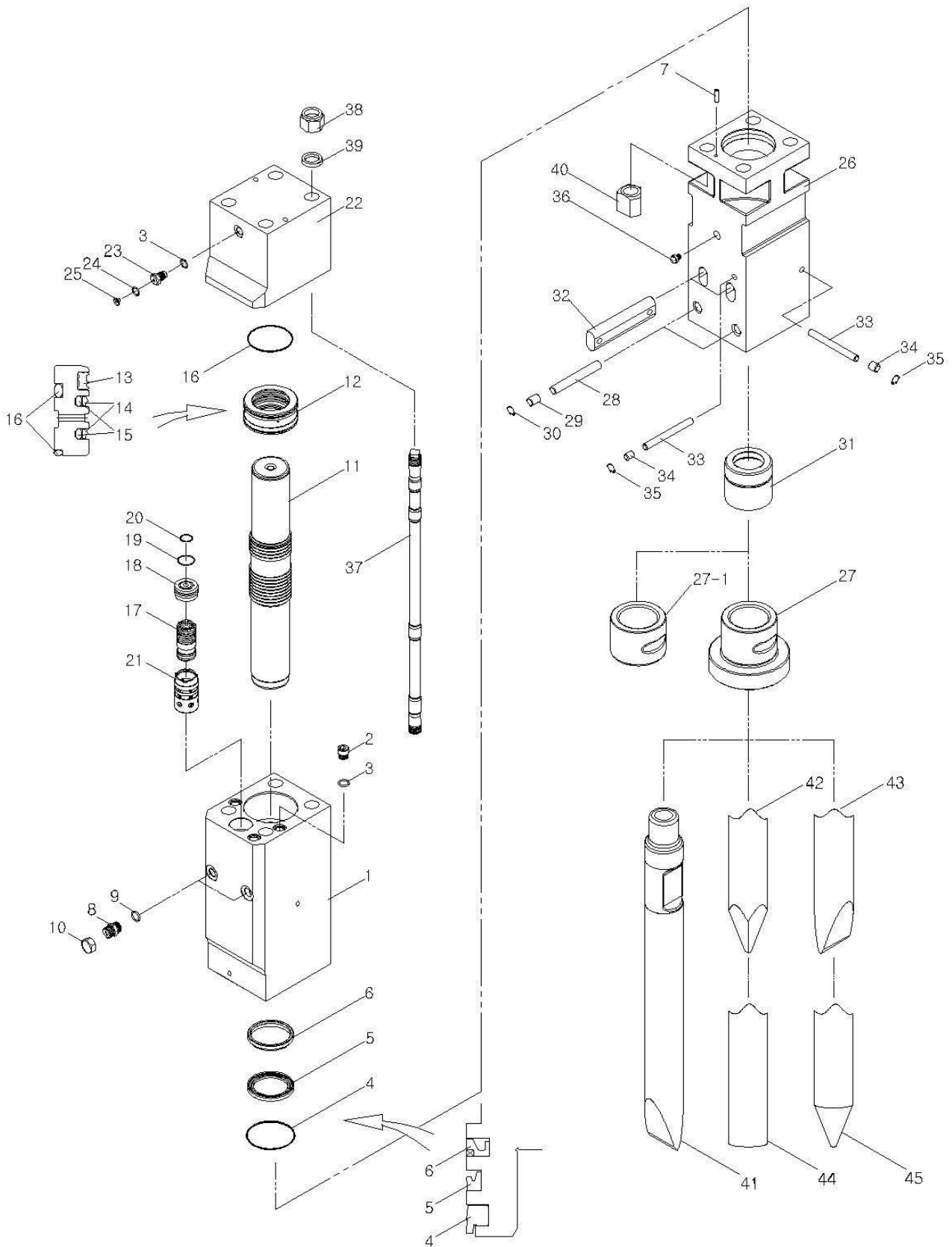
NO	PART NO.	PART NAME	QTY	REMARKS
-	A43100	MAIN BODY	1	1~40
-	N43100	SEAL KIT	1	
-	A43110	CYLINDER ASSY	1	1~22
1	B43110	CYLINDER	1	
2	D40210	SOCKET PLUG	3	
3	1BP16	O-RING	3	
4	DSI75	DUST SEAL	1	
5	ISI75	U-PACKING	1	
6	HBY75	BUFFER SEAL	1	
7	D40580	KNOCK PIN	1	
8	D10110	IN/OUT ADAPTER	2	
9	1BP20	O-RING	2	
10	D10150	ADAPTER CAP	2	
11	D10230	AIR CHECK VALVE	1	
12	1BP18	O-RING	2	
13	B43120	PISTON	1	
-	A43130	SEAL RETAINER ASSY	1	13~17
14	B43130	SEAL RETAINER	1	
15	GAS73	GAS SEAL	1	
16	STP73	STEP SEAL	2	
17	568338	O-RING	2	
18	1BG100	O-RING	3	
-	A43300	VALVE ASSY	1	18~22
19	B43340	VALVE	1	
20	B43350	VALVE PLUG	1	
21	1BG40	O-RING	1	
22	1BG25	O-RING	1	
23	B43360	VALVE SLEEVE	1	
24	B43610	BACK HEAD	1	
-	D10640	GAS CHARGING VALVE ASSY	1	12,25~27
25	D10641	GAS CHARGING VALVE	1	
26	D10642	GAS CHARGING VALVE PLUG	1	
27	1BP16	O-RING	1	
-	A43500	FRONT HEAD ASSY	1	28~37
28	B43510	FRONT HEAD	1	
29	C43530	LOWER BUSH	1	
30	C40560	BUSH PIN	2	
31	SP1640	SPRING PIN	2	
32	C43520	UPPER BUSH	1	
33	C43540	CHISEL PIN	1	
34	SP1680	SPRING PIN	1	
35	D10590	GREASE NIPPLE	1	
36	WP1/4"	WRENCH PLUG	1	
37	1BP11	O-RING	1	
-	A43700	THROUGH BOLT ASSY	4	38~40
38	C43710	THROUGH BOLT	4	
39	C43720	THROUGH BOLT TOP NUT	4	
40	C43730	THROUGH BOLT WASHER	4	
41	K43100	H-WEDGE CHISEL	1	
42	K43200	MOIL POINT	1	
43	K43300	V-WEDGE CHISEL	1	
44	K43500	BLUNT CHISEL	1	
45	K43600	CONE CHISEL	1	

# SP1000 SKID BRACKET



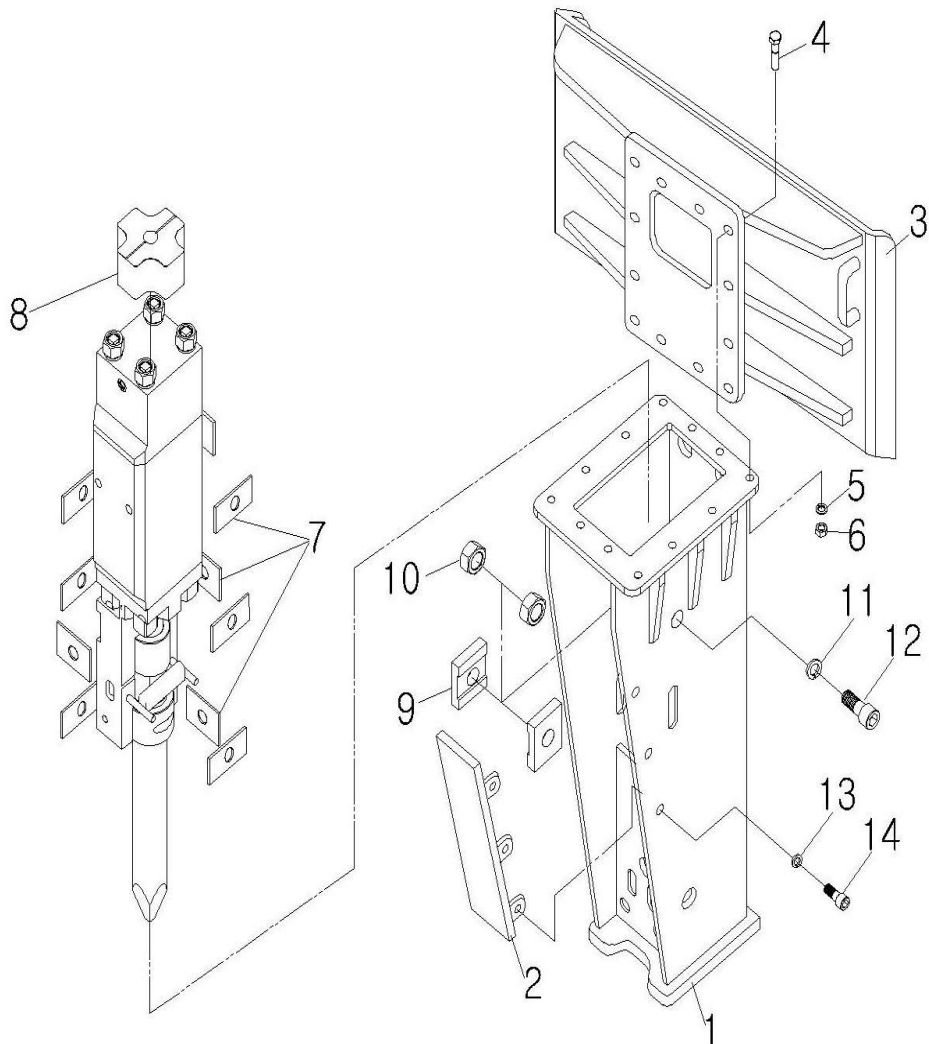
NO	PART NO.	PART NAME	QTY	REMARKS
-	F43600	SKID BOX BRACKET ASSY	1	1~3,9
1	F43610	BOX BRACKET	1	
2	F43620	COVER PLATE	1	
3	A0143010	SKID TOP MOUNT	1	
4	HB202580	HEX BOLT	12	
5	SW20	SPRING WASHER	12	
6	NN2025	NYLON NUT	12	
7	A0143030	PAD	9	
8	A0103040	UPPER DAMPER	1	
9	F40650	GUIDE PLATE	2	
10	HN2430	HEX NUT	2	
11	SW24	SPRING WASHER	2	
12	WB243085	WRENCH BOLT	2	
13	SW14	SPRING WASHER	6	
14	WB142030	WRENCH BOLT	6	

# SP1200 MAIN BODY



NO	PART NO.	PART NAME	QTY	REMARKS
-	A45101	MAIN BODY (BOX)	1	1~26,27-,28~40
-	N45100	SEAL KIT	1	
-	A45110	CYLINDER ASSY	1	1~21
1	B45110	CYLINDER	1	
2	D45210	SOCKET PLUG	3	
3	1BP18	O-RING	4	
4	DSI85	DUST SEAL	1	
5	ISI85	U-PACKING	1	
6	HBY85	BUFFER SEAL	1	
7	D40510	KNOCK PIN	1	
8	D45110	IN/OUT ADAPTER	2	
9	1BP24	O-RING	2	
10	D45120	ADAPTER CAP	1	
11	B45120	PISTON	1	
-	A45130	SEAL RETAINER ASSY	1	12~16
12	B45130	SEAL RETAINER	1	
13	GAS83.5	GAS SEAL	1	
14	STP83.5	STEP SEAL	2	
15	568341	O-RING	2	
16	1BG115	O-RING	3	
-	A45300	VALVE ASSY	1	17~21
17	B45340	VALVE	1	
18	B45350	VALVE PLUG	1	
19	1BG45	O-RING	1	
20	1BG30	O-RING	1	
21	B45360	VALVE SLEEVE	1	
22	B45610	BACK HEAD	1	
-	D10640	GAS CHARGING VALVE ASSY	1	3,23~25
23	D10641	GAS CHARGING VALVE	1	
24	1BP16	O-RING	1	
25	D10642	GAS CHARGING VALVE PLUG	1	
-	A45510	FRONT HEAD ASSY (BOX)	1	26,27-1,28~36
26	B45510	FRONT HEAD	1	
27	C45530	LOWER BUSH (TOP)	1	
27-1	C45531	LOWER BUSH (BOX)	1	
28	C45560	BUSH PIN	2	
29	RP20	RUBBER PLUG	2	
30	SR21	SNAP RING	2	
31	C45520	UPPER BUSH	1	
32	C45540	CHISEL PIN	2	
33	C45550	STOP PIN	2	
34	RP18	RUBBER PLUG	2	
35	SR19	SNAP RING	2	
36	D10590	GREASE NIPPLE	1	
-	A45700	THROUGH BOLT ASSY	4	38~41
37	C45710	THROUGH BOLT	4	
38	C45720	THROUGH BOLT TOP NUT	4	
39	C45730	THROUGH BOLT WASHER	4	
40	C45740	THROUGH BOLT BOTTOM NUT	4	
41	K45100	H-WEDGE CHISEL	1	
42	K45200	MOIL POINT	1	
43	K45300	V-WEDGE CHISEL	1	
44	K45500	BLUNT CHISEL	1	
45	K45600	CONE CHISEL	1	

# SP1200 SKID BRACKET



NO	PART NO.	PART NAME	QTY	REMARKS
-	F45600	SKID BOX BRACKET ASSY	1	1~3,9
1	F45610	BOX BRACKET	1	
2	F45620	COVER PLATE	1	
3	F45630	SKID TOP MOUNT	1	
4	HB202580	HEX BOLT	12	
5	SW20	SPRING WASHER	12	
6	NN2025	NYLON NUT	12	
7	A0143030	PAD	9	
8	A0104040	UPPER DAMPER	1	
9	F45650	GUIDE PLATE	2	
10	HN3035	HEX NUT	2	
11	SW30	SPRING WASHER	2	
12	WB3035100	WRENCH BOLT	2	
13	SW14	SPRING WASHER	6	
14	WB142030	WRENCH BOLT	6	