



Skid Pro Attachments

807 McKay Ave S.
Alexandria, MN 56308

Phone: 877-378-4642

E-mail: sales@skidpro.com
skidpro.com

PARTS AND OPERATORS MANUAL

RA-48 to RA-84 Hydraulic Power Rake

RMS 48 Mini Skid Steer Mount Power Rake



Features

- All rotating points have bearings.
- Complete with hydraulic hoses and quick connectors.

Available Models

RMS48 Hydraulic Drive Mini Skid steer mount

RA-48 Hydraulic Drive Skid steer Mount

RA-60 Hydraulic Drive Skid steer Mount

RA-72 Hydraulic Drive Skid steer Mount

RA-84 Hydraulic Drive Skid steer Mount

INTRODUCTION

With your purchase of the Skid Pro Attachments Hydraulic Power Rake you have made the right choice for making your landscaping easy. Through its unique construction it requires minimal maintenance.

Before using your Power Rake read this manual carefully to familiarize yourself with this machine. Operating unfamiliar machines may lead to accidents.

This Operator's manual has been written to assist you in obtaining the best possible results from your Power Rake. Keep this Manual in a safe and dry place so you can always use it as a reference booklet whether it is for looking up parts or contact info. If any questions should remain, however, you can contact your local dealer who will gladly assist you.

A complete parts breakdown is available upon request from Skid Pro Attachments or you can download it from our website at skidpro.com

1.SAFETY PRECAUTIONS

Seat belt to drive and apply the park brake prior to leaving the seat. Also avoid sudden maneuvers and change of direction.

- **Comply with federal and local laws governing highway safety on public roads using the proper lights and a slow moving vehicle sign**
- **When in use, never stand within operating range of the Power Rake and never have someone or yourself go under a raised loader arm.**
- **Strictly operate the Power Rake From your skid steer or tractors driver's seat and make sure you have a good view on your job.**
- **Make sure the Power Rake can move freely and do not jam any hydraulic hoses.**
- ***WARNING!* The hydraulic circuit operates under high pressure, make sure that the hydraulic systems of both your Power Rake and Skid steer are depressurized before connecting any hoses between the two.**
- **Clearly label or tag the hydraulic fittings of the Power Rake and Skid steer to avoid incorrect connection, which may lead to invert functions such as raising and lowering**
- **Make sure that your hydraulic hoses do not get jammed during operation and never operate the Power Rake with a hydraulic hose that has been damaged, regularly check all hydraulic hoses and replace any worn or damaged ones immediately. When replacing hoses, use only replacements compliant to original technical specifications.**

- Take all possible precautions to avoid accidents when inspecting the skid steer and Power Rake for hydraulic leaks. (such as applying park brakes)
- Remember that liquids under pressure, and especially oil, can penetrate the skin and cause serious injury. Consult a doctor immediately to prevent infection in case of injury.
- Always park on a flat and solid surface for storage.

Safety Decals

- Ensure all safety decals are always on the Power Rake, safety inspection can not be completed with missing safety labels, in the event of missing safety decals, contact your nearest dealer or Skid Pro Attachments toll free 877-378-4642



4. MAINTENANCE

Minimal maintenance is required for the Skid Pro Attachments Power Rake, but the following requirements must be strictly followed.

- It is equipped with grease nipples that should be greased regularly.
- Tightness of bolts and nuts and the wear on all hydraulic components must be checked periodically. Any worn parts have to be replaced immediately.

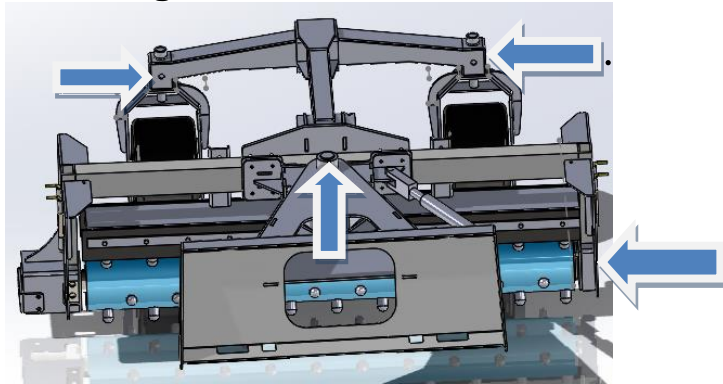
In case you have to replace a part, make sure that it is a genuine Wifo part which can be obtained through your dealer. (Visit our website to find a Dealer or contact Skid Pro Attachments Toll Free 877-378-4642)

A Complete Parts brake down is available upon request from Skid Pro Attachments or you can download it from our website at skidpro.com

Greasing and Maintenance

All pivot points and bearings on the power rake have grease able inserts. All below arrows indicate where the grease points are.

Sitting in the skid steer view



Front of power rake bottom

