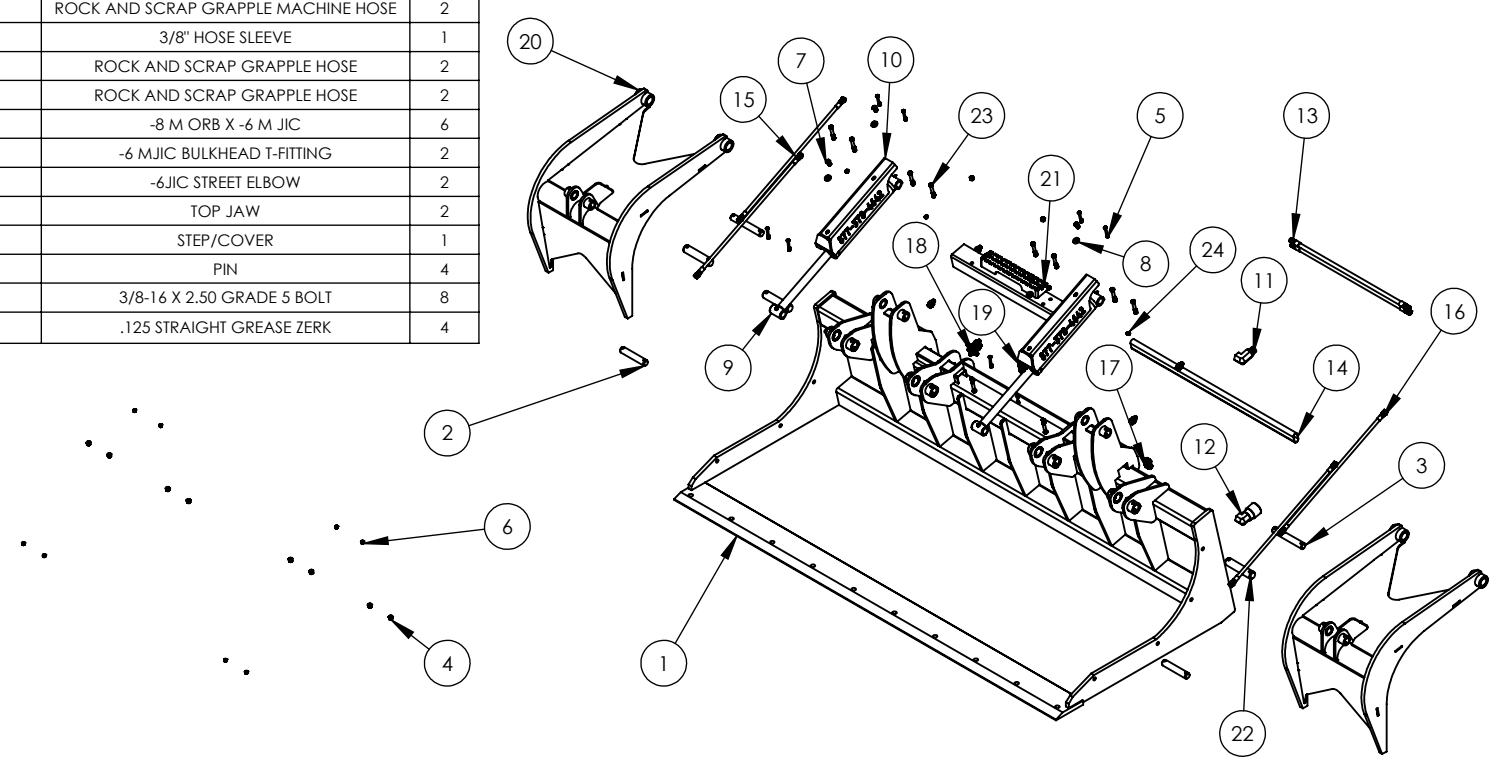
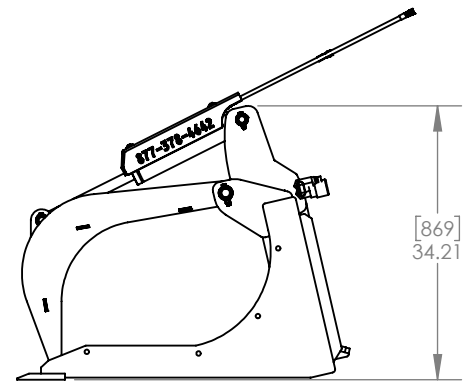
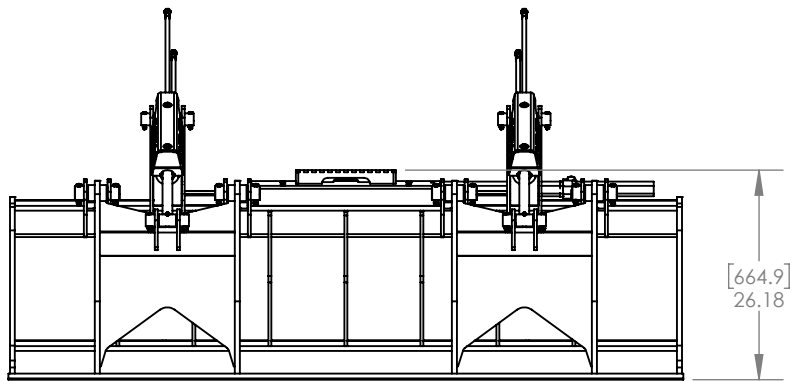
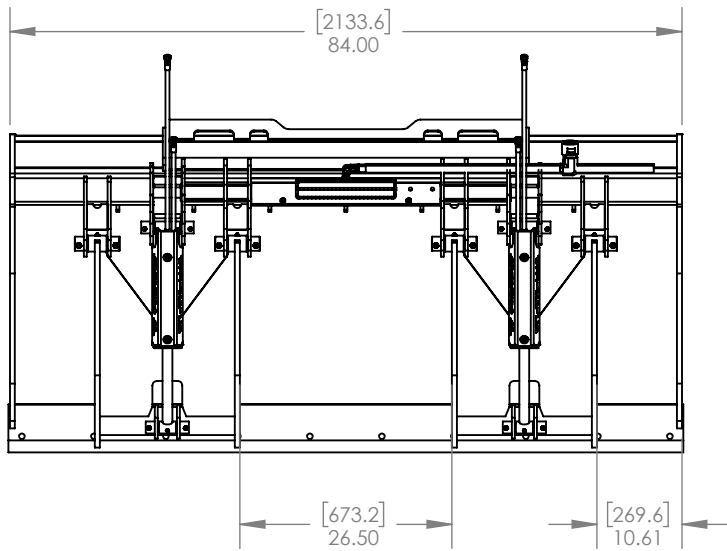


ITEM NO.	PART NUMBER	DESCRIPTION	QTY.
1	779-02-0001-84	84 GRAPPLE BUCKET BOTTOM	1
2	657-3-0032-72	PIN	2
3	778-03-0031	TOP PIN	2
4	HW-.375-16 NYL	3/8 - 16 NYLOCK NUT	10
5	HW-.25-20X2.0 G5	1/4 X 2.00 BOLT	8
6	HW-.25-20 NYL	1/4"-20 NYLOCK NUT	8
7	HW-.375-16X1.0BHS	3/8-16X1" BUTTON HEAD SCREW	4
8	HW-.375 USS FW	3/8" FLAT WASHER	4
9	657-02-0100	2.5 X 10 CYLINDER	2
10	657-3-0200	CYLINDER COVER	2
11	AU-03-9990-8ORB90	90° MALE FLAT FACE COUPLER	1
12	AU-03-9991-8ORB90	90° FEMALE FLAT FACE COUPLER	1
13	778-03-25001	ROCK AND SCRAP GRAPPLE MACHINE HOSE	2
14	HSL-375	3/8" HOSE SLEEVE	1
15	778-03-25002	ROCK AND SCRAP GRAPPLE HOSE	2
16	778-03-25003	ROCK AND SCRAP GRAPPLE HOSE	2
17	H375-FT21-6-8	-8 M ORB X -6 M JIC	6
18	H250-FT6JIC-T	-6 MJIC BULKHEAD T-FITTING	2
19	H250-FT6JIC-SE	-6JIC STREET ELBOW	2
20	778-02-0002	TOP JAW	2
21	778-02-0003	STEP/COVER	1
22	778-03-0033	PIN	4
23	HW-.375-16X2.5 G5	3/8-16 X 2.50 GRADE 5 BOLT	8
24	HW-.125-NPTS GF	.125 STRAIGHT GREASE ZERK	4





PROPRIETARY AND CONFIDENTIAL

THE INFORMATION CONTAINED IN THIS DRAWING IS THE SOLE PROPERTY OF ACCESSORIES UNLIMITED, LLC. ANY REPRODUCTION IN PART OR AS A WHOLE WITHOUT THE WRITTEN PERMISSION OF ACCESSORIES UNLIMITED, LLC. IS PROHIBITED.

INTERPRET GEOMETRIC TOLERANCING PER:

MATERIAL

MATERIAL <NOT SPECIFIED>

FINISH

DO NOT SCALE DRAWING

	NAME	DATE
DRAWN	DS	7/21/2021
CHECKED	BK	3/7/2024
THIRD ANGLE PROJECTION		
UNLESS OTHERWISE SPECIFIED:		
DIMENSIONS ARE IN INCHES		
TOLERANCES:		
FRACTIONAL ±1/8		
ANGULAR: MACH ± 2 BEND ± 2		
TWO PLACE DECIMAL ±.01		
THREE PLACE DECIMAL ±.005		



TITLE:		
84" SCRAP GRAPPLE		
SIZE	DWG. NO.	REV
A	779-01-0001-84	3.0
SCALE: 1:24	WEIGHT: 0.00	SHEET 2 OF 2