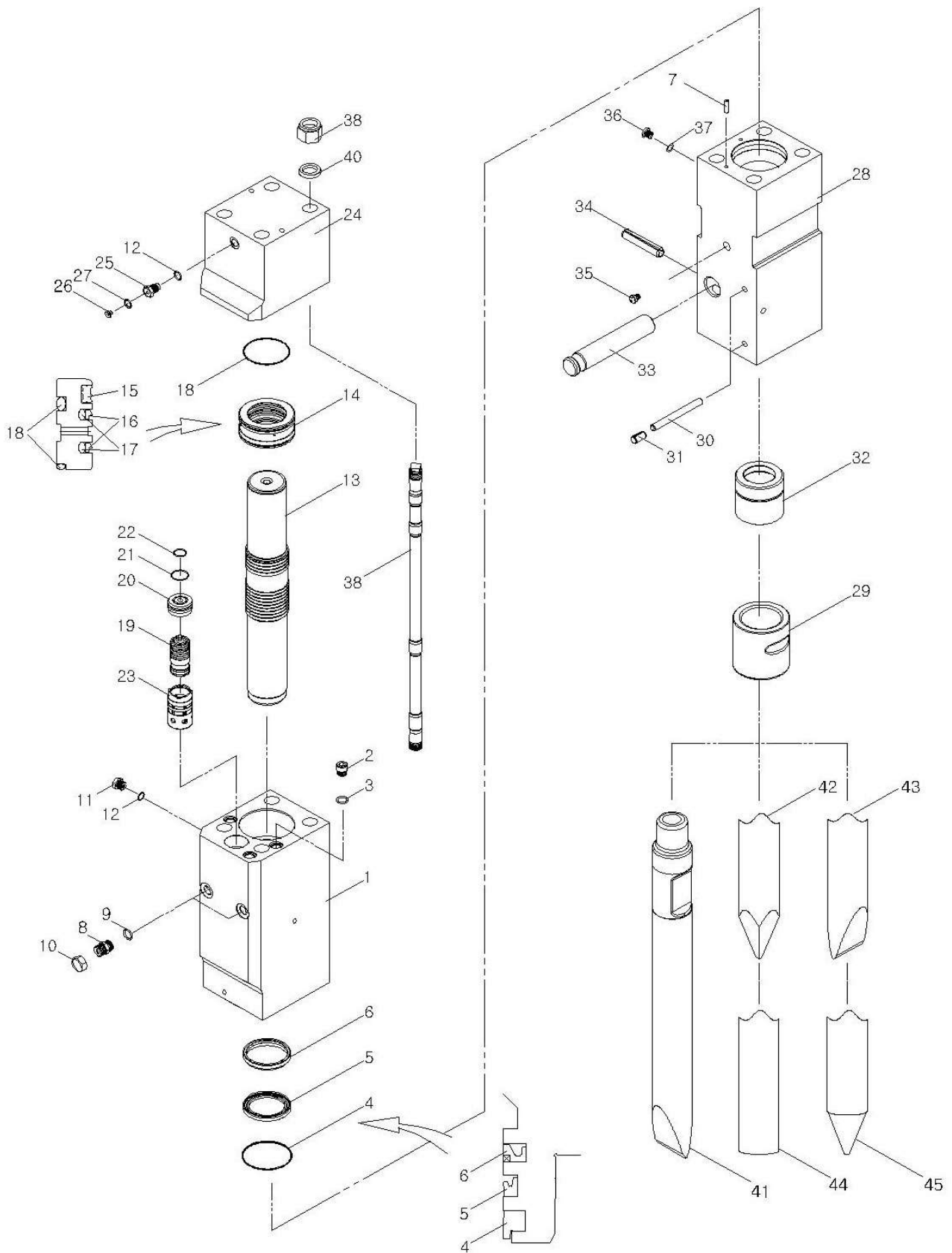
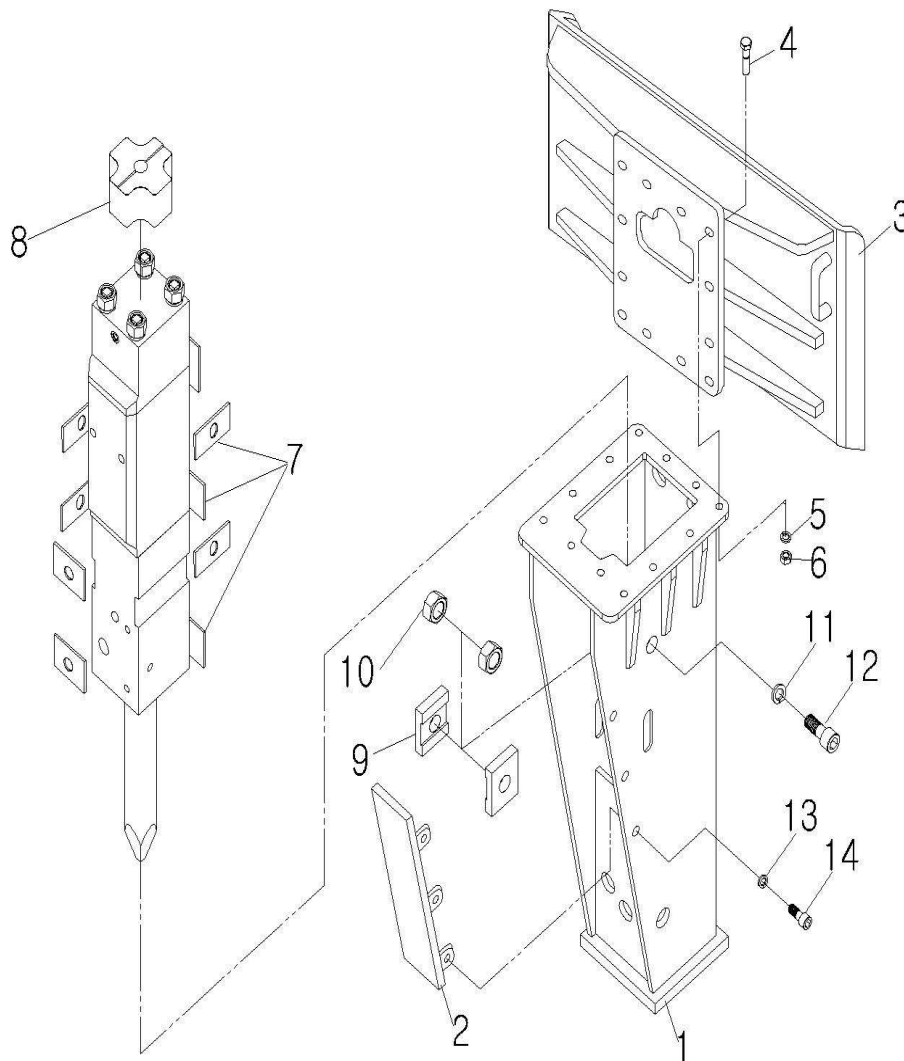


SP750 MAIN BODY



NO	PART NO.	PART NAME	QTY	REMARKS
-	A40100	MAIN BODY	1	1~40
-	N40100	SEAL KIT	1	
-	A40110	CYLINDER ASSY	1	1~23
1	B40110	CYLINDER	1	
2	D40210	SOCKET PLUG	3	
3	1BP16	O-RING	3	
4	DSI70	DUST SEAL	1	
5	ISI70	U-PACKING	1	
6	HBY70	BUFFER SEAL	1	
7	D40580	KNOCK PIN	1	
8	D10110	IN/OUT ADAPTER	2	
9	1BP20	O-RING	2	
10	D10150	ADAPTER CAP	2	
11	D10230	AIR CHECK VALVE	1	
12	1BP18	O-RING	2	
13	B40120	PISTON	1	
-	A40130	SEAL RETAINER ASSY	1	14~18
14	B40130	SEAL RETAINER	1	
15	GAS68	GAS SEAL	1	
16	STP68	STEP SEAL	2	
17	568336	O-RING	2	
18	568239	O-RING	3	
-	A40300	VALVE ASSY	1	19~23
19	B40340	VALVE	1	
20	B40350	VALVE PLUG	1	
21	1BG40	O-RING	1	
22	1BG30	O-RING	1	
23	B40360	VALVE SLEEVE	1	
24	B40610	BACK HEAD	1	
-	D10640	GAS CHARGING VALVE ASSY	1	12,25~27
25	D10641	GAS CHARGING VALVE	1	
26	D10642	GAS CHARGING VALVE PLUG	1	
27	1BP16	O-RING	1	
-	A40500	FRONT HEAD ASSY	1	28~36
28	B40510	FRONT HEAD	1	
29	C40530	LOWER BUSH	1	
30	C40560	BUSH PIN	2	
31	SP1640	SPRING PIN	2	
32	C40520	UPPER BUSH	1	
33	C40540	CHISEL PIN	1	
34	SP1680	SPRING PIN	1	
35	D10590	GREASE NIPPLE	1	
36	WP1/4"	WRENCH PLUG	1	
37	1BP11	O-RING	1	
-	A40700	THROUGH BOLT ASSY	4	38~40
38	C40710	THROUGH BOLT	4	
39	C40720	THROUGH BOLT TOP NUT	4	
40	C40730	THROUGH BOLT WASHER	4	
41	K40100	H-WEDGE CHISEL	1	
42	K40200	MOIL POINT	1	
43	K40300	V-WEDGE CHISEL	1	
44	K40500	BLUNT CHISEL	1	
45	K40600	CONE CHISEL	1	

SP750 SKID BRACKET



NO	PART NO.	PART NAME	QTY	REMARKS
-	F40600	SKID BOX BRACKET ASSY	1	1~3,9
1	F40610	BOX BRACKET	1	
2	F40620	COVER PLATE	1	
3	A0143010	SKID TOP MOUNT	1	
4	HB202580	HEX BOLT	12	
5	SW20	SPRING WASHER	12	
6	NN2025	NYLON NUT	12	
7	A0143030	PAD	9	
8	A0103040	UPPER DAMPER	1	
9	F40650	GUIDE PLATE	2	
10	HN2430	HEX NUT	2	
11	SW24	SPRING WASHER	2	
12	WB243085	WRENCH BOLT	2	
13	SW16	SPRING WASHER	6	
14	WB161530	WRENCH BOLT	6	