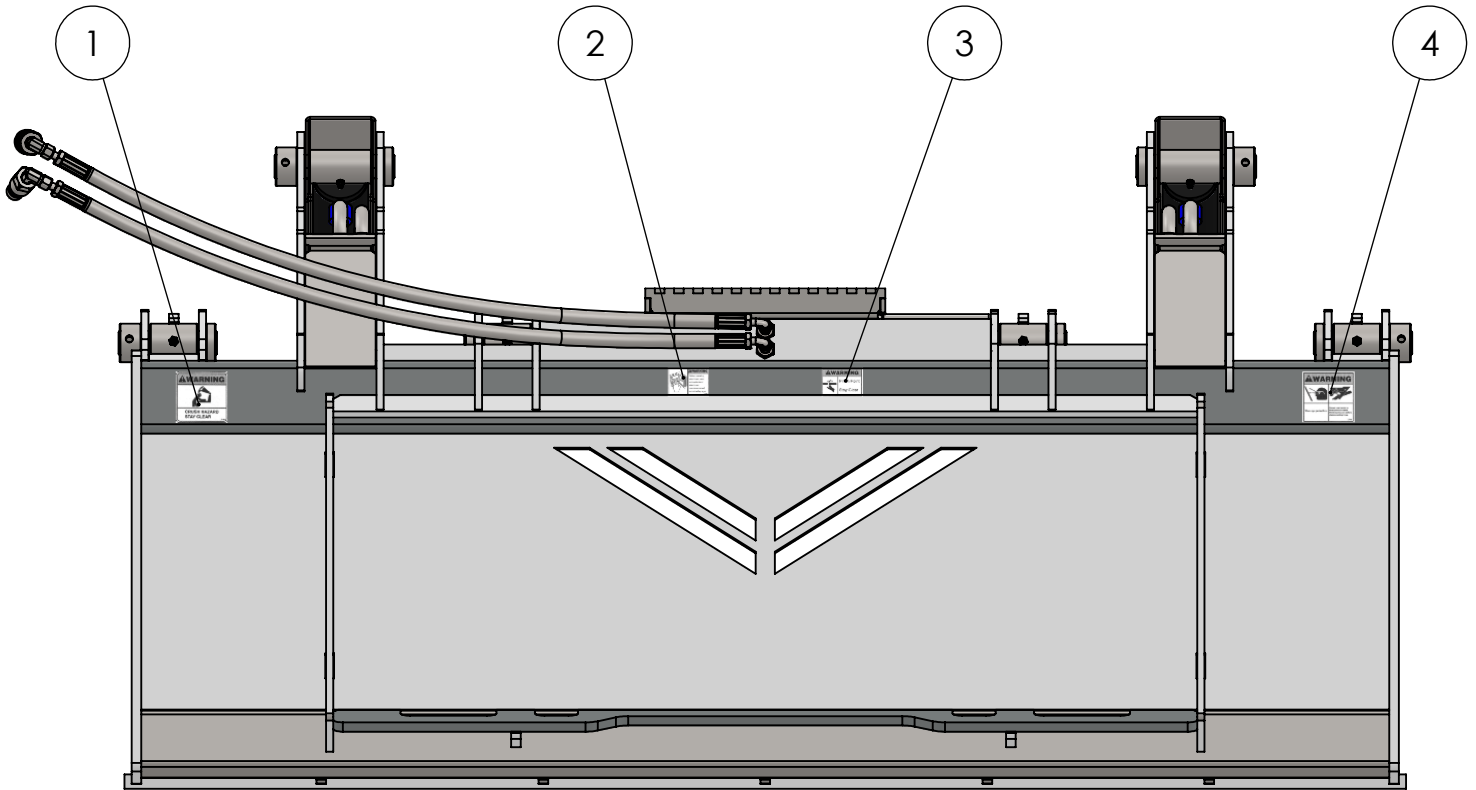
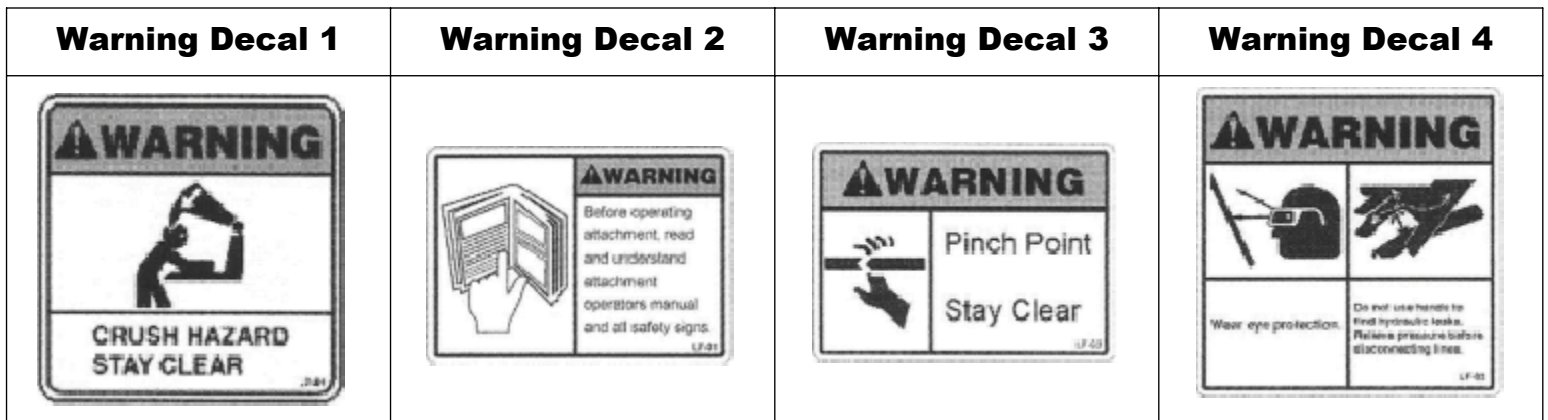


# Scrap Bucket Grapple Warning Decal Placement



## ScrapBucket Grapple - Rear View

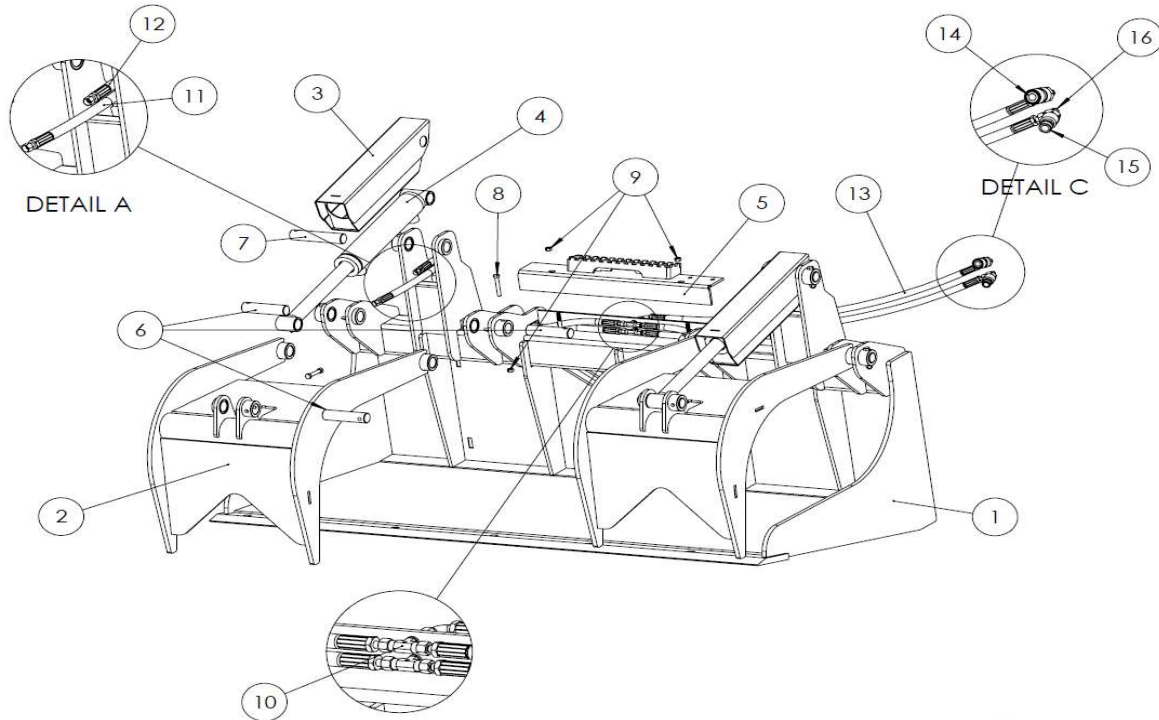
#	Part Name	Description	Size	Part No.	Qty.
1	SBG Warning Decal	Warning Crush Hazard Stay Clear	3.5" x 3.5"	LF-01	1
2	SBG Warning Decal	Warning Before Operating Read Manual	2.5" x 3.5"	LF-02	1
3	SBG Warning Decal	Warning Pinch Point Stay Clear	2.5" x 3.5"	LF-03	1
4	SBG Warning Decal	Warning Wear eye Protection, Relieve Hyd. Pressure	3.5" x 3.5"	LF-04	1



# GRAPPLE BUCKET PARTS

## Introduction

The manufacturer reserves the right to change, modify, or eliminate from time to time, for technical or other reasons, certain or all data, specifications, or the product or products themselves, without any liability or obligation.



Item No.	Part Number	Description	Qty.
1	SPSBG66-FA	Base Frame Assembly	1
2	SPG-GA	Grapple Assembly	2
3	SPG-CA	Cylinder Cover Assembly	2
4	SPG-CYL	Hyd. Cylinder (HBU2510-ORB)	2
5	SPSBG-SA	Step Assembly	1
6	SPG-001	Front Cylinder pin+Grapple Mount Pins (1.25" X 5.125")	6
7	SPG-001-B	Rear Cylinder Pin	2
8	HBOLT 0.3750-16x2.5x1-S	3/8" X 2.5" Hex Bolt	8
9	HNUT 0.3750-16-D-S	3/8" Hex Nut	10
10	2703-06 JIC Bulkhead Tee	Bulkhead Branch Tee	2
11	SPG-HA-002	Long Cylinder Hose	1
12	SPG-HA-003	Short Cylinder Hose	1
13	SPG-HA-003	Connection Hose	2
14	HF1.25-SSFFC-F	Flat Face Hydraulic Quick Connect Coupler- (Female)	1
15	HF1.25-SSFFC-M	Flat Face Hydraulic Quick Connect Coupler- (Male)	1
16	HF90	90 Hyd. Elbow	2