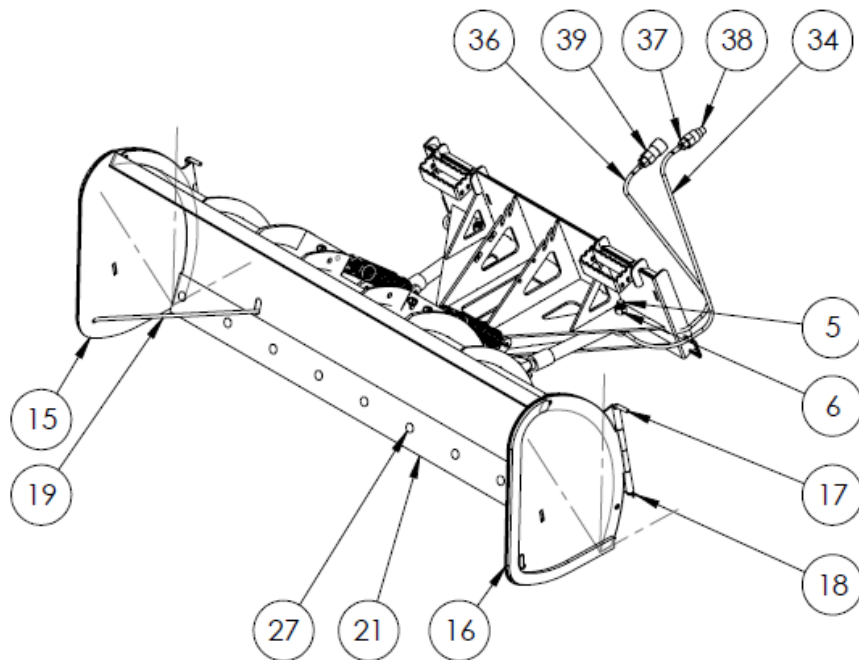
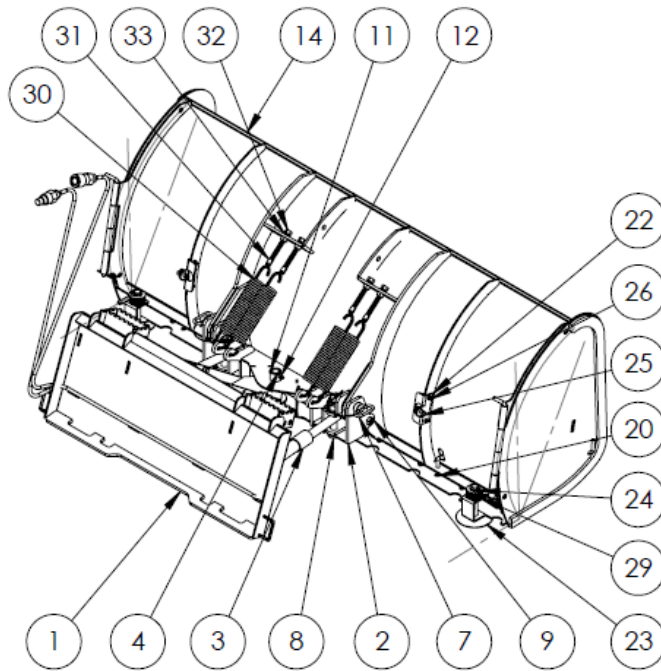


Snow Blade Assembly – Detailed Parts Diagram A



Snow Blade Assembly - Parts List A

ITEM NO.	PART NUMBER	DESCRIPTION	QTY.
1	670-2-0003	QT Assembly	1
2	670-2-0002	Blade Pivot Assembly	1
3	670-2-0004	Angle Cylinder	2
4	670-3-0041	Pivot pin	1
5	HW-1-8X5.50 G8	1"-8 X 5 1/2" Grade 8 Bolt	2
6	HW-1-8 NYL	1"-8 Nylock Nut	4
7	670-3-0043	CLEVIS PIN	2
8	HW-1-8X6.0 G8	1"-8 X 6" Grade 8 Bolt	2
9	HW-.750-10X4.0 G8	3/4"-10 X 4" GRADE 8 BOLT	2
10	HW-.750-16 NYL G5	3/4"-16 Nylock Nut	2
11	HW-.375-16X2.5 G5	3/8-16 X 2.50 Grade 5 Bolt	2
12	HW-.375-16 NYL	3/8 - 16 Nylock Nut	6
13	HW-.125-45 DEG GF	.125" 45° Angle Grease Zerk	1
14	670-2-0001-WIDTH	Blade Assembly	1
15	670-2-0007	Wing RH	1
16	670-2-0006	Wing L.H	1
17	670-3-0038	Wing Pivot	2
18	HW-.177X3.25 BP	Hairpin Cotter Pin	2
19	670-3-0037	Wing Rod	2
20	670-3-0047	Cotter pin	2
21	670-3-0002-WIDTH	No Bevel Bolt On Cut Edge	1
22	670-3-0055-1	WING RETAINER	2
23	670-2-0005	SKID SHOE	2
24	670-3-0042	Keeper	2
25	AU-03-41067	7/16" Retaining Pin	2
26	HDW-.375-16X1.5HHB5	3/8"-16 X 1 1/4" GRADE 5 BOLT	4
27	HW-.625-11X2.0 CB	5/8"-11 X 2" CARRIAGE BOLT	10
28	HW-.625-11 NYL	5/8"-11 NYLOCK NUT	10
29	HW-1 USS FW	1" Flat Washer	14
30	AU-03-1607	Trip Spring	4
31	670-3-0039	Spring Bolt	4
32	HW-.625-11 HN	5/8"-11 NUT	8
33	HW-.625 LW	5/8" LOCK WASHER	4
34	670-2-0012	LH HOSE 76"	1

35	H250-FT1004	Inline restrictor	2
36	670-2-0013	RH HOSE 114"	1
37	H250-FT1612	-12 MALE ORB X 1/4" FEMALE ADAPTER	2
38	AU-03-9991-12-12	Male Quick Coupler	1
39	AU-03-9990-12-12	Female Quick Coupler	1

Snow Blade Hose Assembly - Parts List B

PART NUMBER	DESCRIPTION	QTY.
612-3-0070	Female Quick Coupler	1
612-3-0071	Male Quick Coupler	1
H250-FT1612	Adapter Fitting	2
670-2-0012	Right Cylinder hose 1/4" X 112"	1
670-2-0013	Left Cylinder hose 1/4" X 74"	1
H250-FT1004	Inline Restrictor	1
HSL250	66" of Hose Sleeve (5.5 feet)	1