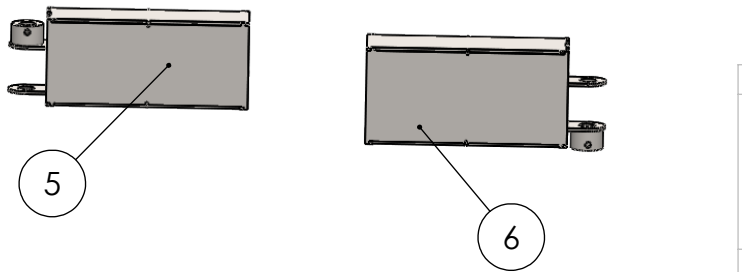
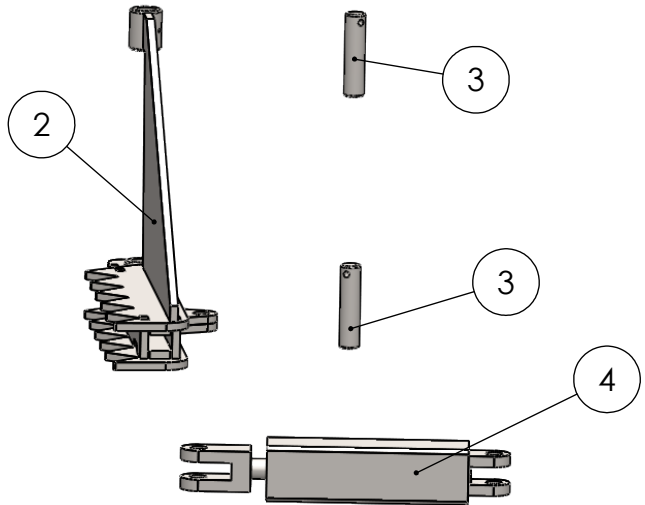


ITEM NO.	PART	Part Number	QTY.
1	Frame Asm	04101-12	1
2	Arm Asm	04101-02 OS	1
3	Arm Pin	04101-03	2
4	2x8 Ag Cyl	04101-01 OS	1
5	Inner Cyl Box Asm	04101-05	1
6	Outer Cyl Box Asm	0410-07	1



UNLESS OTHERWISE SPECIFIED:

DIMENSIONS ARE IN INCHES
 TOLERANCES:
 FRACTIONAL ±
 ANGULAR: MACH ± BEND ±
 TWO PLACE DECIMAL ±
 THREE PLACE DECIMAL ±

INTERPRET GEOMETRIC
 TOLERANCING PER:

MATERIAL

FINISH

DO NOT SCALE DRAWING

	NAME	DATE
DRAWN		
CHECKED		
ENG APPR.		
MFG APPR.		
Q.A.		

COMMENTS:



TITLE:

Tree Puller
 Old Style

SIZE	DWG. NO.	REV
A		

SCALE: 1:16 WEIGHT: SHEET 4 OF 18