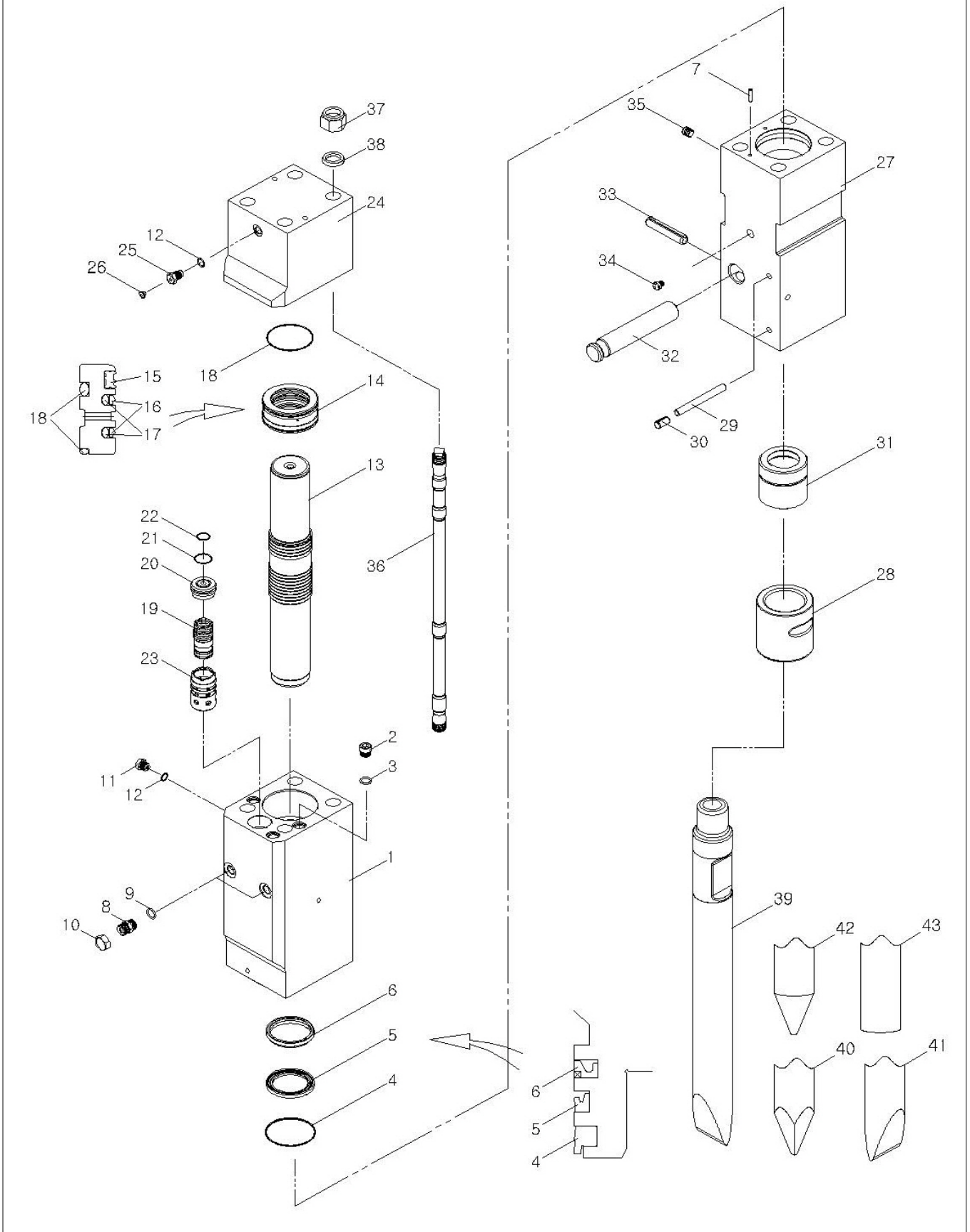


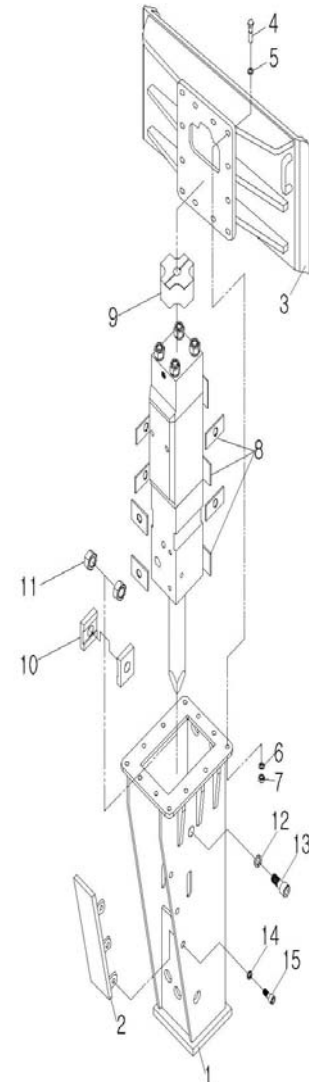
SP750 MAIN BODY



SP750 MAIN BODY

NO	PART NO	PART NAME	Q'TY
A	H350110A	MAIN BODY ASSY (C,L,N,P)	
B	H350110B	SEAL KIT	
C	H350110C	CYLINDER ASSY (1~23)	
1	H3501102	CYLINDER	1
2	H3501135	SOCKET PLUG	3
3	1BP-16	O-RING	3
4	DSI-70	DUST SEAL	1
5	ISI-70	U-PACKING	1
6	HBV-70	BUFFER SEAL	1
7	H3501118	KNOCK PIN	1
8	H3501125	IN/OUT ADAPTER	2
9	1BP20	O-RING	2
10	H3501125-1	ADAPTER CAP	2
11	H1001127	AIR CHECK VALVE	1
12	1BP-18	O-RING	2
13	H3501104	PISTON	1
E	H350110E	SEAL RETAINER ASSY (14~18)	
14	H3501108	SEAL RETAINER	1
15	IKH-68	GAS SEAL	1
16	SPNS-68	STEP SEAL	2
17		O-RING	2
18	AS568-239A	O-RING	3
J	H350110J	VALVE SET (19~23)	
19	H3501106	VALVE	1
20	H3501107	VALVE PLUG	1
21	1BG-40	O-RING	1
22	1BG-30	O-RING	1
23	H3501105	VALVE SLEEVE	1
L	H350110L	BACK HEAD ASSY (24~26)	
24	H3501103	BACK HEAD	1
M	H100110M	CHARGING VALVE SET (12,25,26)	
25	H1001126	CHARGING VALVE	1
26	H1001126-1	CHARGING VALVE PLUG	1
N	H350110N	FRONT HEAD ASSY (27~35)	
27	H3501101	FRONT HEAD	1
28	H3501112	LOWER BUSH	1
29	H3501120	BUSH PIN	2
30	SP1640	SPRING PIN	2
31	H3501111	UPPER BUSH	1
32	H3501119	TOOL PIN	1
33	SP1680	SPRING PIN	1
34	H1001139	GREASE NIPPLE	1
35	HHP1214	HOLLOW HEX PLUG	1
P	H350110P	THROUGH BOLT SET (36~38)	
36	H3501114	THROUGH BOLT	4
37	H3501115	HEX NUT	4
38	H3501117	WASHER	4
39	H3501113	H-WEDGE CHISEL	1
40	H3501113-1	MOIL POINT	1
41	H3501113-2	V-WEDGE CHISEL	1
42	H3501113-3	CONE CHISEL	1
43	H3501113-4	BLUNT CHISEL	1

SP750 SKID BRACKET



NO	PART NO	PART NAME	Q'TY
V	H350-410V	BOX BRACKET ASSY	
1	H350-4101	FRAME	1
2	H350-4101-3	COVER PLATE	1
3	A0143010	SKID TOP PLATE	1
4	HB202580	HEX BOLT	12
5	FW20	FLAT WASHER	12
6	SW20	SPRING WASHER	12
7	NN2025	NYLON NUT	12
8	A0143030	PAD	9
9	A0103040	UPPER DAMPER	1
10	H350-6102	GUIDE PLATE	2
11	HN2430	HEX NUT	2
12	SW24	SPRING WASHER	2
13	WB243085	WRENCH BOLT	2
14	SW16	SPRING WASHER	6
15	WB161530	WRENCH BOLT	6