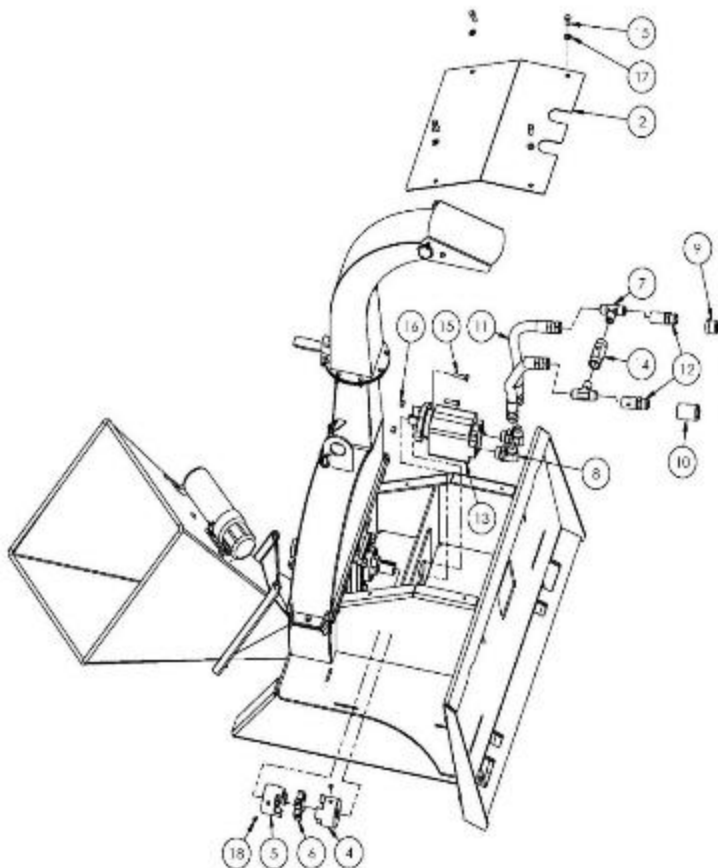


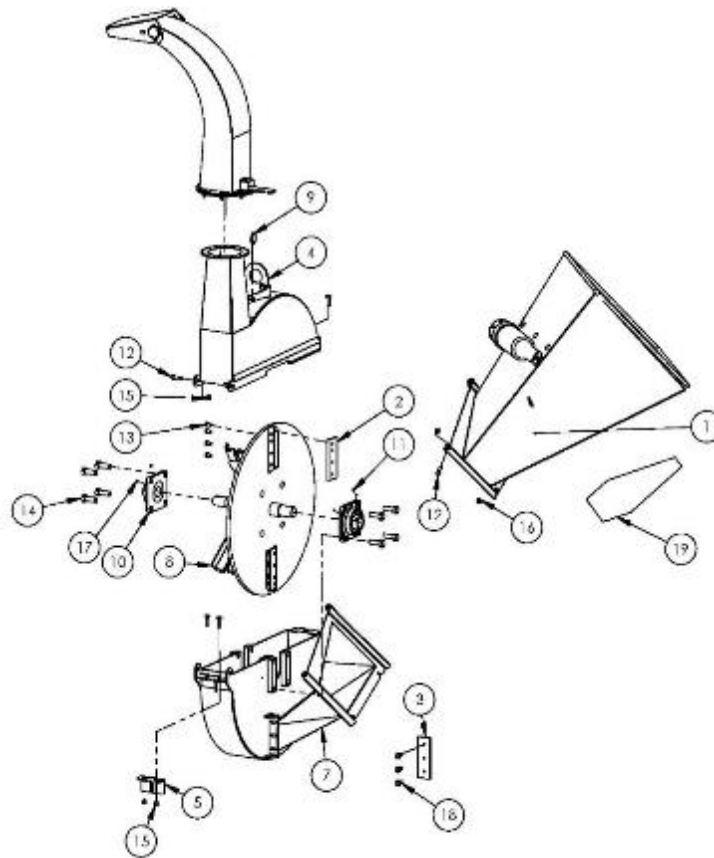
Wood Chipper Assembly – Detailed Parts Diagram A



Wood Chipper Assembly - Parts List A

ITEM	BXH42	DESCRIPTION	QTY.
1	1031A100	BX42 Housing and Rotor Assembly	1
2	1031L110	Guard, Top	1
3	1031W101	Main Frame	1
4	Z46401	"G" Hub x 1	1
5	Z46402	"G" Hub x 1-3/8	1
6	Z46403	"G" Spider	1
7	Z51481	Tee, MJIC x MJIC x MP 121212	2
8	Z51652	Elbow 90, MORB x MJIC 1612	2
9	Z51906	3/4MP x Male Flat-Face Coupler	1
10	Z51907	3/4NPT x Fem Flat-Face Coupler	1
11	Z52401	3/4 Hose, 3/4FJIC x 3/4NPT x 24"	2
12	Z52402	3/4 Hose #12FJICX x 3/4MP x 42"	2
13	Z54101	Central Hydraulic Motor	1
14	Z56101	Check Valve 3/4FNPT 5 PSI	1
15	Z71315	Hex Bolt 3/8NC x 1-1/2	6
16	Z72231	Hex Lock Nut 3/8NC	2
17	Z73130	Flat Washer 3/8	4
18	Z74130	Set Screw 3/8NC	2

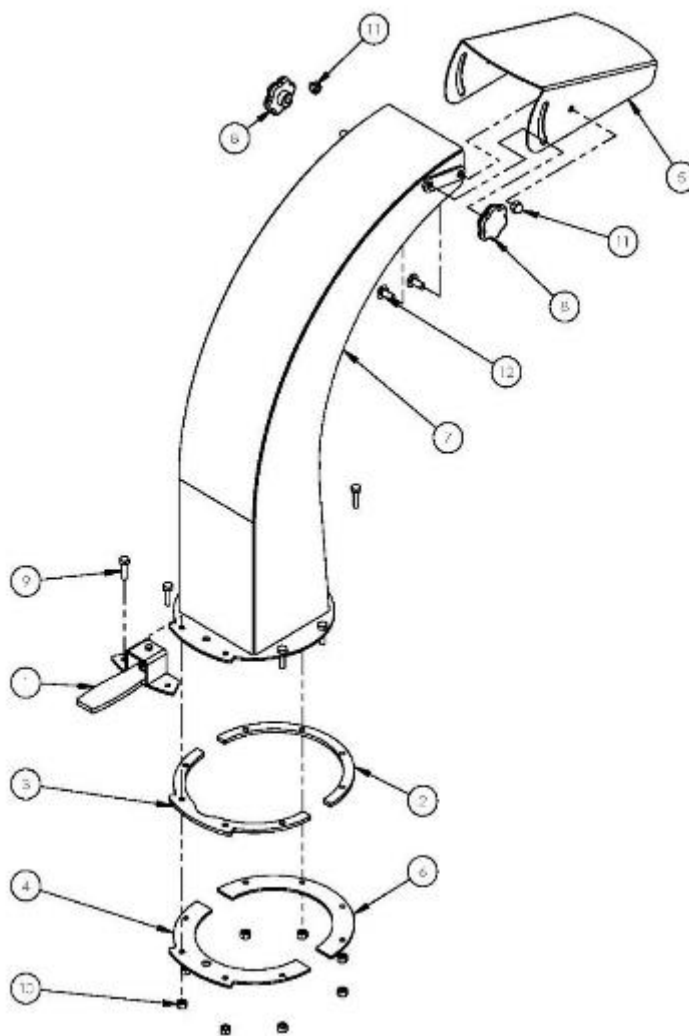
Wood Chipper Rotor – Detailed Parts Diagram B



Wood Chipper Rotor - Parts List B

ITEM	PART NO.	DESCRIPTION	QTY
1	1011A102	Self-Feed Hopper	1
2	1011M103	Knife, 4" Rotor	2
3	1011M104	Knife, 4" Ledger	1
4	1011W102	Housing, Upper Rotor	1
5	1011W104	Twig Breaker	1
7	1031W102	Housing, Bottom Rotor	1
8	1031W393	BXH42 Rotor, 2-Knife	1
9	Z12110	Latch Pin 3/16	1
10	Z25204	4-Bolt Bearing 1-1/2" Bore	2
11	Z29202	Grease Zerk 1/4NF	2
12	Z71512	Hex Bolt 1/2NC x 1-1/4	7
13	Z71372G8	Hex Bolt, 3/8NF x 5/8 G8	8
14	Z71672G8	Hex Bolt, 5/8NF x 1-3/4 Gr8	8
15	Z72251	Hex Lock Nut 1/2NC	6
16	Z72531	Flange Nut 3/8NC	2
17	Z74122	Set Screw, 5/16NF	4
18	Z76132	Flange Head Bolt 3/8NF x 1 Gr8	3
19	Z94601	Decal, SMV	1

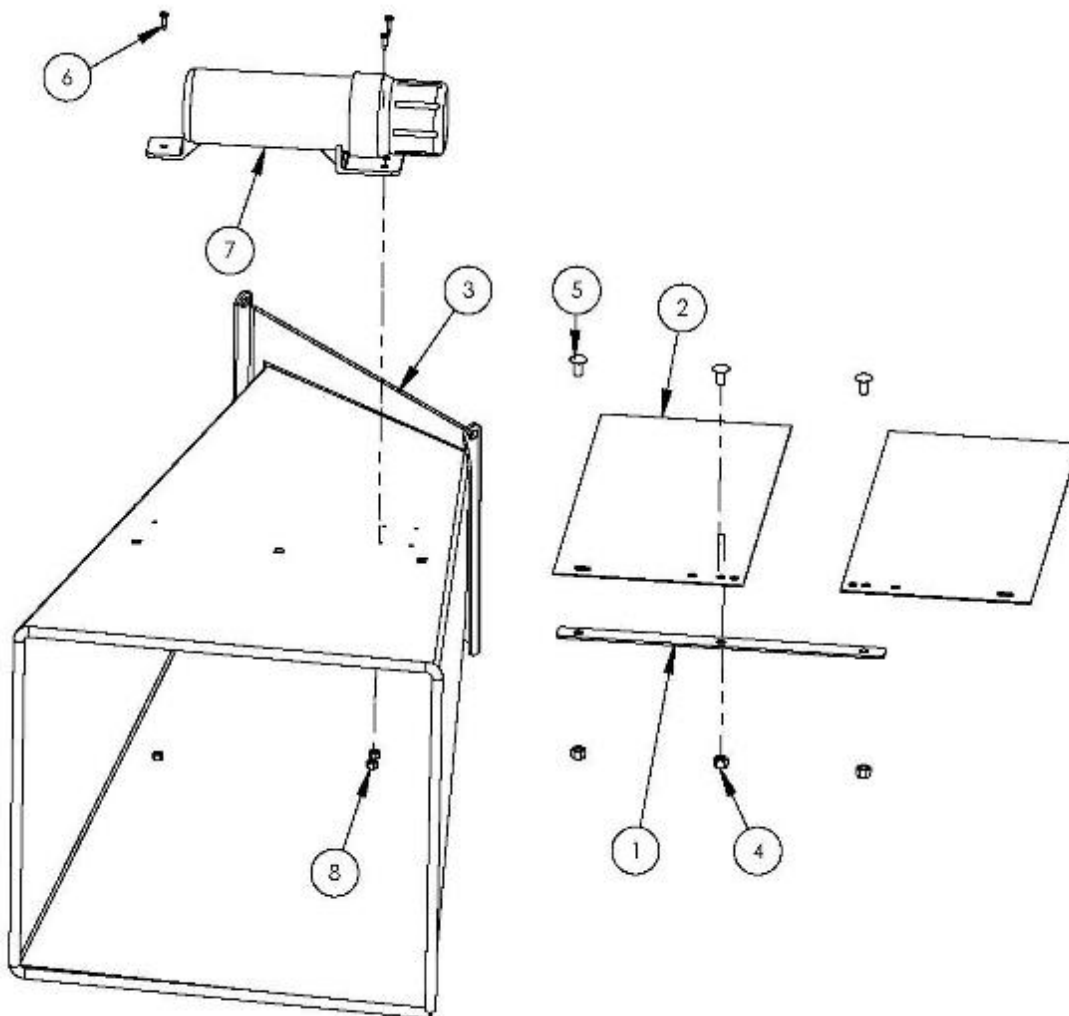
Wood Chipper Discharge Chute – Detailed Parts Diagram C



Wood Chipper Discharge Chute - Parts List C

ITEM	PART NO.	DESCRIPTION	QTY
1	1012W208	Assembly, Hood Latch	1
2	1016L027	Plate, Spacer Ring	1
3	1016L029	Plate, Spacer Ring	1
4	1016L030	Plate, Hood Capture	1
5	1016L033	Deflector, Discharge Chute	1
6	1016L034	Plate, Hood Capture	1
7	1016W007	Discharge Chute	1
8	Z19313	Knob, 5/16NC Female Stud	2
9	Z71110	Hex Bolt 1/4NC x 1	8
10	Z72111	Hex Lock Nut 1/4NC	8
11	Z72914	Acorn Nut, 5/16NC	2
12	Z76221	Carriage Bolt 5/16NC x 3/4	4

Wood Chipper Hopper – Detailed Parts Diagram D



Wood Chipper Hopper - Parts List D

ITEM	PART NO.	DESCRIPTION	QTY
1	1011L151	Strap, Hopper Flap	1
2	1011S103	Flap, Hopper	2
3	1011W107	Weldment, Infeed Hopper	1
4	Z72231	Hex Lock Nut 3/8NC	3
5	Z76233	Carriage Bolt 3/8NC x 3/4	3
6	Z78301	Machine Screw 1/4NC x 3/4	3
7	Z96503	Manual Tube 3-1/2 Short	1
8	Z72211	Hex Lock Nut, 1/4NC	3

