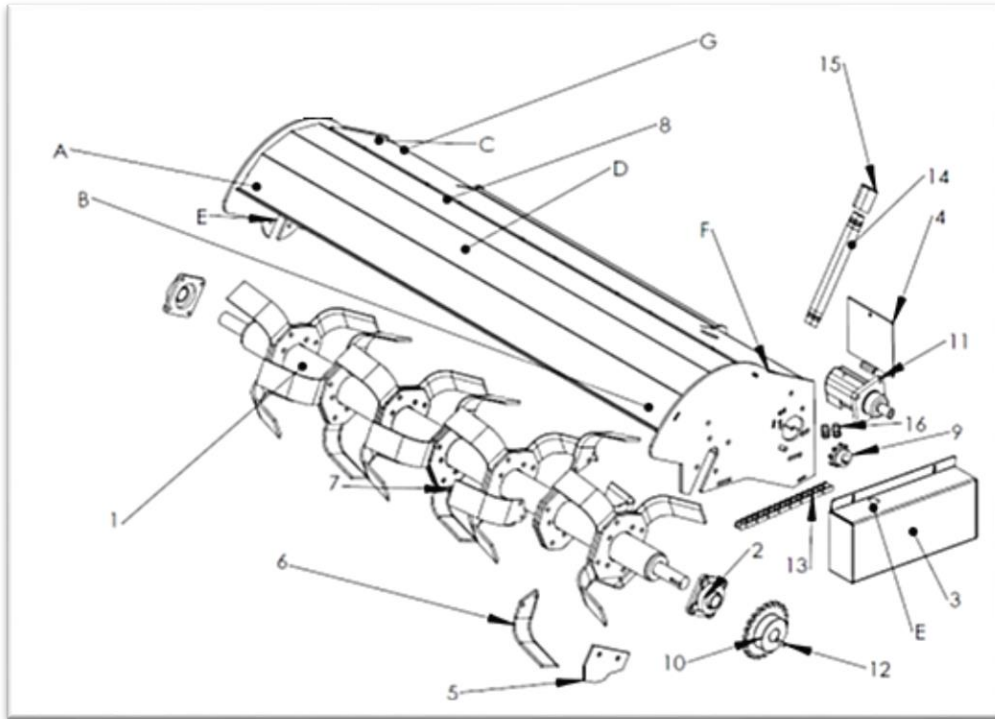


Tiller Parts and Assembly – Diagram and Parts List A



ITEM #	PART NUMBER	DESCRIPTION	QTY.
1	AU-02-1511-72	72" Tiller Shaft	1
1	AU-02-1511-78	78" Tiller Shaft	1
2	AU-03-1625	1.750 Flange Bearing – Wearable Item	2
3	AU-02-1512	Chain Guard	1
4	AU-03-1605	Access Cover	1
5	AU-03-1617	Cover Plate	1
6	AU-03-1620	Left Hand Tiller Tine – Wearable Item	14
7	AU-03-1621	Right Hand Tiller Tine – Wearable Item	14
8	AU-02-1513-72	72" Tiller Body	1
8	AU-02-1513-78	78" Tiller Body	1
9	AU-03-4005	80H 9 Tooth Sprocket	1
10	AU-03-4006	80H 22 Tooth Sprocket	1
11	AU-03-9910	Hydraulic Motor	1
12	AU-03-1626	.375 x 1.50 Key	1
13	AU-03-1635	80H x 45" Chain – Wearable Item	1
14	H500-7200KK	½" x 72" Hydraulic Hose	2
15	HSL500-66	66" Hose Sleeve	1
16	H500-FT11	7/8" Male ORB to ½" NPT Female Swivel Fitting	2
A		Blade Warning Decal	1
B		Rotating Machinery Warning Decal	1
C		Skid Pro Attachments Contact Information Decal	1
D		Skid Pro Attachments Logo Decal	1
E		Grease Daily Decal	2
F		Caution – Do Not Operate With Guard Removed Decal	1
G		Model/Serial Number Decal	1