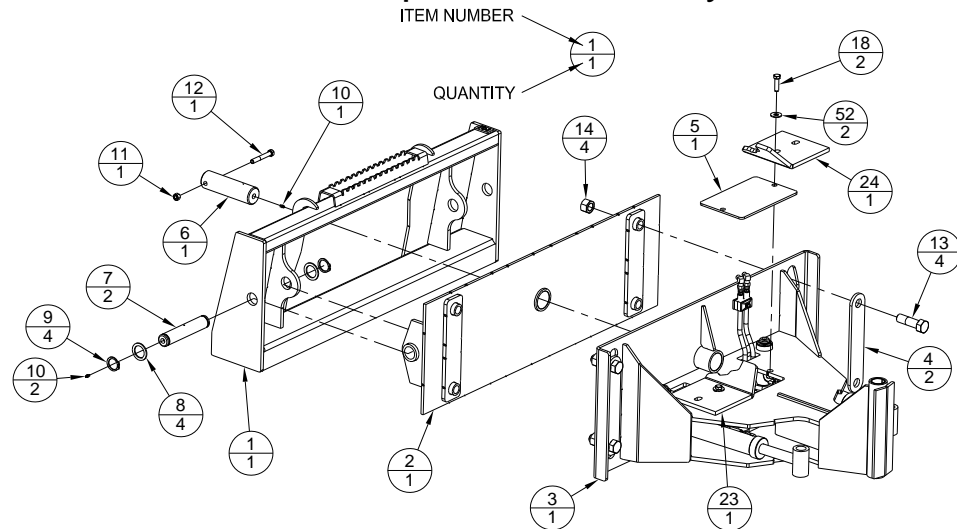


Snow V-Blade (SBV) Parts Breakdown

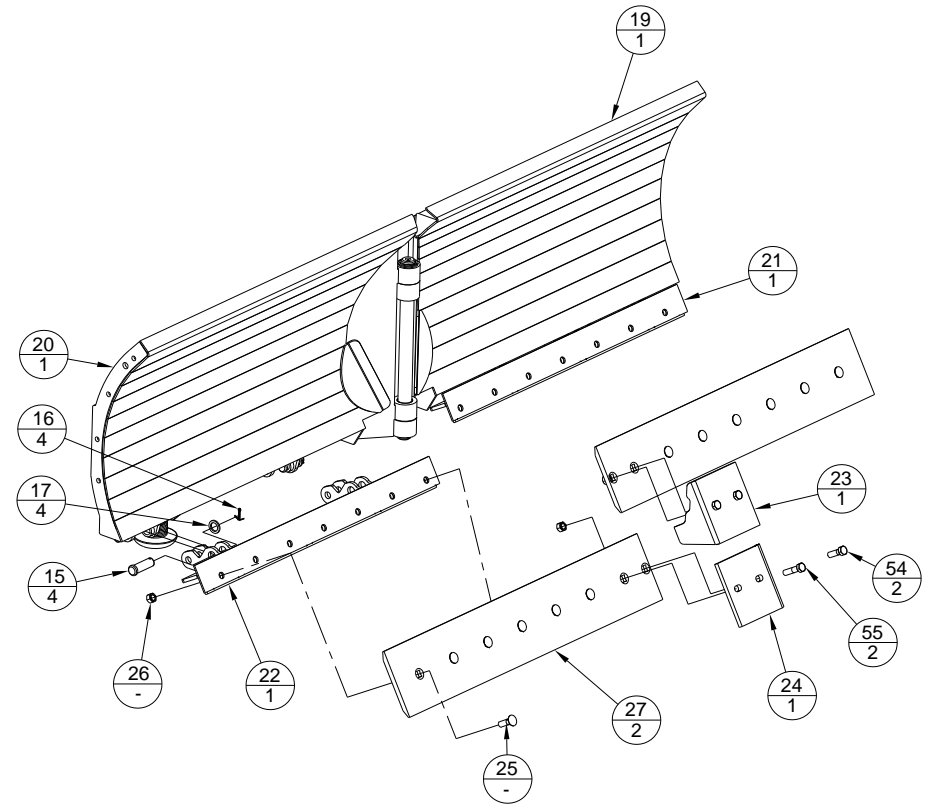
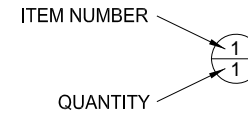
Serial Numbers 116000 – Current

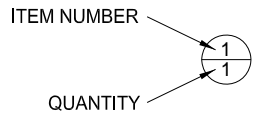
Manufacture Date 07/20/16 – Current

Main Component Assembly



Additional of Item 23 and 24 shown in storage position.

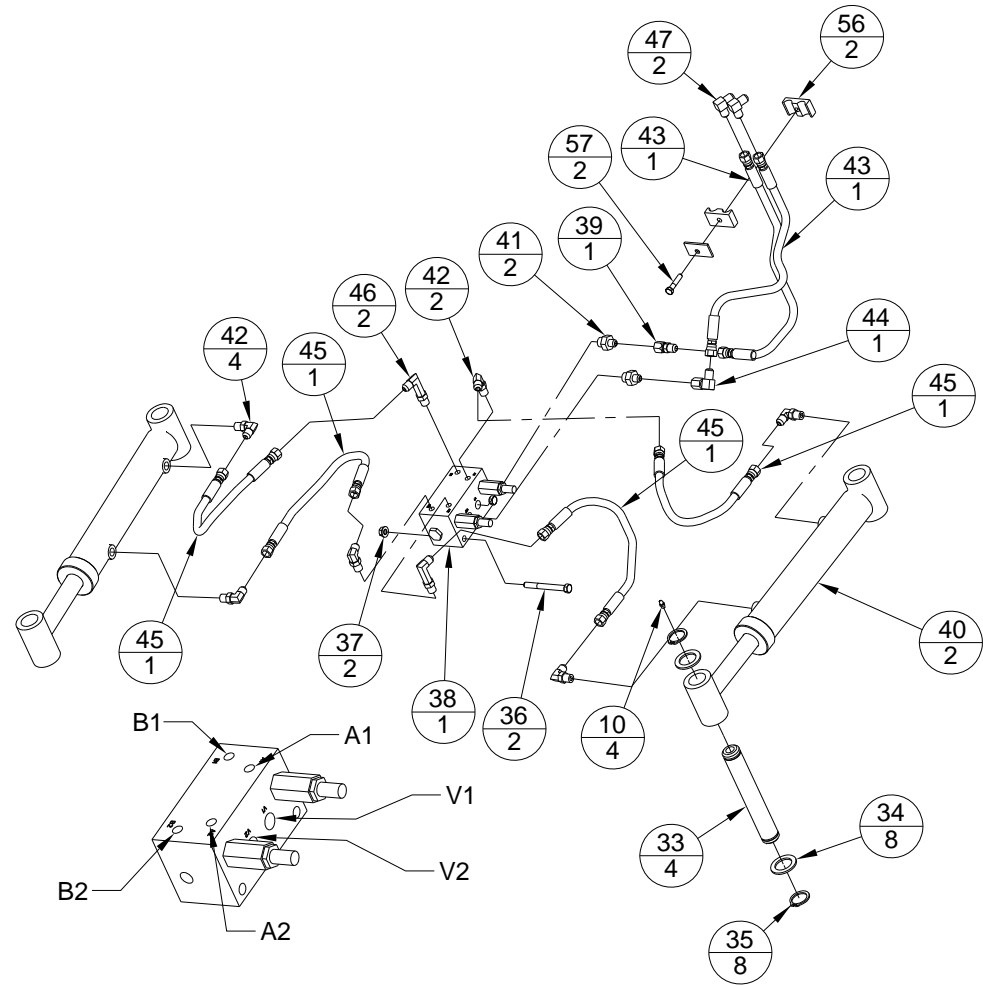




Hydraulic Installation

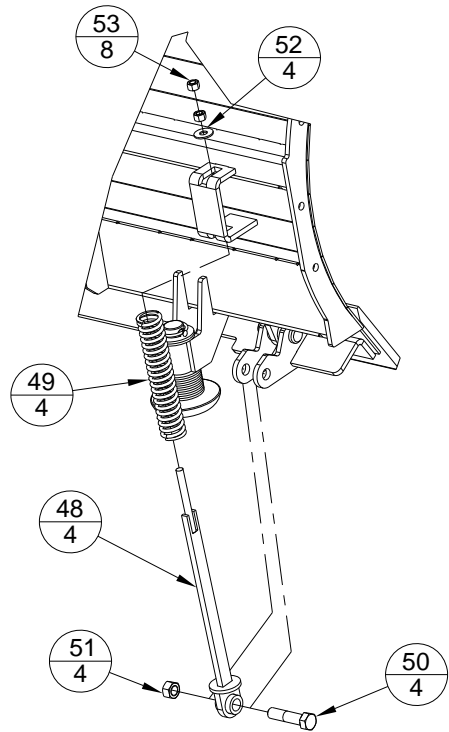
Manifold Connections

ITEM	MANIFOLD PORT
FEMALE COUPLER	V1
MALE COUPLER	V2
RIGHT CYLINDER BARREL	B1
RIGHT CYLINDER ROD	B2
LEFT CYLINDER BARREL	A1
RIGHT CYLINDER ROD	A2

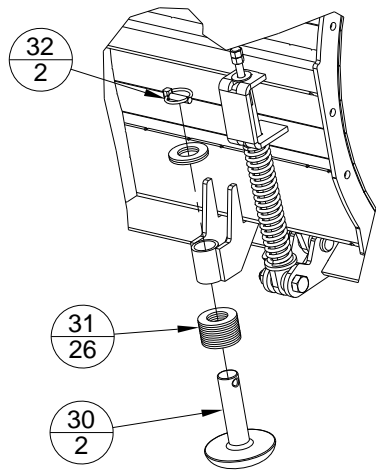


A1, B1, V1, A2, B2 and V2 are labeled ports on the manifold.
 Restrictor fitting (Item #39) goes on port V1.

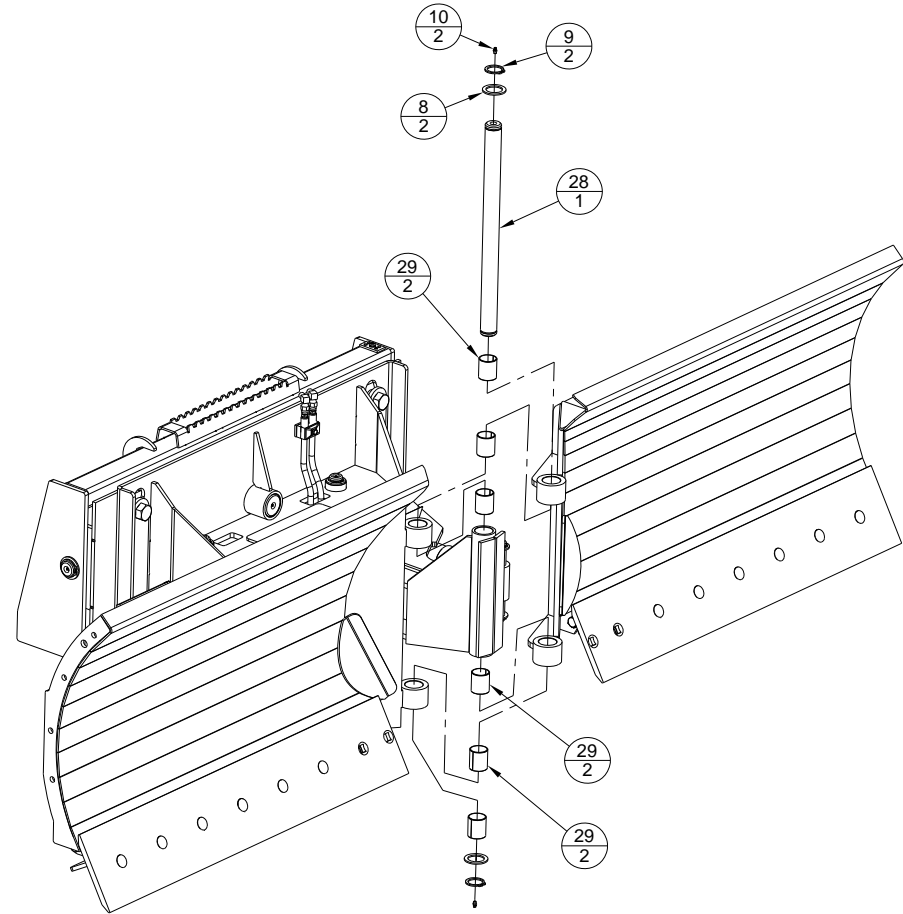
Spring Installation



Wear Shoe Installation



Pivot Pin Installation



ITEM NUMBER → $\frac{1}{1}$
QUANTITY → $\frac{1}{1}$

V Snow Blade (SBV) Parts List

ITEM	PART NO.	QTY	DESCRIPTION
1	6802VW	1	SBV FRAME WELDMENT
2	6805VW	1	SBV KNUCKLE WELDMENT
3	6688VW	1	SBV OSCILLATION WELDMENT
4	6675VP	2	SNOW BLADE OSC RETENTION PLATE
5	6715VP	1	V-BLADE HYDRAULIC VALVE COVER
6	6674VP	1	SNOW BLADE OSCILLATION PIN
7	5194VP	2	CLAM PIVOT PIN
8	1097PP	6	1 9/16" X 10GA MACH BUSHING
9	1098PP	6	1 9/16" EXTERNAL SNAP RING
10	1034PP	9	1/4"-28 STRAIGHT GREASE ZERK
11	1003PP	1	1/2"-13 REVERSE LOCK NUT
12	1077PP	1	1/2"-13 X 3 1/2" LG HHCS
13	6676PP	4	1"-8 X 3 1/2" LG HHCS
14	7246PP	4	1"-8 TOP LOCK NUT
15	10339PP	4	1" X 3" CLEVIS PIN
16	10567PP	4	3/16" X 1 1/2" COTTER PIN
17	5146PP	4	1" X 10GA MACHINERY BUSHING
18	5225PP	2	1/2"-13 X 1 3/4" LG HHCS
A 19	-----	1	SBV MOLDBOARD WELDMENT LH
A 20	-----	1	SBV MOLDBOARD WELDMENT RH
A 21	-----	1	SBV EDGE HOLDER WDT LH
A 22	-----	1	SBV EDGE HOLDER WDT RH
B 23	8326VP	2	V-BLADE STEEL CENTER LH
B 24	8327VP	2	V-BLADE STEEL CENTER RH
A 25	1036PP	-	5/8"-11 X 2" LG PLOW BOLT
A 26	1008PP	-	5/8"-11 TOP LOCK NUT
A 27	-----	2	BOE V-BLADE
28	6714VP	1	SNOW BLADE PIVOT PIN V-BLADE
29	1112PP	6	1 9/16" DIA X 2" LG BUSHING
30	6854PP	2	SNOW BLADE WEAR SHOE
31	6862PP	26	1 3/8" SAE FLAT WASHER
32	6863PP	2	7/16" X 1-3/4" LG LYNCH PIN
33	2137VP	4	CYLINDER PIN
34	1094PP	8	1 1/4" X 10GA MACH BUSHING
35	1095PP	8	1 1/4" EXTERNAL SNAP RING
36	6970PP	2	3/8"-16 X 3 1/2" LG HHCS
37	6140PP	2	3/8"-16 TOP LOCK FLANGE NUT
38	6964PP	1	MANIFOLD V-BLADE ASSEMBLY
39	1072PP	1	1/16" DIA RESTRICTOR FITTING IN LINE 6 JIC
40	10137PP	2	CYL 2" BORE X 8 3/8" STROKE

V Snow Blade (SBV) Parts List (cont.)

ITEM	PART NO.	QTY	DESCRIPTION
41	1145PP	2	ADAPTER 6MJ TO 8MB
42	6997PP	6	ELBOW 90 6MJ TO 6MB
43	6996PP	2	HYD HOSE 1/4" X 22" LG 6FJX TO 6FJX
44	1012PP	1	ELBOW 90 6FJX TO 6MB
45	1102PP	4	HYD HOSE 1/4" X 18" LG 6FJX TO 6FJX
46	10614PP	2	ELBOW 90 EXTRA LONG 6MJ TO 6MB
47	6868PP	2	ELBOW 90 SOLID 6MJ BOTH ENDS
E 48	6664VW	4	SNOW BLADE SPRING GUIDE WDT
E 49	6684PP	4	SPRING COMPRESSION SNOW BLADE
E 50	6680PP	4	3/4"-10 X 3 1/4" LG HHCS
E 51	1011PP	4	3/4"-10 TOP LOCK NUT
F 52	5148PP	6	1/2" USS FLAT WASHER
F 53	5237PP	8	1/2"-13 NUT
A 54	7719PP	2	5/8"-11 X 2" LG HHCS
A 55	5130PP	2	5/8"-11 X 2 1/2" LG HHCS
56	1067PP	2	HOSE CLAMP FOR 1/4" HOSES
57	1117PP	2	5/16"-18 X 1 1/2" LG HHCS
C 58	8734PP	1	COUPLER FEMALE 12FB CUP
C 59	8735PP	1	COUPLER MALE 12FB CUP
C 60	1144PP	2	ELBOW 90 MALE 6MJ TO 8MB
C 61	9498PP	2	ADAPTER 12MB TO 8FB
C	1127PP	2	HYD HOSE 1/4" X 72" LG 6FJX TO 6FJX
	1126PP		HYD HOSE 1/4" X 80" LG 6FJX TO 6FJX
	1128PP		HYD HOSE 1/4" X 88" LG 6FJX TO 6FJX
C,D 63	7026PP	2	RELIEF VALVE V-BLADE
C,D 64	7027PP	2	CHECK VALVE V-BLADE

A - See Table 1.

B - One each installed on plow, second set to be used when main steel edges are reversed.

C - Item not shown.

D - V-Blade Manifold replacement part.

E - Qty 2 used on SBV48

F - Qty 4 used on SBV48

V Snow Blade (SBV) Parts List (cont.)

Table 1

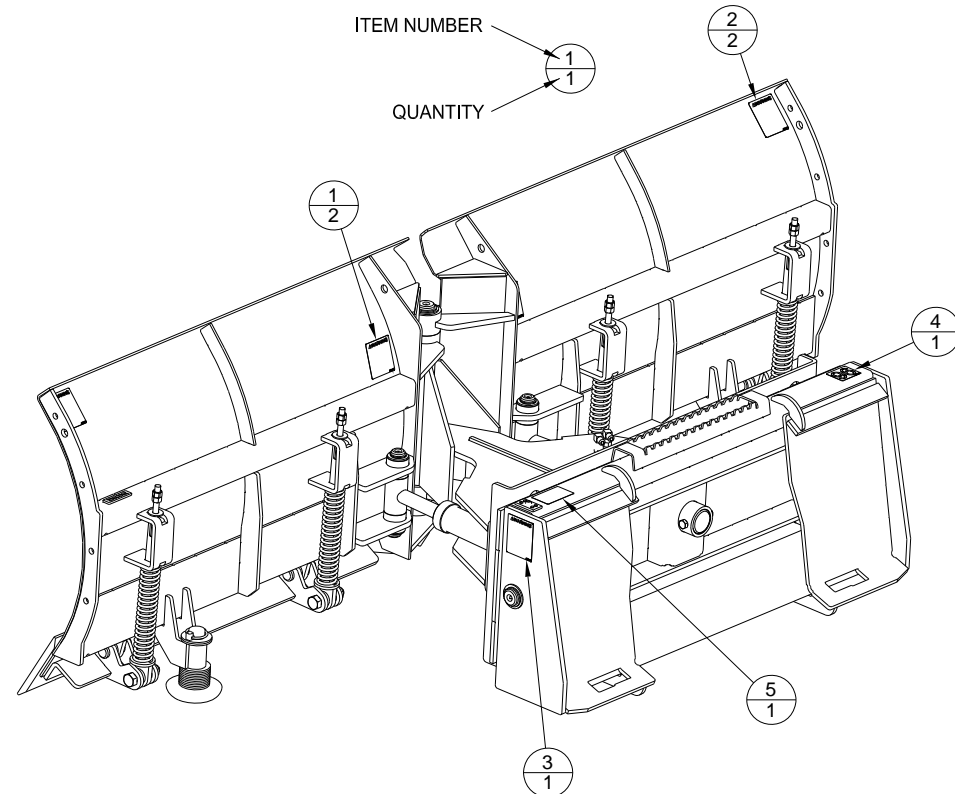
MODEL	SBV48	SBV60	SBV72	SBV84	SBV96	SBV108	SBV120
SBV MOLDBOARD WELDMENT LH	10031VW	8285VW	7233VW	7000VW	6695VW	7013VW	7168VW
SBV MOLDBOARD WELDMENT RH	10032VW	8289VW	7237VW	7004VW	6706VW	7017VW	7172VW
SBV EDGE HOLDER WELDMENT LH	10033VW	9688VW	9692VW	9696VW	9700VW	9704VW	9708VW
SBV EDGE HOLDER WELDMENT RH	10034VW	9691VW	9695VW	9699VW	9703VW	9707VW	9708VW
BOE V-BLADE	10046VP	8297VP	7245VP	6958VP	6713VP	6959VP	7180VP
# OF PLOW BOLTS	4	6	8	10	12	14	16
# OF 5/8" NC NUTS	8	10	12	14	16	18	20
REPLACEMENT STEEL EDGE KIT	VEK48	VEK60	VEK72	VEK84	VEK96	VEK108	VEK120

Items 23 through 27, 54 and 55 are available as a Replacement Steel Edge Kit. Replacement Steel Edge Kit part numbers are listed in Table 1. Replacement Steel Edge Kits include width specific Steel Cutting Edges, Center Edges and required mounting hardware.

V Snow Blade (SBV) Label Parts List

ITEM	PART NO.	QTY	DESCRIPTION
1	5263PP	2	PINCH POINT WARNING LABEL
2	5264PP	2	CRUSH HAZARD WARNING LABEL
3	5265PP	1	HYDRAULIC WARNING LABEL
4	10259PP	1	48 WIDTH LABEL
	9392PP		60 WIDTH LABEL
	9397PP		72 WIDTH LABEL
	9399PP		84 WIDTH LABEL
	9401PP		96 WIDTH LABEL
	9403PP		108 WIDTH LABEL
	9404PP		120 WIDTH LABEL
5	SERIALTAG	1	SERIAL NUMBER TAG

Label Locations



Optional Snow Blade Wings

Snow Blade Wings (WGS) Parts List

ITEM	PART NO.	QTY	DESCRIPTION
1	1003PP	8	1/2"-13 REVERSE LOCK NUT
2	1008PP	4	5/8"-11 TOP LOCK NUT
3	5130PP	4	5/8"-11 X 2 1/2" LG HHCS
4	6723PP	4	3/16" X 1" LG LYNCH PIN
5	7487PP	8	1/2"-13 X 1 1/4" LG HHCS
6	9248VP	2	RUBBER EDGE RETAINER SHORT
7	9957PP	2	SNOW WING URETHANE WEAR EDGE
8	9961WW	1	WGS WING WELDMENT LH
9	9962WW	1	WGS WING WELDMENT RH
10	10263WW 9963WW	1	WING BOLT PLATE WELDMENT LH
11	9964WW	1	WING BOLT PLATE WELDMENT RH
	9967WW	4	WING PIN WELDMENT

Main Component Assembly

