



# SkidPro

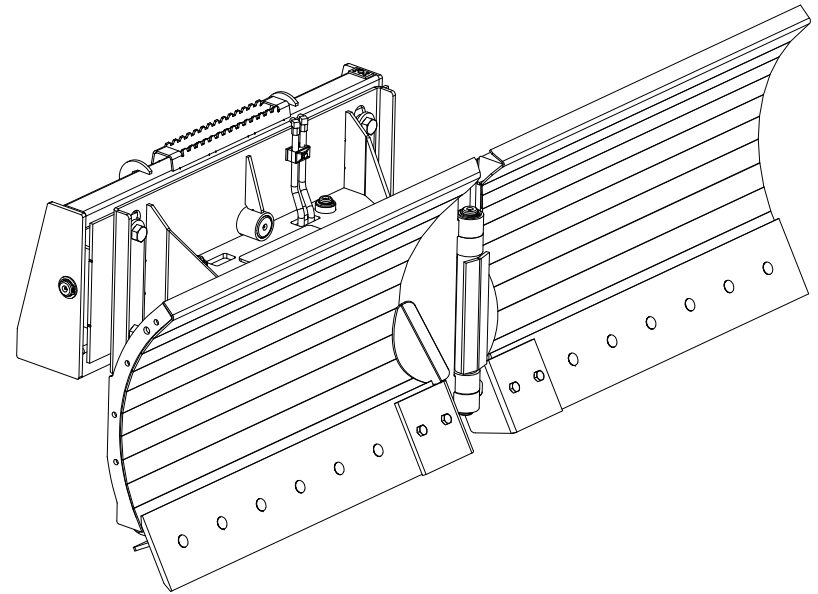
## V Snow Blade

### OWNERS/OPERATORS MANUAL

PO BOX 982  
Alexandria, MN 56308

Phone: 877-378-4642  
FAX: 320-759-1057  
[www.skidpro.com](http://www.skidpro.com)

[sales@skidpro.com](mailto:sales@skidpro.com)



Model Number SBV

Serial Number \_\_\_\_\_

Serial Numbers 116000 – Current  
Manufacture Date 07/20/16 – Current

Phone: 877-378-4642

10/29/09  
Revised 07/20/16

SBV

## **Features of Skid Pro V Snow Blade include:**

- 2" bore, 8 3/8" stroke cylinders with 1 1/4" rods and 1 1/4" cylinder pins.
- 1 9/16" diameter pivot pin, 2 1/4" diameter oscillation pin.
- Heavy duty frame with float link, oscillation and adjustable skid shoes.
- Trip edge design featuring 4 compression springs.
- 5/8" x 8" double bevel, reversible wear edge.
- Replaceable steel center sections.
- Hydraulic only control allows each blade to independently angle up to 30° left or right.
- Recommended for skid loaders with a lift capacity greater than 1500 lb.
- Optional Snow Blade Wings available.

## **Initial Use**

- See following pages for suggested hose routing.
- Check that the quick-tach of the snow blade fits onto skid loader properly. Pins must engage through 3/8" plates at bottom of quick-tach.
- With bottom of the blade touching ground/floor, slowly roll back attachment. Make sure there is no interference between attachment and loader.
- Make sure hoses do not pinch during roll back.
- Slowly roll attachment fully forward. Check that hoses are long enough so they do not stretch or bind.
- Do not connect this attachment to high flow couplers.
- Cycle blade through all positions. Activate hydraulics; leading side should move fully forward, then trailing side should move fully forward. Reverse hydraulic flow; leading side should retract fully, then trailing side should retract fully. If blade does not cycle through it's full motion, the pre-set relief pressure of the relief valves may be set too high (the valves are pre-set for skid loaders with operating pressure greater than 2500 psi.). Please call SkidPro at 877-378-4642 for instructions to adjust the relief valve pressure setting.
- After initial hydraulic test, check for oil leaks per instructions in "Maintenance" section.
- Read and understand all warning information in this manual before operating this attachment.
- Never exceed the maximum attachment operating pressure of 3500 psi.

## Installation

- Install Wing Bolt Plate Weldments (Items #10 and #11) to plow with ½” bolts (Item #5) and nuts (Item #1).
- Install wings by positioning the mount pipes of each wing aligned with the mount pipes on the Wing Bolt Plate Weldments. Secure each wing with two Wing Pin Weldments (#12) and two lynch pins (#4).
- Two additional holes are located in each Wing Bolt Plate Weldment and wing for installation of 5/8” bolts (not included). If wings are not going to be removed for long periods of time, the additional bolts can be used to attach wings to plow more securely, if desired.

## Operation

- Urethane Wear Edges (Item #7) can be adjusted by loosening 5/8” bolts (Item #3) and nuts (Item #2). For best Urethane Wear Edge adjustment, install plow onto loader, loosen 5/8” bolts and nuts, drive loader onto a flat floor/surface, lower loader boom to stops and use loader tilt function to position plow flat on the floor/surface. Adjust Urethane edges to contact floor/surface. Tighten 5/8” hardware. Can repeat this process as needed, especially after flipping main edge of plow.
- Wings can be removed from plow by removing lynch pins and Wing Pin Weldments. Wing Bolt Plate Weldments can stay attached on plow.

## Snow Blade Wings Edge Kit (WGSEK)

Items 2, 3, 6 and 7 are available as a replacement edge kit. Replacement edge kit includes two Urethane wear edges, two retainers and required mounting hardware.

Snow Blade Wings Edge Kit part number: WGSEK



Attachment shown Center Plumb works for Case, John Deere, New Holland, Mustang, Takeuchi, and Gehl skid loaders.

Hoses need to be secured so they do not get damaged during operation. Hoses can be routed as shown in the picture above. Hoses can also be tied or bungeed to the skid loader cross member (close to the lower pivot ) to hold them from getting pinched or stretched.

Attachment can also be Left Side Plumbed. Attachment can be converted to Left Side Plumb by using clamp near quick-tach on Frame Weldment (Item 1). Allow enough slack in hose to allow for movement of the Knuckle Weldment (Item 2). Angle of Elbows (Item 47) can be adjusted to improve hose routing. Please see picture on the next page showing Left Side Plumb. Hoses should be run through the bracket on the skid loader arm, as shown, or the hoses can be tied or bungeed to the skid loader arm

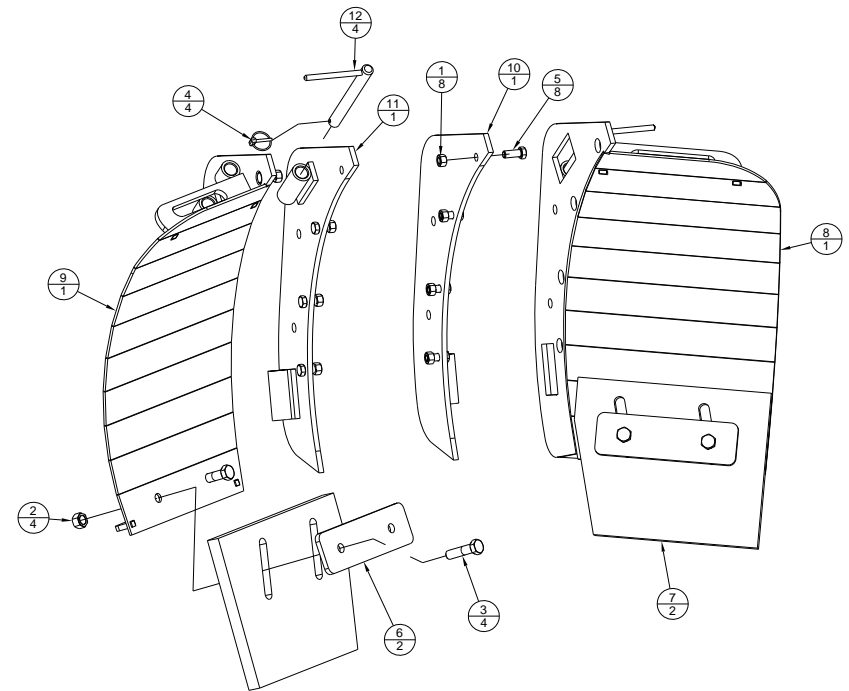


# Optional Snow Blade Wings

## Snow Blade Wings (WGS) Parts List

ITEM	PART NO.	QTY	DESCRIPTION
1	1003PP	8	1/2"-13 REVERSE LOCK NUT
2	1008PP	4	5/8"-11 TOP LOCK NUT
3	5130PP	4	5/8"-11 X 2 1/2" LG HHCS
4	6723PP	4	3/16" X 1" LG LYNCH PIN
5	7487PP	8	1/2"-13 X 1 1/4" LG HHCS
6	9248VP	2	RUBBER EDGE RETAINER SHORT
7	9957PP	2	SNOW WING URETHANE WEAR EDGE
8	9961VW	1	WGS WING WELDMENT LH
9	9962VW	1	WGS WING WELDMENT RH
10	9963VW	1	WING BOLT PLATE WELDMENT LH
11	9964VW	1	WING BOLT PLATE WELDMENT RH
12	9967VW	4	WING PIN WELDMENT

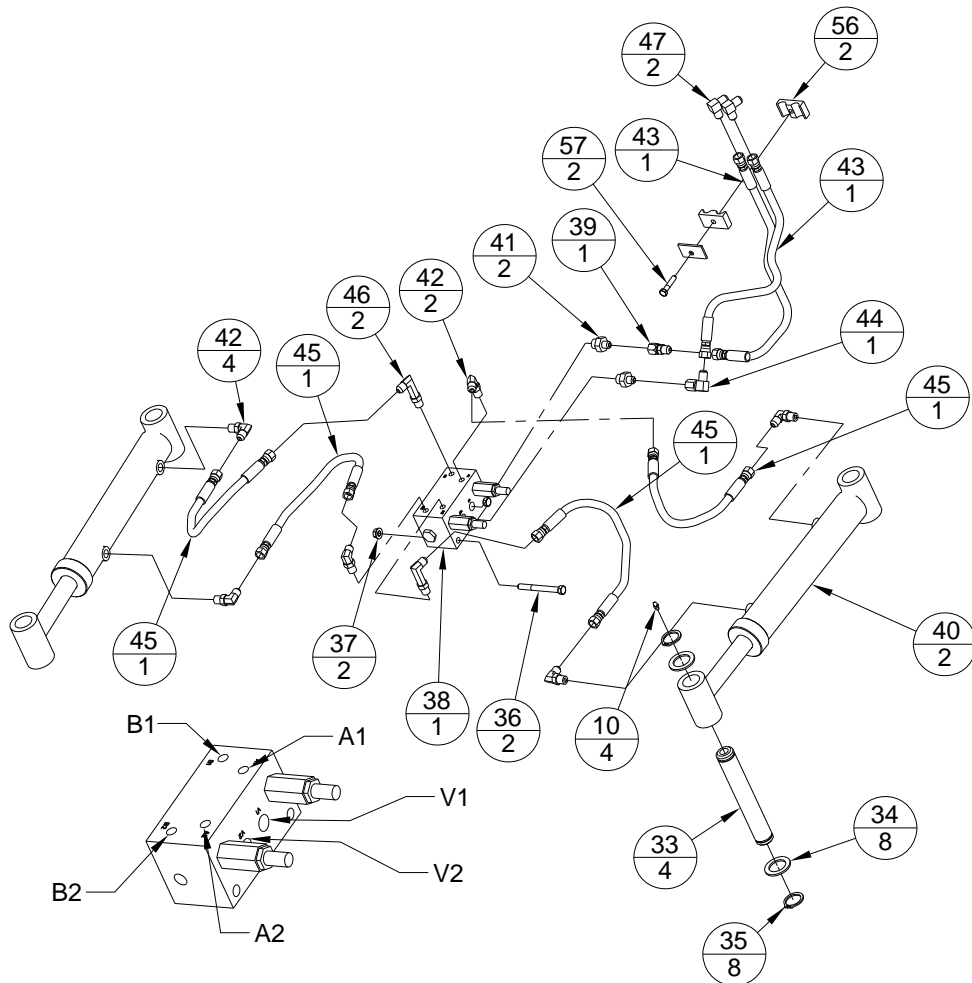
## Main Component Assembly



Attachment shown Left Side Plumb, works for Cat, Bobcat, Kubota, Terex and ASV.

If there is too much slack hose, the amount of slack can be adjusted using the clamp on the attachment near the mount plate.

# Hydraulic Installation



A1, B1, V1, A2, B2 and V2 are labeled ports on the manifold.  
Restrictor fitting (Item #39) goes on port V1.

## Manifold Connections

ITEM	MANIFOLD PORT
FEMALE COUPLER	V1
MALE COUPLER	V2
RIGHT CYLINDER BARREL	B1
RIGHT CYLINDER ROD	B2
LEFT CYLINDER BARREL	A1
RIGHT CYLINDER ROD	A2



If needed, additional small elbows (Part No. 1012PP) are zip tied to the attachment and can be installed between hoses and couplers, as shown above, to improve hose routing at hydraulic coupler interface on loader. The additional elbows will not be required for most brands of skid loaders.

## Operation

- Always follow safety information.
- Keep bystanders back 50 feet.
- Always follow all safety and operating instructions of skid loader.
- Always relieve pressure before disconnecting hydraulic hoses.
- Never hit or pound couplers.
- Never ram piles, damage to blade and/or skid loader may occur.
- Care should be taken to avoid hidden obstructions (curb, posts, etc.), damage to blade and/or skid loader may occur.
- Never use this attachment to push any material other than snow.
- Never hook a chain on this attachment.
- Check for debris in quick-tach area before each hook-up.



## Operation (cont.)

- By varying direction and duration of hydraulic flow, the blades can be positioned to full scoop, full V, angled fully right, angled fully left or other positions in between. One blade will always lead (extend and retract), the other blade will always trail (extend and retract). Various angles can be obtained by stopping the blades at various positions during their travel. For example, if you want to have both blades straight for back dragging from a door; fully extend the leading side and extend the trailing side until it is parallel with the door. Then retract the leading side until it is parallel with the door. Other blade angle arrangements can be done using a similar method.
- With the blades in full V or full scoop, they are hydraulically locked. With the blades in any other position, the blades will move if they hit a large enough obstruction. A large impact will cause one blade to move back and the hydraulic system will allow the other blade to move forward by the same amount. The trail side blade will require a somewhat smaller impact to move due to the hydraulic system components used.

## Maintenance

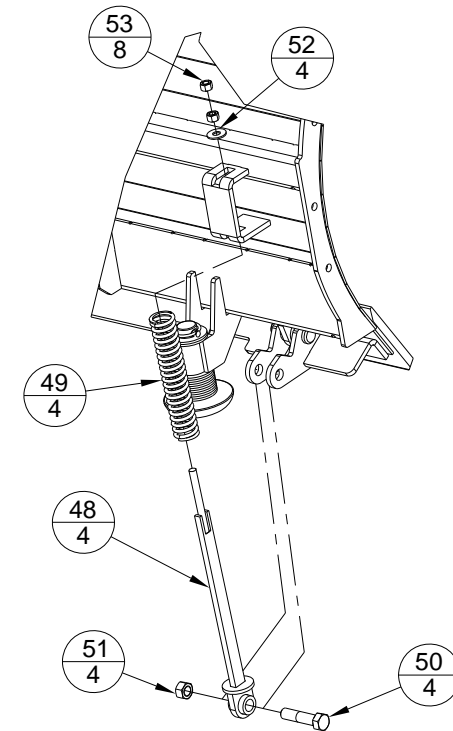
\*Every 10 hours of operation

- Grease pivot pin (2 fittings), oscillation pin, tilt pins and cylinder pins (9 grease fittings total).
- Inspect springs and fasteners. Make sure they are in place and holding mating parts securely.
- Inspect cylinders, valve block, hydraulic fittings, and hoses for leaks and damage. Replace as needed. Make sure skid loader is shut off and hydraulic pressure is relieved before checking for leaks. Never use hands to check for high pressure hydraulic leaks.

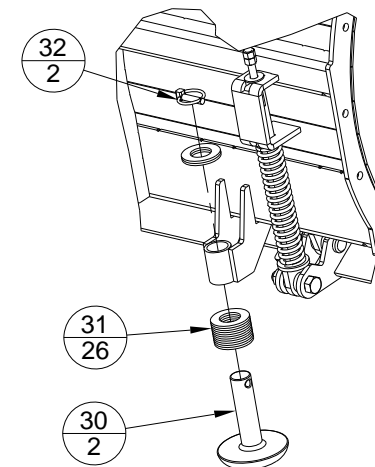
\*Every 50 hours of operation

- Check that cylinder, tilt, pivot and oscillation pins are secure.
- Check for loose, worn, or missing parts. Repair or replace as needed.
- Check cutting edges for wear. Reverse and/or replace edges as needed.
- Contact SkidPro for replacement parts.

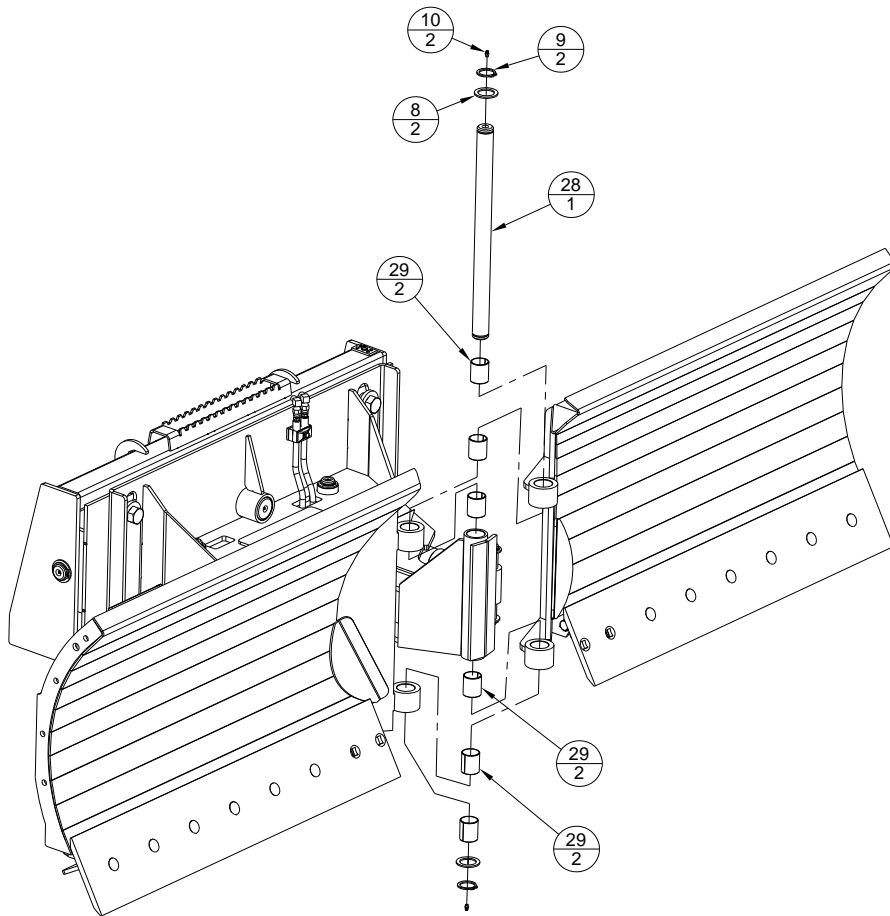
## Spring Installation



## Wear Shoe Installation



## Pivot Pin Installation



## Warning Labels on Snow Blade Attachment



5263PP – PINCH POINT WARNING LABEL

Always keep hands clear of snow blade when skid loader hydraulic system is operational.



5264PP – CRUSH HAZARD WARNING LABEL

Always stay clear of moldboard. Never inspect attachment with skid loader running or with the blade raised off of the ground/pavement.

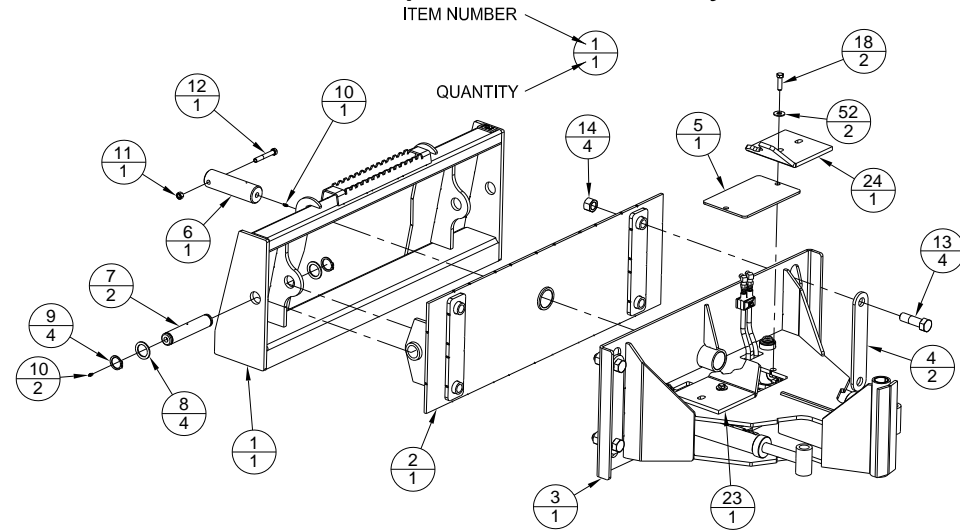
# Warning Labels on Snow Blade Attachment (cont.)



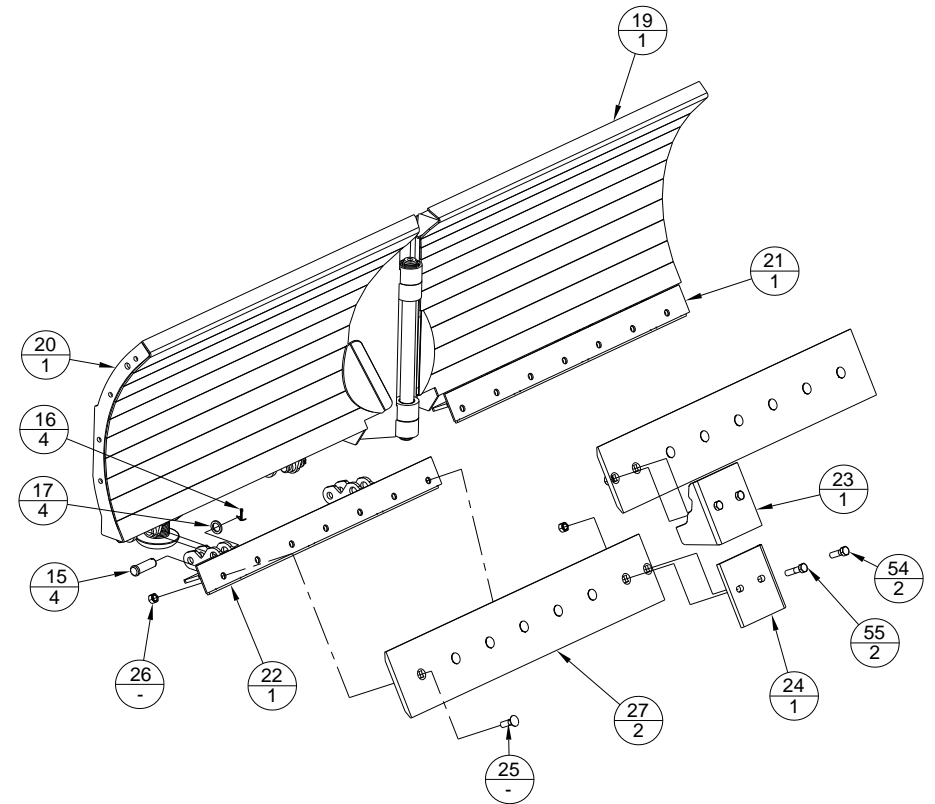
## 5265PP – HYDRAULIC WARNING LABEL

This label has several important instructions that must be followed for safe operation of this attachment.

# Main Component Assembly



Additional of Item 23 and 24 shown in storage position.





## V Snow Blade (SBV) Parts List (cont.)

Table 1

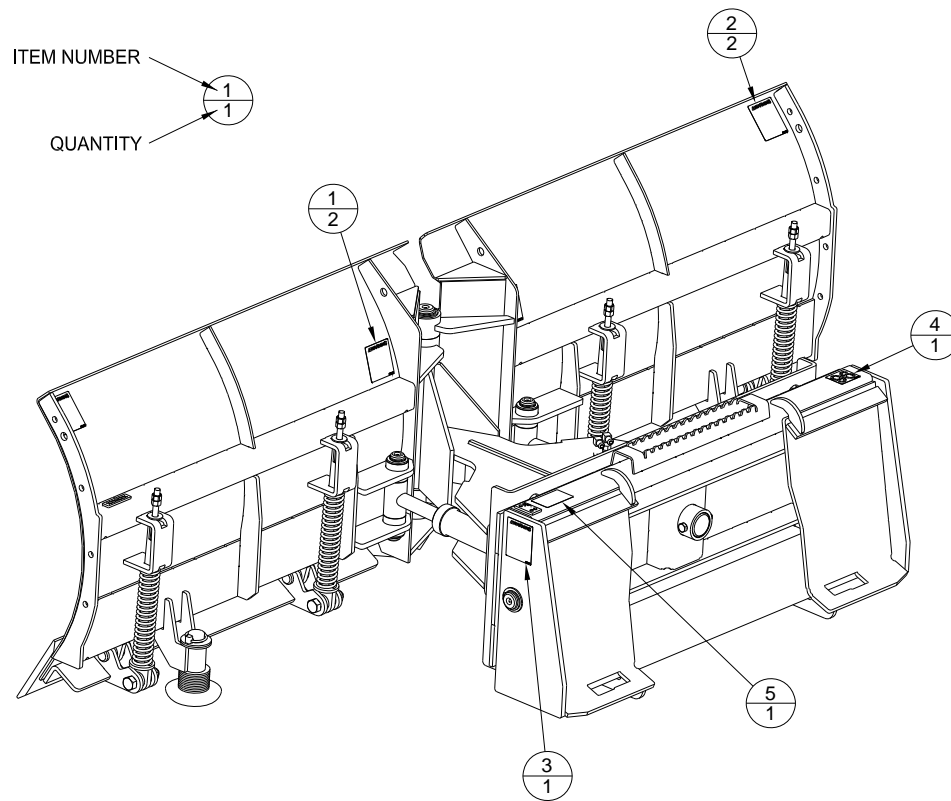
MODEL	SBV48	SBV60	SBV72	SBV84	SBV96	SBV108	SBV120
SBV MOLDBOARD WELDMENT LH	10031VW	8285VW	7233VW	7000VW	6695VW	7013VW	7168VW
SBV MOLDBOARD WELDMENT RH	10032VW	8289VW	7237VW	7004VW	6706VW	7017VW	7172VW
SBV EDGE HOLDER WELDMENT LH	10033VW	9688VW	9692VW	9696VW	9700VW	9704VW	9708VW
SBV EDGE HOLDER WELDMENT RH	10034VW	9691VW	9695VW	9699VW	9703VW	9707VW	9708VW
BOE V-BLADE	10046VP	8297VP	7245VP	6958VP	6713VP	6959VP	7180VP
# OF PLOW BOLTS	4	6	8	10	12	14	16
# OF 5/8" NC NUTS	8	10	12	14	16	18	20
REPLACEMENT STEEL EDGE KIT	VEK48	VEK60	VEK72	VEK84	VEK96	VEK108	VEK120

Items 23 through 27, 54 and 55 are available as a Replacement Steel Edge Kit. Replacement Steel Edge Kit part numbers are listed in Table 1. Replacement Steel Edge Kits include width specific Steel Cutting Edges, Center Edges and required mounting hardware.

## V Snow Blade (SBV) Label Parts List

ITEM	PART NO.	QTY	DESCRIPTION
1	5263PP	2	PINCH POINT WARNING LABEL
2	5264PP	2	CRUSH HAZARD WARNING LABEL
3	5265PP	1	HYDRAULIC WARNING LABEL
4	10259PP	1	48 WIDTH LABEL
	9392PP		60 WIDTH LABEL
	9397PP		72 WIDTH LABEL
	9399PP		84 WIDTH LABEL
	9401PP		96 WIDTH LABEL
	9403PP		108 WIDTH LABEL
	9404PP		120 WIDTH LABEL
5	SERIALTAG	1	SERIAL NUMBER TAG

## Label Locations



## V Snow Blade (SBV) Parts List

ITEM	PART NO.	QTY	DESCRIPTION
1	6802VW	1	SBV FRAME WELDMENT
2	6805VW	1	SBV KNUCKLE WELDMENT
3	6688VW	1	SBV OSCILLATION WELDMENT
4	6675VP	2	SNOW BLADE OSC RETENTION PLATE
5	6715VP	1	V-BLADE HYDRAULIC VALVE COVER
6	6674VP	1	SNOW BLADE OSCILLATION PIN
7	5194VP	2	CLAM PIVOT PIN
8	1097PP	6	1 9/16" X 10GA MACH BUSHING
9	1098PP	6	1 9/16" EXTERNAL SNAP RING
10	1034PP	9	1/4"-28 STRAIGHT GREASE ZERK
11	1003PP	1	1/2"-13 REVERSE LOCK NUT
12	1077PP	1	1/2"-13 X 3 1/2" LG HHCS
13	6676PP	4	1"-8 X 3 1/2" LG HHCS
14	7246PP	4	1"-8 TOP LOCK NUT
15	10339PP	4	1" X 3" CLEVIS PIN
16	10567PP	4	3/16" X 1 1/2" COTTER PIN
17	5146PP	4	1" X 10GA MACHINERY BUSHING
18	5225PP	2	1/2"-13 X 1 3/4" LG HHCS
A	19	-----	1 SBV MOLDBOARD WELDMENT LH
A	20	-----	1 SBV MOLDBOARD WELDMENT RH
A	21	-----	1 SBV EDGE HOLDER WDT LH
A	22	-----	1 SBV EDGE HOLDER WDT RH
B	23	8326VP	2 V-BLADE STEEL CENTER LH
B	24	8327VP	2 V-BLADE STEEL CENTER RH
A	25	1036PP	- 5/8"-11 X 2" LG PLOW BOLT
A	26	1008PP	- 5/8"-11 TOP LOCK NUT
A	27	-----	2 BOE V-BLADE
	28	6714VP	1 SNOW BLADE PIVOT PIN V-BLADE
	29	1112PP	6 1 9/16" DIA X 2" LG BUSHING
	30	6854PP	2 SNOW BLADE WEAR SHOE
	31	6862PP	26 1 3/8" SAE FLAT WASHER
	32	6863PP	2 7/16" X 1-3/4" LG LYNCH PIN
	33	2137VP	4 CYLINDER PIN
	34	1094PP	8 1 1/4" X 10GA MACH BUSHING
	35	1095PP	8 1 1/4" EXTERNAL SNAP RING
	36	6970PP	2 3/8"-16 X 3 1/2" LG HHCS
	37	6140PP	2 3/8"-16 TOP LOCK FLANGE NUT
	38	6964PP	1 MANIFOLD V-BLADE ASSEMBLY
	39	1072PP	1 1/16" DIA RESTRICTOR FITTING IN LINE 6 JIC
	40	10137PP	2 CYL 2" BORE X 8 3/8" STROKE

## V Snow Blade (SBV) Parts List (cont.)

ITEM	PART NO.	QTY	DESCRIPTION
41	1145PP	2	ADAPTER 6MJ TO 8MB
42	6997PP	6	ELBOW 90 6MJ TO 6MB
43	6996PP	2	HYD HOSE 1/4" X 22" LG 6FJX TO 6FJX
44	1012PP	1	ELBOW 90 6FJX TO 6MB
45	1102PP	4	HYD HOSE 1/4" X 18" LG 6FJX TO 6FJX
46	10614PP	2	ELBOW 90 EXTRA LONG 6MJ TO 6MB
47	6868PP	2	ELBOW 90 SOLID 6MJ BOTH ENDS
E	48	6664VW	4 SNOW BLADE SPRING GUIDE WDT
E	49	6684PP	4 SPRING COMPRESSION SNOW BLADE
E	50	6680PP	4 3/4"-10 X 3 1/4" LG HHCS
E	51	1011PP	4 3/4"-10 TOP LOCK NUT
F	52	5148PP	6 1/2" USS FLAT WASHER
F	53	5237PP	8 1/2"-13 NUT
A	54	7719PP	2 5/8"-11 X 2" LG HHCS
A	55	5130PP	2 5/8"-11 X 2 1/2" LG HHCS
	56	1067PP	2 HOSE CLAMP FOR 1/4" HOSES
	57	1117PP	2 5/16"-18 X 1 1/2" LG HHCS
C	58	8734PP	1 COUPLER FEMALE 12FB CUP
C	59	8735PP	1 COUPLER MALE 12FB CUP
C	60	1144PP	2 ELBOW 90 MALE 6MJ TO 8MB
C	61	9498PP	2 ADAPTER 12MB TO 8FB
		1127PP	2 HYD HOSE 1/4" X 72" LG 6FJX TO 6FJX
		1126PP	2 HYD HOSE 1/4" X 80" LG 6FJX TO 6FJX
		1128PP	2 HYD HOSE 1/4" X 88" LG 6FJX TO 6FJX
C,D	63	7026PP	2 RELIEF VALVE V-BLADE
C,D	64	7027PP	2 CHECK VALVE V-BLADE

A - See Table 1.

B - One each installed on plow, second set to be used when main steel edges are reversed.

C - Item not shown.

D - V-Blade Manifold replacement part.

E - Qty 2 used on SBV48

F - Qty 4 used on SBV48