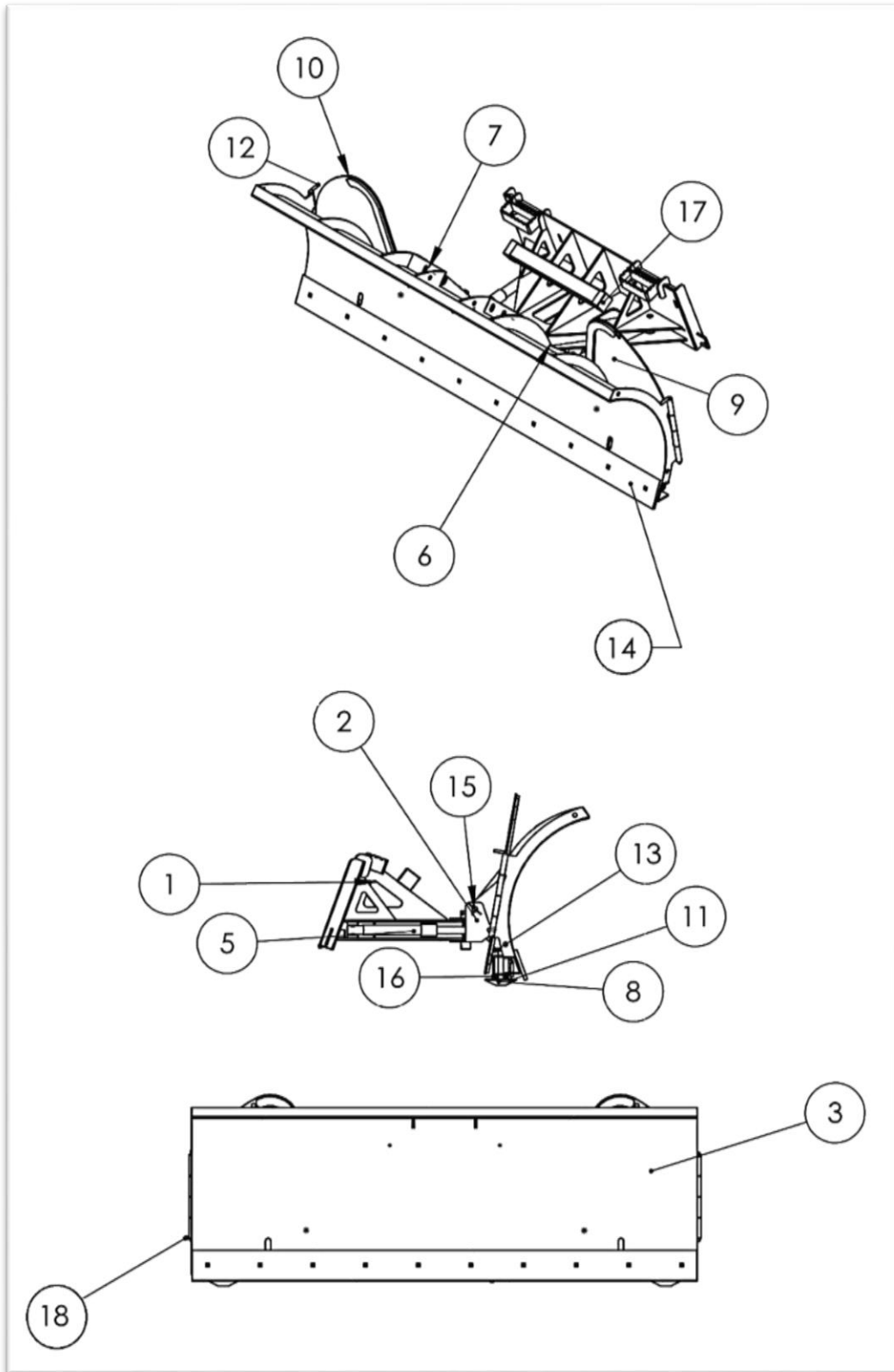


Snow Blade Assembly – Detailed Parts Diagram A



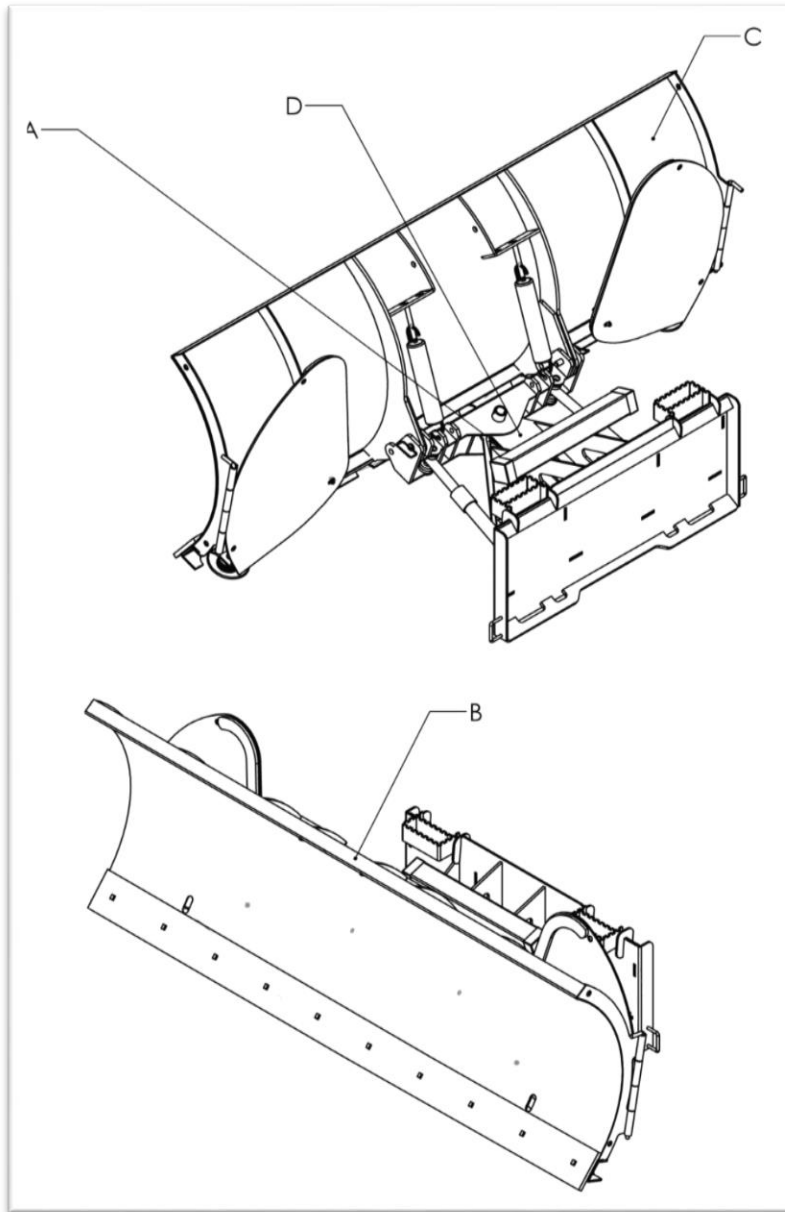
Snow Blade Assembly - Parts List A

ITEM NO.	PART NUMBER	DESCRIPTION	QTY.
1	670-2-0003	QT Assembly	1
2	670-2-0002	Blade Pivot Assembly	1
3	670-2-0001-72	72" Blade Assembly	1
3	670-2-0001-84	84" Blade Assembly	1
3	670-2-0001-96	96" Blade Assembly	1
5	670-2-0004	Angle Cylinder	2
6	AU-03-1607 Rev2	Trip Spring	2 or 4
7	670-3-0039	Spring Bolt	2
8	670-2-0005	Skid Shoe	2
9	670-2-0006	Wing L.H - Optional	1
10	670-2-0007	Wing RH - Optional	1
11	670-3-0037	Wing Rod - Optional	2
12	670-3-0038	Wing Pivot - Optional	2
13	670-3-0042	Keeper	2
14	670-3-0002-72	72" Cutting Edge	1
14	670-3-0002-84	84" Cutting Edge	1
14	670-3-0002-96	96" Cutting Edge	1
15	670-3-0043	Lock Pin	2
16	670-3-0045	Spacers	18
17	670-3-0046	Cap	2
18	670-3-0047	Cotter pin - Optional	4

Snow Blade Hose Assembly - Parts List B

PART NUMBER	DESCRIPTION	QTY.
612-3-0070	Female Quick Coupler	1
612-3-0071	Male Quick Coupler	1
H250-FT1612	Adapter Fitting	2
670-2-0012	Right Cylinder hose 1/4" X 112"	1
670-2-0013	Left Cylinder hose 1/4" X 74"	1
H250-FT1004	Inline Restrictor	1
HSL250	66" of Hose Sleeve (5.5 feet)	1

Snow Blade Warning Decal – Detailed Parts Diagram C



Snow Blade Warning Decals - Parts List C

DECAL	PART NUMBER	DESCRIPTION	QTY.
A	Decals-3-0015	Keep Hands Clear	1
B	Decals-3-0005	Skid Pro Logo	1
C	Decals-3-0091	Serial Number	1
D	Decals-3-0019	Grease Dailey	1