

# Skid Pro Attachments

Phone: 877-378-4642

2/29/12  
Revised 11/30/15

## Pick Up Broom Optional Gutter Brush Assembly

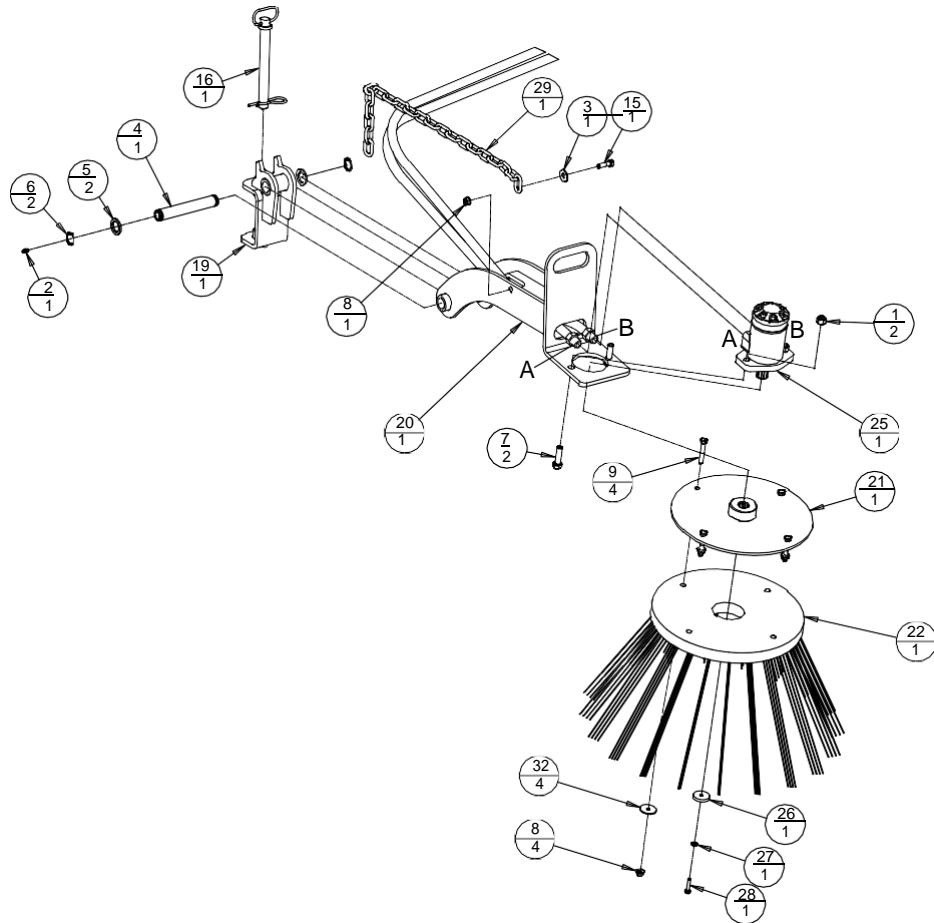


Figure 7.

## Optional Gutter Brush Manifold Assembly

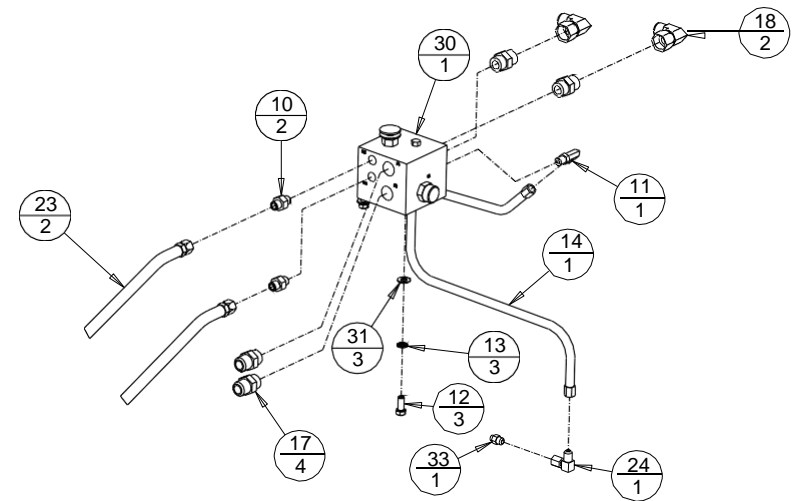


Figure 6.

### Standard Gutter Brush Connections (Right Side Installation)

- Manifold port M1, lower motor port.
- Manifold port M2, upper motor port.
- Manifold port P1, male coupler.
- Manifold port P2, female coupler.
- Manifold port C, motor case drain.
- Manifold port M3, gutter brush motor port A.
- Manifold port M4, gutter brush motor port B.

## Optional Gutter Brush Assembly

ITEM	PART NO.	QTY	DESCRIPTION
1	1003PP	2	1/2"-13 REVERSE LOCK NUT
2	1034PP	1	1/4"-28 STRAIGHT GREASE ZERK
3	1083PP	1	3/8" USS FLAT WASHER
4	5093VP	1	HINGE PIN
5	5146PP	2	1" X 10GA MACHINERY BUSHING
6	5147PP	2	1" EXTERNAL SNAP RING
7	5225PP	2	1/2"-13 X 1 3/4" LG HHCS
8	6140PP	5	3/8"-16 TOP LOCK FLANGE NUT
9	6721PP	4	3/8"-16 X 2 1/4" LG HHCS
10	6727PP	2	ADAPTER 8MJ TO 8MB
11	6998PP	1	ELBOW 90 LONG 6MJ TO 6MB
12	7331PP	3	7/16"-14 X 1" LG HHCS
13	7333PP	3	7/16" LOCK WASHER
14	7797PP	1	HYD HOSE 1/4" X 41 1/2" LG 6FJX TO 6FJX
15	7850PP	1	3/8"-16 X 1 1/4" LG HHCS
16	7968PP	1	7/8" X 8" LG HITCH PIN
17	8263PP	4	ADAPTER 12MJ TO 12MB
18	8264PP	2	ELBOW 90 12MJ TO 12FJX
19	8404VW	1	GUTTER BROOM PIVOT WELDMENT
20	8408VW	1	GUTTER BROOM ARM WELDMENT
21	8412VW	1	GUTTER BROOM BRUSH MOUNT WDT
22	8414PP	1	GUTTER BRUSH
23	8459PP	2	HYD HOSE 1/2" X 100" LG 10MB TO 8FJX
24	1012PP	1	ELBOW 90 6FJX TO 6MJ
25	8469PP	1	MOTOR GUTTER BRUSH
26	8470PP	1	1/4" RETAINING WASHER
27	8471PP	1	1/4" LOCK WASHER
28	8472PP	1	1/4"-20 X 1 1/4" LG HHCS
29	8473PP	1	1/4" X 42" LG CHAIN
30	8474PP	1	MANIFOLD VARIABLE CONTROL
31	8679PP	3	7/16" SAE FLAT WASHER
32	1113PP	4	3/8" X 1 1/2" FENDER WASHER
33	7984PP	1	ADAPTER 6MJ TO 4MB

## Hydraulic Component Assembly

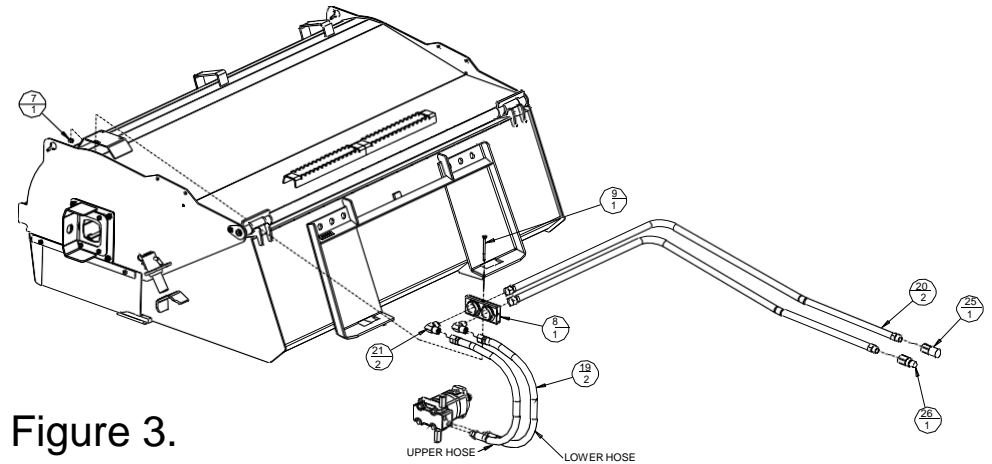


Figure 3.

### Standard Coupler Assembly

- Connect female coupler to upper hose/upper motor port.
- Connect male coupler to lower hose/lower motor port.