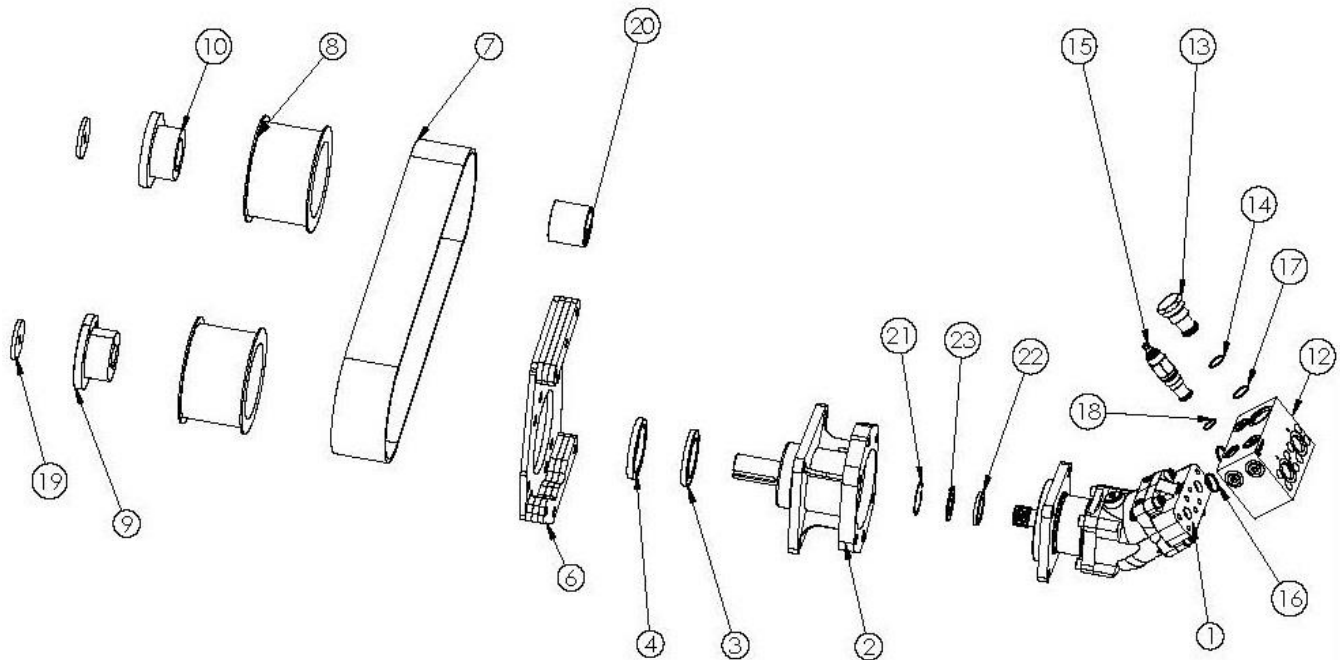


MULCHER – C540 MOTOR PACKAGE



ITEM #	PART NUMBER	DESCRIPTION	QTY.
1	D001303	56cc C540 Motor Option	1
2	D001025	251286 MDH-40 Bearing Stand Off	1
3	060183	Lip Seal Output - Exterior -60 x 90 x 8	1
4	240567	Seal Protector - Exterior Output	1
5	D001025-B	250945 MDH-40 Bearing Stand Off	1
6	D001218	Piston Motor C-Mount	1
7	M2019	MP560 Belt	1
8	B2023	Big Timer Pulley	2
9	D001022	1.5' Tapper Lock Hub for Large Timer Pully	1
10	B2024	2in Hub	1
11	D001214	Relief and Anti-Cav Assembly Valve block	1
12	D001993		1
13	D001991	Anti-Cavation Check Valve	1
14	D001992	#123 O-Ring	1
15	D001990	Pressure Relief Valve	1
16	D001995	#121 O-Ring	2
17	D001999	#022 O-Ring	1
18	D001998	#021 O-Ring	1
19	D001361	Rotor Shaft Washer	2
20	D001085	Hub Spacer for 2" Rotor Shaft	1
21	D002133	Snap Ring for Sunfab Motor SAE-C	1
22	D001366	High Pressure Shaft Seal for Sunfab Motor SAE-C	1
23	D002132	Shaft Washer for Sunfab Motor SAE-C	1