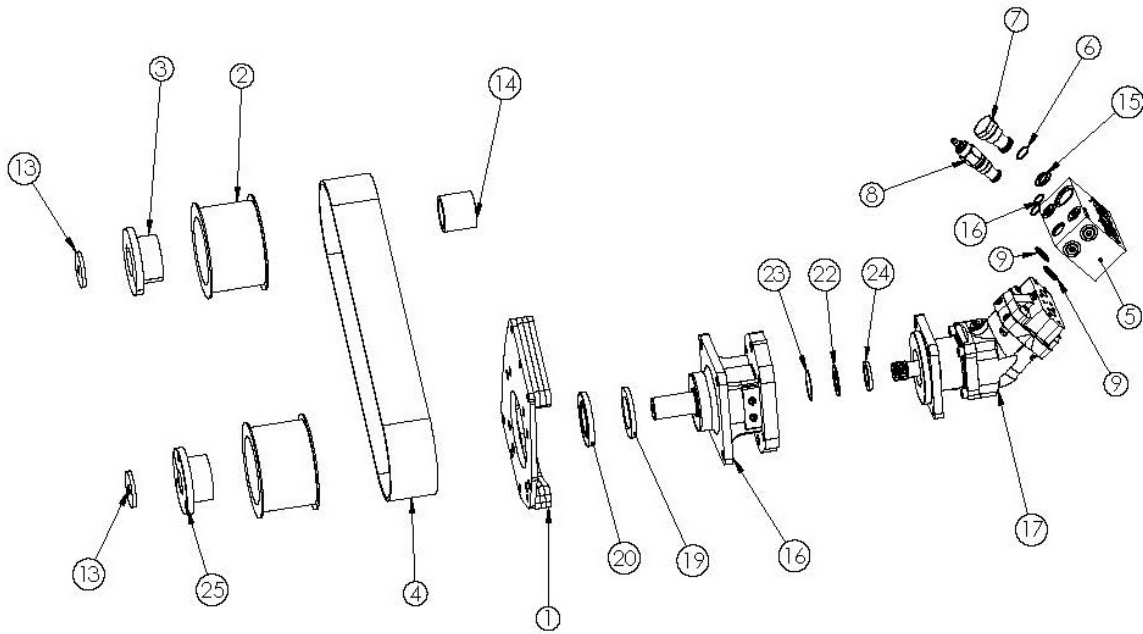


## MULCHER – C530 MOTOR PACKAGE



ITEM #	PART NUMBER	DESCRIPTION	QTY.
1	D001218	Piston Motor C-Mount	1
2	B2023	Big Timer Pulley	1
3	B2024	2in Hub	1
4	M2019	Belt 85x400mm Timer for C540 and Down & 70 hp and Down	1
5	D001214	Relief and Anti-Cav Assembly Valve block	1
6	D001992	#123 O-Ring	1
7	D001991	Anti-Cavitation Check Valve	1
8	D001990	Pressure Relief Valve	1
9	D001995	#121 O-Ring	2
10	D001999	#022 O-Ring	1
11	D001998	#021 O-Ring	1
12	D001993	Anti-Cavitation Valve Block	1
13	D001361	Rotor Shaft Washer	2
14	D001085	Hub Spacer for 2" Rotor Shaft	1
15	D001999	#022 O-Ring	1
16	D001998	#021 O-Ring	1
17	D001215	C530 16-30 gpm 4,000 psi Bent Axis Piston Motor	1
18	D001025	251286 MDH-40 Bearing Stand Off	1
19	060183	Lip Seal Output - Exterior -60 x 90 x 8	1
20	240567	Seal Protector - Exterior Output	1
21	D001025-B	250945 MDH-40 Bearing Stand Off	1
22	D002132	Shaft Washer for Sunfab Motor SAE-C	1
23	D002133	Snap Ring for Sunfab Motor SAE-C	1
24	D001366	High Pressure Shaft Seal for Sunfab Motor SAE-C	1
25	D001022	1.5" Tapper Lock Hub for Large Timer Pully	1