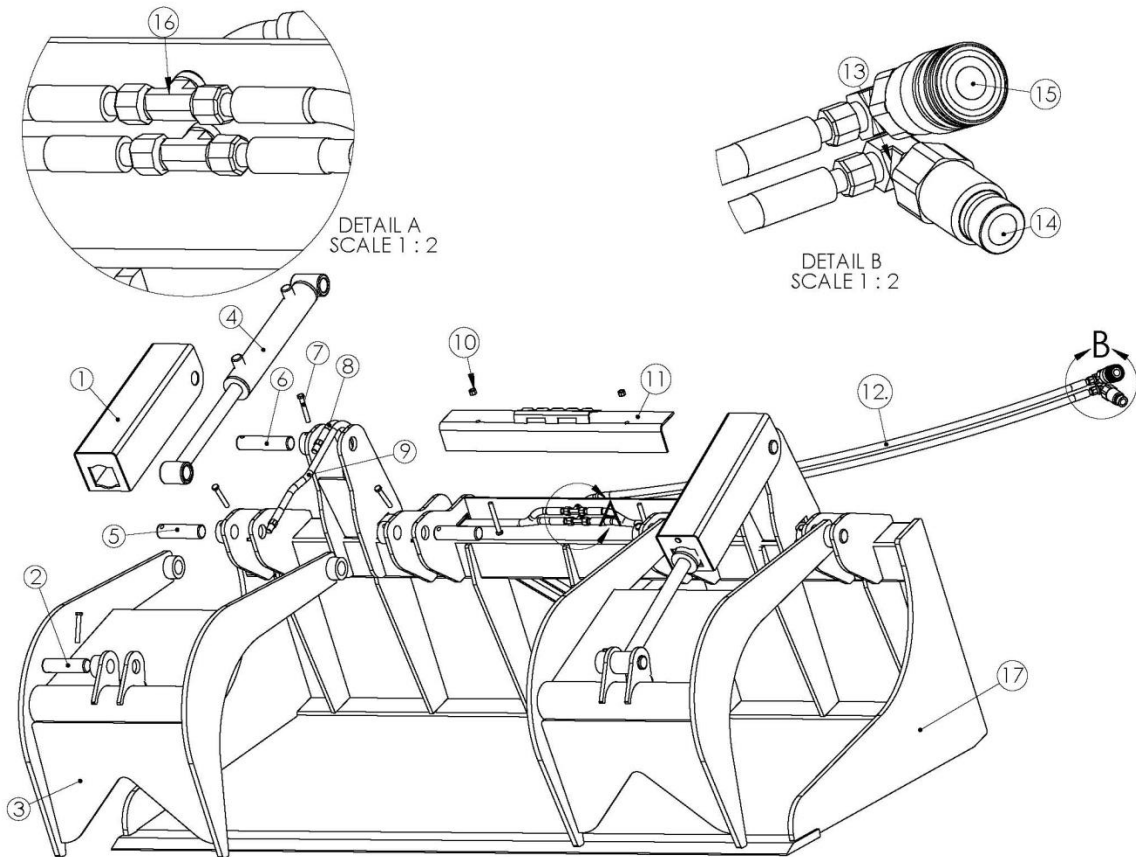


SCRAP GRAPPLE – EXTREME DUTY

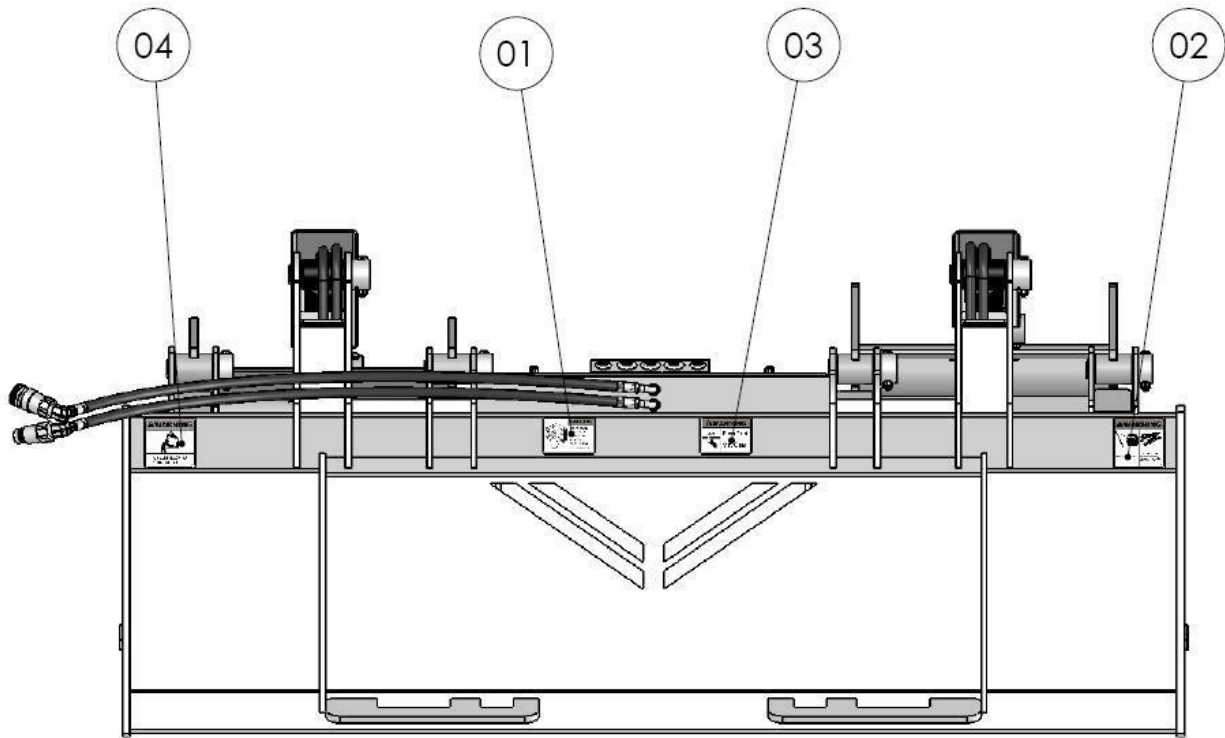
Scrap Grapple Parts Diagram



Scrap Grapple Parts List

Item No.	Part Number	Description	Qty.
1	23-0100	Cover for Hydraulic cylinder 4-1/4"W x 4-1/2"H x 16"L	2
2	23-0101	Pin 1-1/4" Dia. X 5-1/4" Long W/ 3/8" Hole	6
3	23-0102	GB Tine Assembly	2
4	LF2010-125	Hydraulic Cylinder 2" x 10" x 1-1/4" Rod	2
5	23-0101	Pin 1-1/4" Dia. X 5-1/4" Long W/ 3/8" Hole	4
6	23-0103	Pin 1-1/4" Dia. X 6" Long W/ 3/8" Hole	2
7		3/8 HHCS 3/8" -- 16 x 2 1/2"	8
8	23-0104	(60" & 66") #6 JIC Female, 1/4" NPT Male OAL 30-1/4"	2
8	23-0105	(72", 78" & 84") #6 JIC Female, 1/4" NPT Male OAL 36-1/4"	2
9	23-0106	(60" & 66") #6 JIC Female, 1/4" NPT Male OAL 39-3/4"	2
9	23-0107	(72", 78" & 84") #6 JIC Female, 1/4" NPT Male OAL 45-5/8"	2
10		3/8" Stover Lock Nut 3/8"-- 16	10
11	23-0108	(60" & 66") Hose Cover W/Step OAL 12"	1
11	23-0109	(72", 78" & 84") OAL 23-3/4"	1
12	23-0110	(60", 66", 72", 78", & 84") #6 JIC Female, 90' Elbow OAL 75"	2
13	6-8-CTX-S	(60", 66", 72", 78", & 84") #6 JIC Male, 1/2 NPT Female 90' Elbow	2
14	FEM- 502-8FP	Flat Face Male Quick Coupler 1/2" Female NPT	1
15	FEM- 501-8FP	Flat Face Female Quick Coupler 1/2" Female NPT	1
16	6 WJ TX-S	Bulkhead Branch Tee #6 JIC W/Nut 3/8" Male JIC	2
17	23-0111	60" GB Main Frame	1
17	23-0112	66" GB Main Frame	1
17	23-0113	72" GB Main Frame	1
17	23-0114	78" GB Main Frame	1
17	23-0115	84" GB Main Frame	1

Scrap Grapple Warning Decal Placement



Scrap Grapple – Rear View

#	Part Name	Description	Size	Part No.	Qty.
01	GB Warning Decal	Warning Before Operating Read Manual	2-1/2"H x 3-1/2"L	LF-01	1
02	GB Warning Decal	Warning Wear Eye Protection; Relieve Hydraulic Pressure	3-1/2"H x 3-1/2"L	LF-02	1
03	GB Warning Decal	Warning Pinch Point Stay Clear	2-1/2"H x 3-1/2"L	LF-03	1
04	GB Warning Decal	Warning Crush Hazard Stay Clear	3-1/2"H x 3-1/2"L	LF-04	1

Warning Decal 01	Warning Decal 02	Warning Decal 03	Warning Decal 04