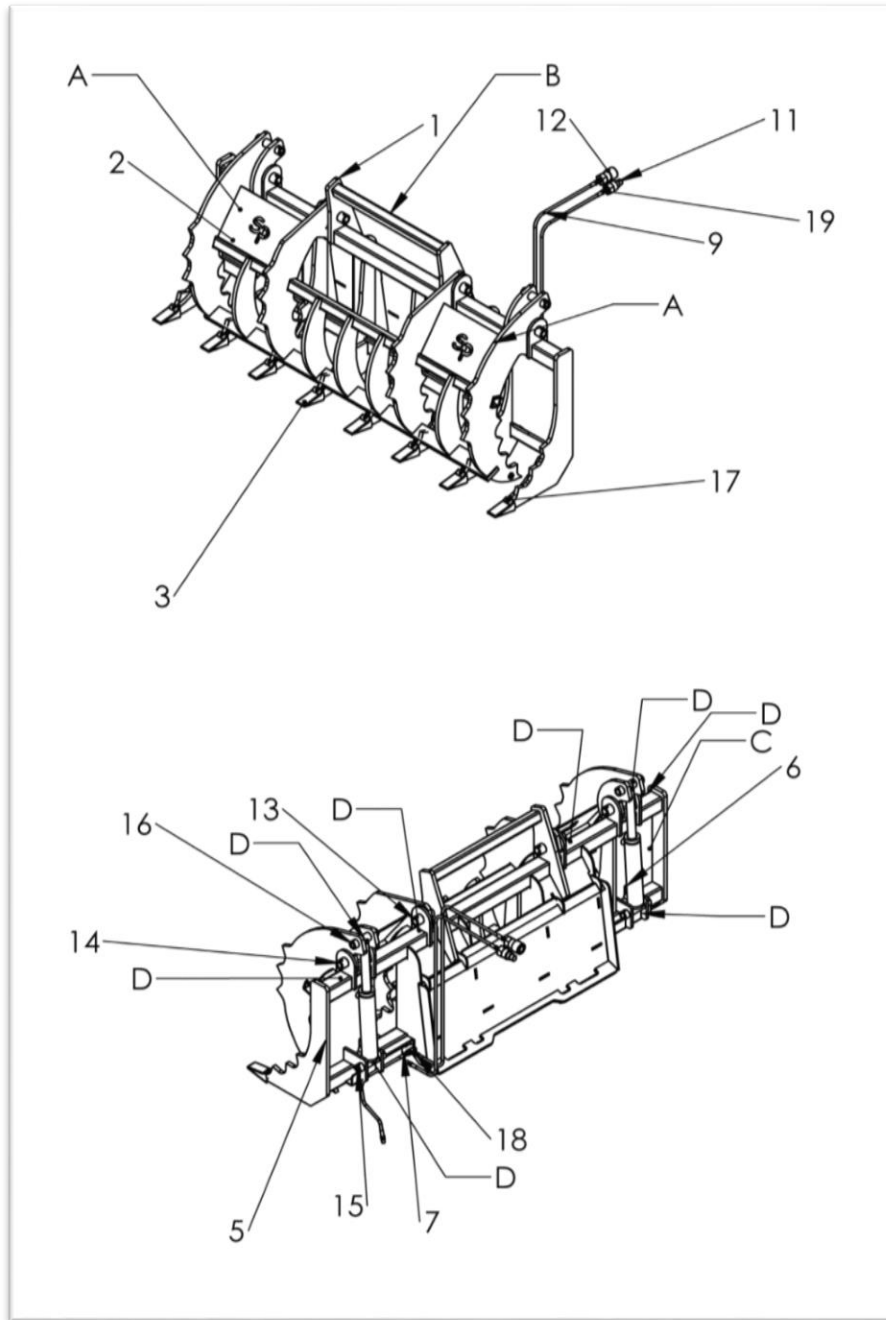


# 84" INDUSTRIAL GRAPPLE RAKE

## Detailed parts diagram B – 84" Industrial Grapple Rake



### Detailed Parts List B – 84” Industrial Grapple Rake

Ire #	Part Number	Description	Qty.
1	657-02-0001	Grapple Rake Bottom	1
2	657-02-0003	Grapple Rake Top	1
3	632-3-0013	Ripper Tooth	9
4	657-02-0006	32” Hose	2
6	657-02-0007	75” Hose	2
7	H250-FT10	Fitting	2
9	657-02-0009	72” Hose	2
10	657-02-0010	Cylinder	2
11	612-3-0071	Male Quick Coupler	1
12	612-3-0070	Female Quick Coupler	1
13	657-3-0035	Pin	2
14	657-3-0034	Pin	2
15	657-3-0033	Pin	2
16	657-3-0032	Pin	2
17	632-3-0014	Ripper Tooth Pin	8
18	H250-FT02	¼” NPT ST TEE	2
19	H250-FT1612	Fitting	2

### Detailed Parts List B - Warning Decals – 84” Industrial Grapple Rake

Letter	Part#	Description	Qty.
A	Decals-3-0015	Keep Hands Clear	2
B	Decals-3-0005	Skid Pro Logo	1
C	Decals-3-0055	Serial Number	1
D	Decals-3-0019	Grease Dailey	8