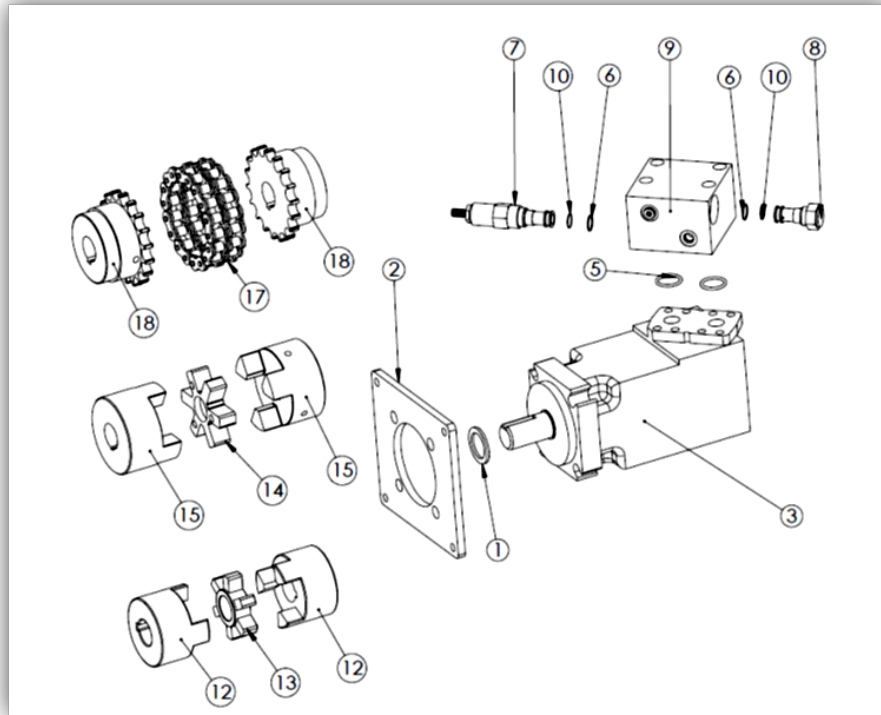


Stump Grinder S550 Motor Assembly Diagram C



Stump Grinder S550 Motor Assembly Parts List C

ITEM NO.	PART NUMBER	DESCRIPTION	QTY.
1	D001374	Cat Motor Spacer 1.25" Shaft	1
2	D001404	B Motor Mount	1
3	D001007	Char-Lynn 24 GPM Motor	1
4	D001009	Relief and Anti-Cav Assembly Valve Block	1
5	D001982	#214 O-Ring	2
6	D001981	#116 O-Ring	2
7	D001984	Pressure Relief Valve	1
8	D001983	Anti-Cavitation Check Valve	1
9	D001009	B-Mount Valve	1
10	D001987	#114 O-Ring	2
11	B2000	L110 Flex	1
12	B2012	Flex Hub L110 1.25"	1
13	B2013	L110 Flex	1
14	D002420	Flex L150 Hytel Insert	1
15	D002419	Flex Hub L150 - 1.25" Keyed	2
16	D004000	B-Mount Chain Coupler Assembly	1
17	D003996	B-Mount Chain for Chain Coupler	1
18	D003995	Chain Coupler Hub for B-Series Motor Option	2