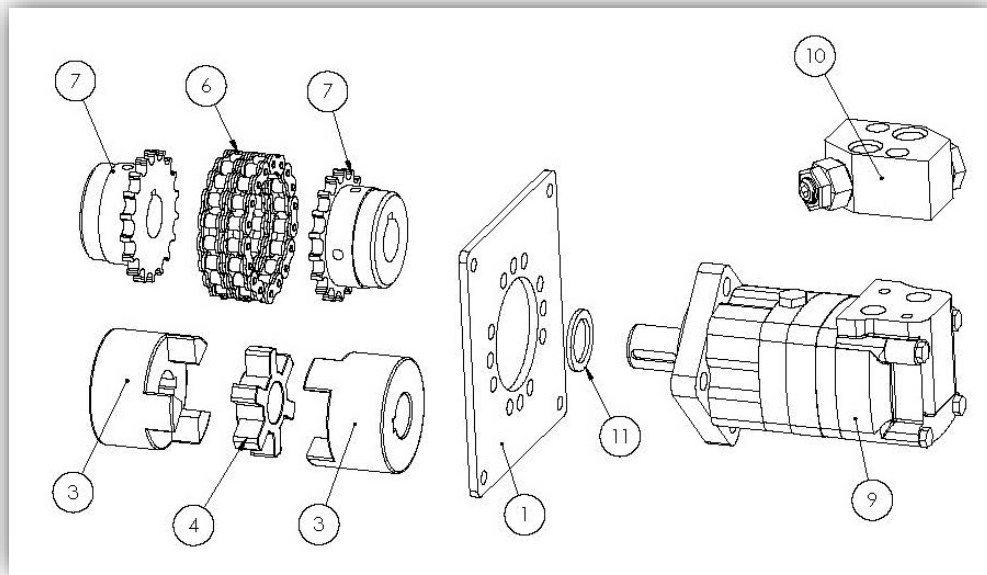


Stump Grinder S450 Motor Assembly Diagram B



Stump Grinder S450 Motor Assembly Parts List B

ITEM NO.	PART NUMBER	DESCRIPTION	QTY.
1	D001503	A-Motor Mount	1
2	B2000	L110 Flex	1
3	B2012	Flex Hub L110 1.25"	2
4	B2013	L110 Flex	1
5	D003999	A-Mount Chain Coupler Assembly	1
6	D003994	A-Mount Chain Coupler - Chain	1
7	D003993	Chain Coupler Hub for A-Series Motor Option	2
8	D004149	Complete Hydraulic Motor with Relief Block – A-Mount	1
9	D004147	Hydraulic Motor for A-Mount Options	1
10	D004148	Complete Relief Block for A-Mount Motor	1
11	D001374	Cat Motor Spacer 1.25" Shaft	1