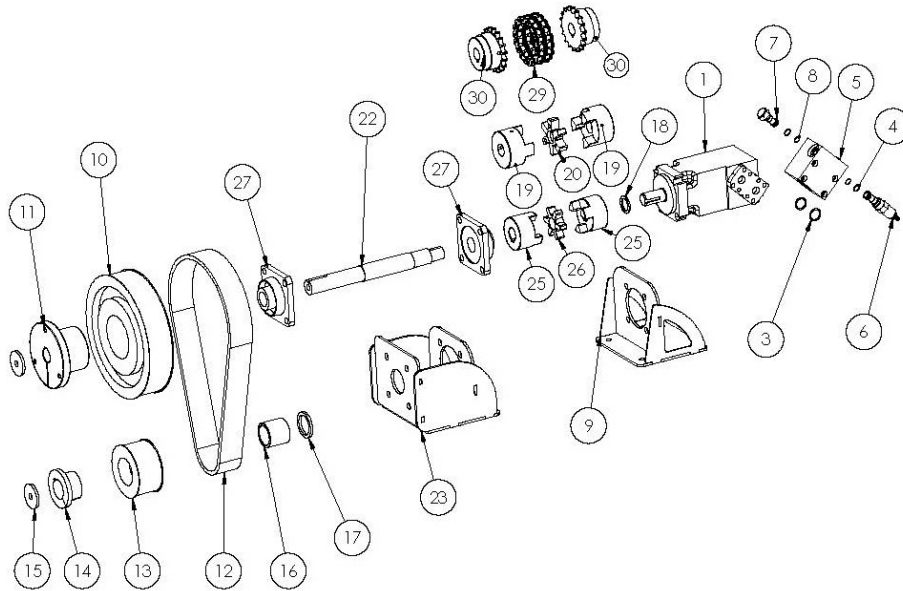


MULCHER – B550 MOTOR PACKAGE



ITEM NO.	PART NUMBER	DESCRIPTION	QTY.
1	D001007	Char-Lynn 24 GPM Motor	1
2	D001009		1
3	D001982	#214 O-Ring	2
4	D001981	#116 O-Ring	2
5	D001009	B-Mount Valve	1
6	D001984	Pressure Relief Valve	1
7	D001983	Anti-Cavitation Check Valve	1
8	D001987	#114 O-Ring	2
9	D001029	B Mount Weldment for MF548-A2	1
10	B2011	MF648 Big Timer Pulley	1
11	B2010	MF648 Big Timer Pulley Hub 1.5in	1
12	B2006	Timer Belt	1
13	B2009	MF648 Small Timer Pulley	1
14	B2008	Small Hub 2 Bore	1
15	D001361	Rotor Shaft Washer	2
16	D001085	Hub Spacer for 2" Rotor Shaft	1
17	D001345	2" Pulley Spacer	1
18	D002059	Seal for 1.25" Shaft -4000 Series CL Motor	1
19	D002419	Flex Hub L150 - 1.25" Keyed	2
20	D002420	Flex L150 Hytrel Insert	1
21	D001004	Jack Shaft for B550-MF548-A	1
22	D001005	MF548 & MX530 Jack Shaft	1
23	D001220	A & B Mount Jack Shaft Holder Sheet Metal	1
24	B2000	L110 Flex	1
25	B2012	Flex Hub L110 1.25"	2
26	B2013	L110 Flex	1
27	B2004	4 Bolt F208 1.5	2
28	D004000	B-Mount Chain Coupler Assembly	1
29	D003996	B-Mount Chain for Chain Coupler	1
30	D003995	Chain Coupler Hub for B-Series Motor Option	2